

PRODUCT CATALOGUE  
2009

MARBETT®  
SUPPORTING AND LEVELLING ELEMENTS



FlatTop Europe

**REXNORD**  
PRECISION. POWER. PERFORMANCE.



## SUPPORTING AND LEVELLING ELEMENTS

*Articulated Feet in Reinforced Polyamide* Page R8

*Articulated Feet Gripper* Page R28

*Articulated Feet in Steel* Page R40

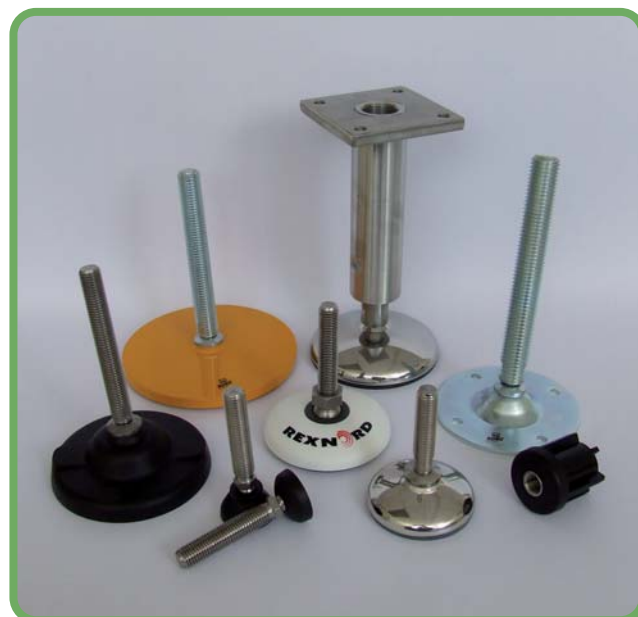
*Fixed Feet in Reinforced Polyamide and Rubber* Page R52

*Fixed Feet in Steel* Page R54

*Vibration absorbing Feet* Page R57

*Anti-Slip Supports* Page R58

*Threaded Bushings* Page R60



Page R0 - R66



### Main News

<b>Obsolete</b>	<b>Replacements</b>		<b>Page</b>
<b>Articulated Feet</b>			
Part. <b>R0170 - R0170R</b>	Part. <b>R0869</b>	<b>New</b>	R24
Part. <b>R0171 - R0171R</b>	Part. <b>R0869</b>	<b>New</b>	R24
Part. <b>R0254</b>	Part. <b>R0869</b>	<b>New</b>	R24
Part. <b>R0172</b>	Part. <b>R0323</b>		R18 - R19
Part. <b>R0132 - R0132R</b>	Part. <b>R0133</b>		R20 - R21
Part. <b>R0292</b>	Part. <b>R0628</b>		R36 - R37
<b>Feet in Steel</b>			
Part. <b>R0546</b>	Part. <b>R0747</b>		R44
Part. <b>R0547</b>	Part. <b>R0748</b>		R44
Part. <b>R0548</b>	Part. <b>R0749</b>		R44
Part. <b>R0549</b>	Part. <b>R0627</b>		R30 - R31
Part. <b>R0349</b>	Part. <b>R0349</b>	<b>New Design</b>	R42
Part. <b>R0351</b>	Part. <b>R0351</b>	<b>New Design</b>	R40
Part. <b>R0408</b>	Part. <b>R0408</b>	<b>New Design</b>	R43
Part. <b>R0441</b>	Part. <b>R0441</b>	<b>New Design</b>	R41
<b>Out of production</b>			
Part. <b>R0602</b>			
Part. <b>R0675</b>			
Part. <b>R0745</b>			
Part. <b>R0753</b>			

## ARTICULATED FEET in reinforced polyamide

Pag. R8 - R27



## ARTICULATED FEET GRIPPER in reinforced polypropylene and stainless steel

Pag. R28 - R39



## ARTICULATED FEET in steel

Pag. R40 - R51



## FIXED FEET in reinforced polyamide and reinforced rubber

Pag. R52 - R53



**FIXED FEET**  
in steel

Pag. R54 - R56



**VIBRATION ABSORBING FEET**  
in steel

Pag. R57



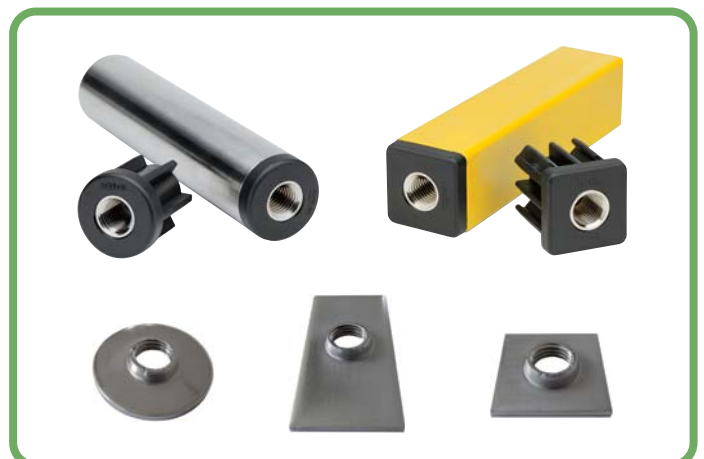
**ANTI-SLIP SUPPORTS**  
in steel and rubber

Pag. R58 - R59



**THREADED BUSHINGS**  
for round and square tubes

Pag. R60 - R63



**ARTICULATED FEET in reinforced polyamide**



Part. R0269 - Pag. R8 - R9  
Ø 40 • Max. load 10000 N.



Part. R0552 - Pag. R10 - R11  
Ø 40 • Max. load 5000 N.



Part. R0173 - Pag. R12 - R13  
Ø 50 • Max. load 10000 N.



Part. R0098 - Pag. R14 - R15  
Ø 60 • Max. load 12000 N.



Part. R0094 - Pag. R16 - R17  
Ø 60 • Prefitting for fixing  
• Max. load 12000 N.



Part. R0323 - Pag. R18 - R19  
Ø 80 • Prefitting for fixing  
• Max. load 10000 N.



Part. R0133 - Pag. R20 - R21  
Ø 100 • Prefitting for fixing  
• Max. load 13000 N.



Part. R0479 - Pag. R22 - R23  
Ø 110 • Prefitting for fixing  
• Max. load 20000 N.



Part. R0869 - Pag. R24  
Ø 124 • Prefitting for fixing  
• Max. load 45000 N.



Part. R0169 - Pag. R25  
Ø 124 • Prefitting for fixing  
• Max. load 45000 N.



Part. R0134 - Pag. R26  
Ø 100 • Prefitting for fixing  
• Max. load 20000 N.



Part. R0297 - Pag. R27  
Ø 124 • Prefitting for fixing  
• Max. load 45000 N.



Part. R0726 - Pag. R24 - R25 - R27  
Ø 170 • Spacer for  
Part. R0869 - R0169 - R0297.

**ARTICULATED FEET GRIPPER in reinforced polypropylene**



Part. R0626 - Pag. R28 - R29  
Ø 80 • Hygiene  
• Customized with logo  
• Max. load 12000 N.



Part. R0622 - Pag. R32 - R33  
Ø 100 • Hygiene  
• Customized with logo  
• Max. load 19500 N.



Part. R0628 - Pag. R36 - R37  
Ø 120 • Hygiene  
• Customized with logo  
• Max. load 22000 N.

**ARTICULATED FEET GRIPPER in stainless steel**



Part. R0627 - Pag. R30 - R31  
Ø 80 • Hygiene  
• Customized with logo  
• Max. load 12000 N.



Part. R0623 - Pag. R34 - R35  
Ø 100 • Hygiene  
• Customized with logo  
• Max. load 19500 N.



Part. R0629 - Pag. R38 - R39  
Ø 120 • Hygiene  
• Customized with logo  
• Max. load 22000 N.

Product range

**ARTICULATED  
FEET  
in  
steel**



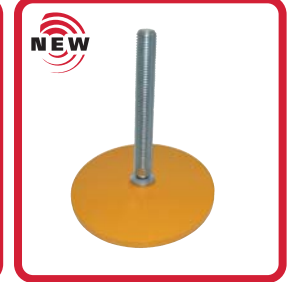
Part. R0351 - Pag. R40  
Ø 123 • Stainless steel and  
zinc plated steel  
• Max. load 10000 N.



Part. R0441 - Pag. R41  
• Zinc plated steel  
• Max. load 10000 N.



Part. R0349 - Pag. R42  
Ø 123 • N. 4 holes • Stainless  
steel and zinc plated steel  
• Max. load 10000 N.



Part. R0408 - Pag. R43  
Ø 160 • Painted steel  
• Max. load 50000 N.



Part. R0747 - Pag. R44  
Ø 80 • Stainless steel  
• Hygiene • Max. load 25000 N.



Part. R0748 - Pag. R44  
Ø 100 • Stainless steel  
• Hygiene • Max. load 25000 N.



Part. R0749 - Pag. R44  
Ø 120 • Stainless steel  
• Hygiene • Max. load 25000 N.



Part. R0747F - Pag. R45  
Ø 80 • Stainless steel  
• Hygiene • Prefitting for fixing  
• Max. load 25000 N.



Part. R0748F - Pag. R45  
Ø 100 • Stainless steel  
• Hygiene • Prefitting for fixing  
• Max. load 25000 N.



Part. R0750 - Pag. R46  
Ø 80 • Stainless steel  
• Hygiene • Max. load 12000 N.



Part. R0751 - Pag. R46  
Ø 100 • Stainless steel  
• Hygiene • Max. load 12000 N.



Part. R0752 - Pag. R46  
Ø 120 • Stainless steel  
• Hygiene • Max. load 12000 N.



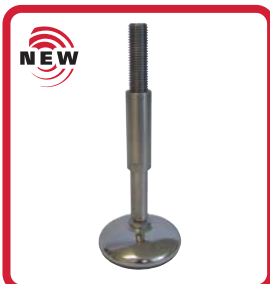
Part. R0750F - Pag. R47  
Ø 80 • Stainless steel  
• Hygiene • Prefitting for fixing  
• Max. load 12000 N.



Part. R0751F - Pag. R47  
Ø 100 • Stainless steel  
• Hygiene • Prefitting for fixing  
• Max. load 12000 N.



Part. R0750S - Pag. R48  
Ø 80 • Stainless steel  
• Hygiene • Max. load 25000 N.



Part. R0751S - Pag. R48  
Ø 100 • Stainless steel  
• Hygiene • Max. load 50000 N.



Part. R0752S - Pag. R48  
Ø 120 • Stainless steel  
• Hygiene • Max. load 50000 N.



Part. R0750SF - Pag. R49  
Ø 80 • Stainless steel  
• Hygiene • Prefitting for fixing  
• Max. load 25000 N.



Part. R0751SF - Pag. R49  
Ø 100 • Stainless steel  
• Hygiene • Prefitting for fixing  
• Max. load 50000 N.



Part. R0749 - Pag. R50  
Ø 120 • Stainless steel  
• Hygiene • Max. load 50000 N.



Part. R0773 - Pag. R51  
Ø 120 • Stainless steel  
• Hygiene • Max. load 80000 N.

**FIXED FEET**  
in reinforced polyamide and reinforced rubber



Part. R0600 - Pag. R52  
Ø 50 • Reinforced polyamide  
• Max. load 2000 N.



Part. R0031 - Pag. R53  
Ø 110 • Rubber  
• Max. load 6000 N.

**FIXED FEET**  
in steel



Part. R0403 - Pag. R54  
Ø 100 • Painted steel  
• Max. load 50000 N.



Part. R0528 - Pag. R54  
Ø 100 • Painted steel  
• Max. load 50000 N.



Part. R0406 - Pag. R55  
Ø 123 • Painted steel  
• Max. load 50000 N.



Part. R0529 - Pag. R55  
Ø 123 • Painted steel  
• Max. load 50000 N.



Part. R0383 - Pag. R56  
Ø 40 • Stainless steel  
• Hygiene • Max. load 7000 N.



Part. R0384 - Pag. R56  
Ø 65 • Stainless steel  
• Hygiene • Max. load 12000 N.



Part. R0399 - Pag. R56  
Ø 90 • Stainless steel  
• Hygiene • Max. load 11000 N.



Part. R0385 - Pag. R56  
Ø 110 • Stainless steel  
• Hygiene • Max. load 10000 N.

**VIBRATION ABSORBING FEET**  
in steel



Part. R0701 - Page R57  
Ø 80 • Zinc plated steel/zinc plated steel painted.



Part. R0702 - Page R57  
Ø 120 • Zinc plated steel/zinc plated steel painted.



Part. R0703 - Page R57  
Ø 160 • Zinc plated steel/zinc plated steel painted.

**ANTI-SLIP SUPPORTS**  
in steel and rubber



Part. R0230 - Page R58  
Ø 100 • Stainless steel/nickel plated steel  
• Max. load 10000 N.



Part. R0404 - Page R58  
Ø 100 • Painted steel  
• Max. load 5000 N.



Part. R0055 - Page R59  
Ø 110 • Rubber with steel insert  
• Max. load 6000 N.



Part. R0187 - Page R59  
Ø 123 • Rubber with painted steel insert  
• Max. load 20000 N.



## Product range



**Part. R0407** - Page R58 - R59  
Spindle for Part. 230 - 404 - 55  
- 187 • Zinc plated steel.

### **THREADED BUSHINGS for round and square tubes**



**Part. R0180** - Page R60  
For round tubes Ø 26,9-30-  
33,7-38-42,4-48,3-54-60,3  
mm and 1,5" - 2."



**Part. R0224** - Page R61  
For square tubes 30-35-40-  
50 mm and 1,5" - 2."



**Part. S0713** - Page R62  
For round tubes Ø 26,9-30-  
33,7-38-42,4-48,3-54-60,3  
mm and 1,5" - 2."



**Part. S0713** - Page R63  
For square tubes 30-35-40-  
50 mm and 1,5" - 2."



**Part. S0714** - Page R63  
For square tubes 30-35-40-  
50 mm and 1,5" - 2."

## SPINDLE MATERIALS

### Stainless steel

- Austenitic structure.
- High resistance to chemicals.
- Excellent resistance to oxidation.
- Non magnetic steel.
- Operating temperature :  
in air (- 70°C to + 430°C)  
in hot water (+ 120°C)
- Sectors of use  
Humid and corrosive environments. Environments where hygiene regulations are strict and indispensable (food and dairy industry, chemicals-pharmaceuticals, bottling).  
Electronics industry (where non-magnetic properties are required).

### Zinc plated steel

- Operating temperature :  
in air (- 40°C to + 180°C)  
in hot water (+ 120°C)
- Sectors of use  
Moisture-free environments with low corrosion.

### Nickel plated brass

- Good resistance to chemicals.
- Operating temperature :  
in air (- 40°C to + 180°C)  
in hot water (+ 120°C)
- Sectors of use  
Humid and wet environments.

### Reinforced polyamide with steel pin

- Good resistance to chemicals.
- Operating temperature :  
in air (- 5°C to + 120°C)  
in hot water (+ 100°C)
- Colour: black.
- Sectors of use Industrial, packaging.

## FOOTPLATE MATERIALS

### Reinforced polyamide PA FV

- Good mechanical strength.  
Able to withstand high load capacities.
- High thermal resistance.
- Good resistance to chemicals.
- Operating temperature:  
in air (- 30°C to + 120°C)  
in hot water (+ 100°C)
- Colour : black.
- Inflammability : 94HB.

### Reinforced polypropylene PP FV

- Recommended in applications requiring high resistance to chemicals and fair mechanical properties (the load capacity is lower than reinforced polyamide).
- Operating temperature :  
in air (+ 5°C to + 115°C)  
in hot water (+ 115°C)
- Colour : black.
- Inflammability : 94HB.

## ANTI-SLIP MATERIALS

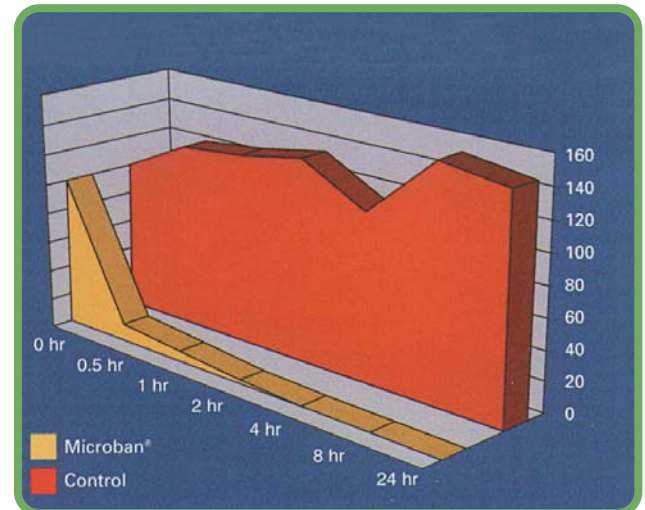
### NBR rubber

- Operating temperature :  
in air (- 35°C to + 100°C)  
in hot water (+ 80°C)
- Colour : black.
- Inflammability : 94HB

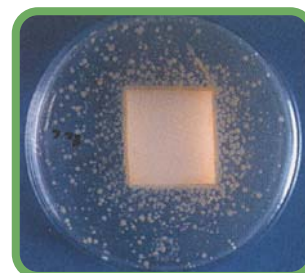
## ANTIBACTERIAL PROTECTION



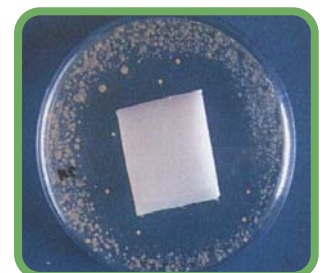
- Articulated Feet Gripper footplates Part.622-623-626-627-628-629, are supplied with Microban® antibacterial protection.
- By penetrating the cell wall of bacteria Microban® inhibits the growth of most common food poisoning bacteria, such as E.coli, Salmonella, Listeria, S-aureus, Campylobacter, which can cause contamination and odour.
- Independent laboratory tests have proven Microban® to be effective throughout the lifetime of the product. Because it is built-in, it is working all-over.
- The active agent used in Microban® technology has been recommended for approval in food contact uses by the European Union Scientific Committee for Food (SCF); in the United States the Environmental Protection Agency (EPA) has approved it for use in conveyor belts.



Bacteria E.coli in Microban® plastic compound compared to identical untreated plastic.



Without protection, growth of bacteria on and around the product.



With Microban®, absence of bacteria on and around the product.

In this new catalogue we have included some new graphic and visual features to aid in the correct component identification. These features are designed to make the catalogue more intuitive and also highlight the Rexnord recommendation for prompt availability.

The page layout is as follows.


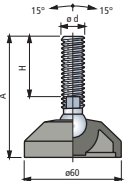
- Best choice
- 1 ● Standard
- On request : Minimum quantity may apply or can be available at our distributors.

2 Spindle Material.

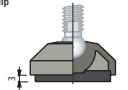
3 Reinforced series : right side of the catalogue.

4 Complete item Code = Part. + Code = R0098 + 626683 = R0098626683.

**4** Part. R0098

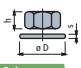



Accessories  
Anti-slip



- Code : R000630022.  
- Material : NBR rubber ( black ), 70 Shore.  
- Assembly : press-fit.  
- Packaging : 24 pieces

Nut + Washer



Code

Stainless steel	Zinc plated steel	h	ød	s
mm	mm	mm	mm	mm
M12 R0000630192	R0000630122	10	19	24 2,5
M14 R0000630202	R0000630132	11	22	28 2,5
M16 R0000630212	R0000630142	13	24	30 3
M20 R0000630222	R0000630152	16	30	37 3
M24 R0000630232	R0000630162	19	36	44 4

Packaging : 8 pieces.

**Articulated Feet**  
in reinforced polyamide


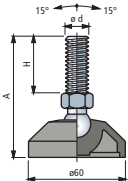
Best choice  
Standard  
On request

Spindle type

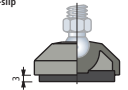
Code	feet supplied	without assembly
<b>Spindle in stainless steel</b>		
M12	90 55 1 - - - 10	626683
	135 100 1 - - - 10	626683
	185 150 1 - - - 10	626703
M14	110 76 - 1a - - 11	626002
	135 100 - 1a - - 11	626713
	185 150 - 1a - - 11	626723
	100 64 - 1a - - 13	626012
M16	115 81 - 1a - - 13	626022
	160 124 - 1a - - 13	626032
	185 151 - 1a - - 13	626042
	205 169 - 1a - - 13	621283
	225 190 - 1a - - 13	621313
M20	120 84 - 1a - - 16	626052
	185 149 - 1a - - 16	626062
	245 208 - 1a - - 16	621293
M24	120 79 - 1a - - 19	626733
	185 146 - 1a - - 19	626072
	220 179 - 1a - - 19	626743
	250 200 - 1a - - 19	621303
<b>Spindle in zinc plated steel</b>		
M12	105 70 1 - - - 10	626753
M14	90 56 - 1a - - 11	626092
	85 48 - 1a - - 13	626763
	95 61 - 1a - - 13	626102
	120 96 - 1a - - 13	626112
	150 116 - 1a - - 13	626122
M16	165 131 - 1a - - 13	621343
	185 151 - 1a - - 13	626132
	200 165 - 1a - - 13	621353
	235 201 - 1a - - 13	626773
	115 74 - 1a - - 16	626783
M20	135 100 - 1a - - 16	626142
	150 113 - 1a - - 16	621323
	185 150 - 1a - - 16	626152
	250 214 - 1a - - 16	626162
	120 81 - 1a - - 19	626172
M24	185 146 - 1a - - 19	626182
	320 288 - 1a - - 19	626793
<b>Spindle in reinforced polyamid ( black ) with steel pin</b>		
M16	100 54 - - - 3 24	61920
M20	120 69 - - - 3 30	61540
	180 129 - - - 3 30	61530

Item code for order = Part. + Code  
- Footplate material : reinforced polyamide PA FV ( black ).  
- Note : for spindles type 1 ball in reinforced polyamide.  
- Packaging : 24 pieces.  
- Anti-slip supplied separately.  
- On request different length.  
- Fmax. = maximum applicable load in static conditions.

**3** Part. R0098 Reinforced version

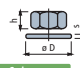



Accessories  
Anti-slip



- Code : R000630022.  
- Material : NBR rubber ( black ), 70 Shore.  
- Assembly : press-fit.  
- Packaging : 24 pieces

Nut + Washer



Code

Stainless steel	Zinc plated steel	h	ød	s
mm	mm	mm	mm	mm
M12 R0000630192	R0000630122	10	19	24 2,5
M14 R0000630202	R0000630132	11	22	28 2,5
M16 R0000630212	R0000630142	13	24	30 3
M20 R0000630222	R0000630152	16	30	37 3
M24 R0000630232	R0000630162	19	36	44 4

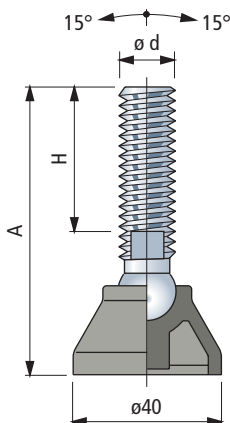
Packaging : 8 pieces.



# Articulated Feet in reinforced polyamide

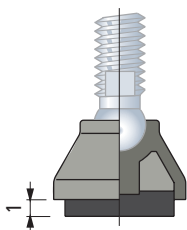
- ✔ **Best choice**
- ✔ **Standard**
- **On request**

Part. **R0269**



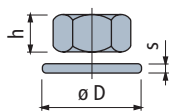
■ **Accessories**

**Anti-slip**



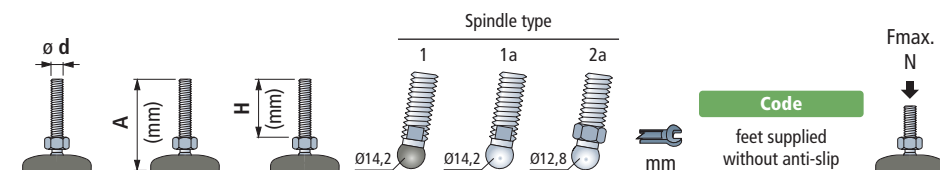
- Code : R0000630002.
- Material : NBR rubber ( black ), 70 Shore.
- Assembly : press-fit.
- Packaging : 48 pieces

**Nut + Washer**



	Code		h mm	mm	øD mm	s mm
	Stainless steel AISI 304	Zinc plated steel				
M8	-	R0000630102	6,5	13	17	1,6
M10	R0000630182	R0000630112	8	17	21	2
M12	R0000630192	R0000630122	10	19	24	2,5
M14	R0000630202	R0000630132	11	22	28	2,5
M16	R0000630212	R0000630142	13	24	30	3

Packaging : 24 pieces ( for M8, M10 ).  
8 pieces ( for M12, M14, M16 ).



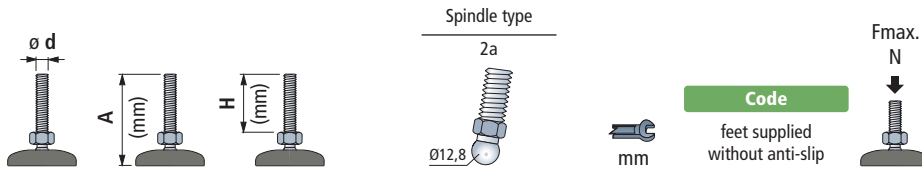
Spindle in stainless steel								
			Spindle type				Code	
			1	1a	2a	mm	feet supplied without anti-slip	
M10	105	70	1	-	-	8	626503	
M12	105	70	1	-	-	10	626513	8000
	165	130	1	-	-	10	626523	
M14	100	70	-	1a	-	13	626533	
M16	105	81	-	1a	-	13	626543	10000
	165	124	-	1a	-	13	626553	

Spindle in zinc plated steel								
			Spindle type				Code	
			1	1a	2a	mm	feet supplied without anti-slip	
M8	70	40	-	-	2a	12	625062	
	65	33	-	-	2a	12	625072	
M10	105	71	-	-	2a	12	625082	
	150	118	-	-	2a	12	625092	
M12	80	48	-	-	2a	12	625102	10000
	100	69	-	-	2a	12	625112	
	130	96	-	-	2a	12	625122	
M14	100	68	-	-	2a	13	625132	
	80	47	-	-	2a	15	625142	
M16	100	67	-	-	2a	15	625152	
	200	167	-	-	2a	15	625162	

- Item code for order = Part. + Code**
- Footplate material : reinforced polyamide PA FV ( black ).
  - Note : for spindles type 1 ball in reinforced polyamide.
  - Packaging : 48 pieces.
  - Anti-slip supplied separately.
  - On request different length.
  - Fmax. = maximum applicable load in static conditions.

- **Best choice**
- **Standard**
- ✓ **On request**

**Part. R0269**

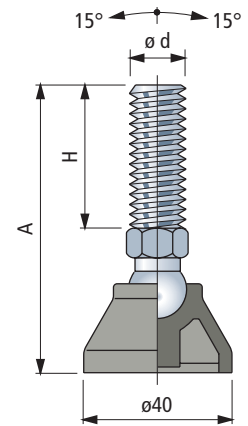


Spindle in stainless steel					
M10	105	71	2a	12	625002
M12	100	69	2a	12	625012
	165	132	2a	12	625022
M14	100	68	2a	13	625032
M16	105	72	2a	15	625042
	165	132	2a	15	625052

10000

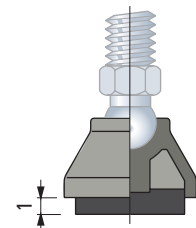
**Item code for order = Part. + Code**

- Footplate material : reinforced polyamide PA FV ( black ).
- Packaging : 48 pieces.
- Anti-slip supplied separately.
- On request different length.
- $F_{max.}$  = maximum applicable load in static conditions.



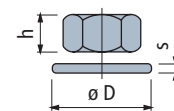
■ **Accessories**

**Anti-slip**



- Code : **R0000630002**.
- Material : NBR rubber ( black ), 70 Shore.
- Assembly : press-fit.
- Packaging : 48 pieces

**Nut + Washer**



Code		h		$\varnothing D$	s
Stainless steel AISI 304	Zinc plated steel	mm	mm	mm	mm
M8	-	R0000630102	6,5	13	17 1,6
M10	R0000630182	R0000630112	8	17	21 2
M12	R0000630192	R0000630122	10	19	24 2,5
M14	R0000630202	R0000630132	11	22	28 2,5
M16	R0000630212	R0000630142	13	24	30 3

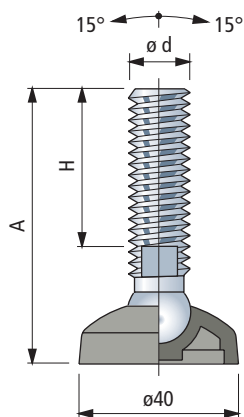
Packaging : 24 pieces ( for M8, M10 ).  
8 pieces ( for M12, M14, M16 ).



# Articulated Feet in reinforced polyamide

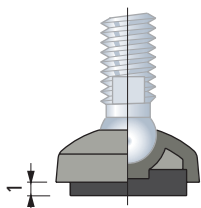
- ✔ **Best choice**
- ✔ **Standard**
- **On request**

Part. **R0552**



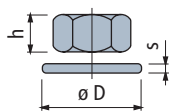
■ **Accessories**

**Anti-slip**



- Code : R0000630002.
- Material : NBR rubber ( black ), 70 Shore.
- Assembly : press-fit.
- Packaging : 48 pieces

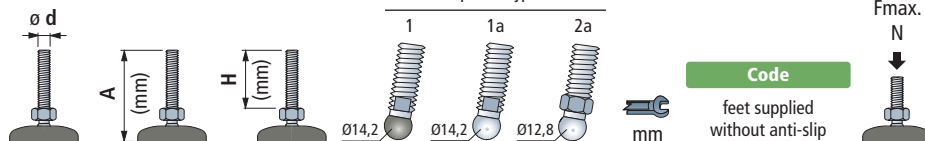
**Nut + Washer**



	Code		h mm	mm	ØD mm	s mm
	Stainless steel AISI 304	Zinc plated steel				
M8	-	R0000630102	6,5	13	17	1,6
M10	R0000630182	R0000630112	8	17	21	2
M12	R0000630192	R0000630122	10	19	24	2,5
M14	R0000630202	R0000630132	11	22	28	2,5
M16	R0000630212	R0000630142	13	24	30	3

Packaging : 24 pieces ( for M8, M10 ).  
8 pieces ( for M12, M14, M16 ).

Spindle type



**Spindle in stainless steel**

M	A (mm)	H (mm)	1	1a	2a	mm	Code	Fmax. N ↓
M10	95	70	1	-	-	8	626563	
M12	95	70	1	-	-	10	626573	
	155	130	1	-	-	10	626583	
M14	90	70	-	1a	-	13	626593	
M16	95	81	-	1a	-	13	626603	
	155	124	-	1a	-	13	626613	

**Spindle in zinc plated steel**

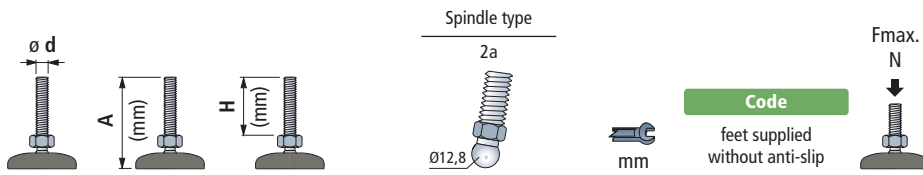
M	A (mm)	H (mm)	1	1a	2a	mm	Code	Fmax. N ↓
M8	60	40	-	-	2a	12	625562	
	55	33	-	-	2a	12	625572	
M10	95	71	-	-	2a	12	625582	
	140	118	-	-	2a	12	625592	
M12	70	48	-	-	2a	12	625602	
	90	69	-	-	2a	12	625612	
M12	120	96	-	-	2a	12	625622	
	90	68	-	-	2a	13	625632	
M14	70	47	-	-	2a	15	625642	
	90	67	-	-	2a	15	625652	
M16	190	167	-	-	2a	15	625662	

**Item code for order = Part. + Code**

- Footplate material : reinforced polyamide PA FV ( black ).
- Note : for spindles type 1 ball in reinforced polyamide.
- Packaging : 48 pieces.
- Anti-slip supplied separately.
- On request different length.
- Fmax. = maximum applicable load in static conditions.

- Best choice
- Standard
- ✓ On request

Part. **R0552**

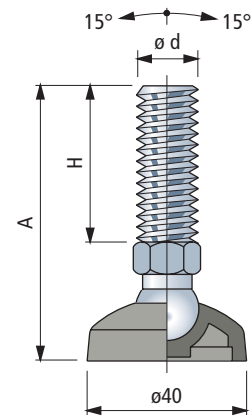


Spindle in stainless steel					
M10	95	71	2a	12	625502
M12	90	69	2a	12	625512
	155	132	2a	12	625522
M14	90	68	2a	13	625532
M16	95	72	2a	15	625542
	155	132	2a	15	625552

5000

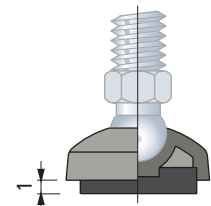
**Item code for order = Part. + Code**

- Footplate material : reinforced polyamide PA FV ( black ).
- Packaging : 48 pieces.
- Anti-slip supplied separately.
- On request different length.
- $F_{max.}$  = maximum applicable load in static conditions.



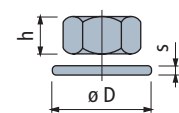
■ Accessories

**Anti-slip**



- Code : R0000630002.
- Material : NBR rubber ( black ), 70 Shore.
- Assembly : press-fit.
- Packaging : 48 pieces

**Nut + Washer**



Code		h		$\varnothing D$	s
Stainless steel AISI 304	Zinc plated steel	mm	mm	mm	mm
M8	-	R0000630102	6,5	13	17 1,6
M10	R0000630182	R0000630112	8	17	21 2
M12	R0000630192	R0000630122	10	19	24 2,5
M14	R0000630202	R0000630132	11	22	28 2,5
M16	R0000630212	R0000630142	13	24	30 3

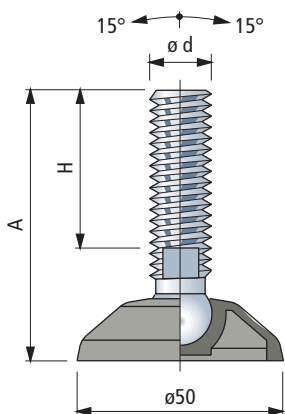
Packaging : 24 pieces ( for M8, M10 ).  
8 pieces ( for M12, M14, M16 ).



# Articulated Feet in reinforced polyamide

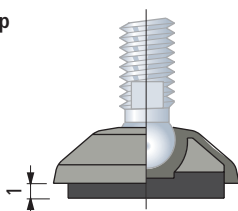
- ✔ Best choice
- ✔ Standard
- On request

Part. **R0173**



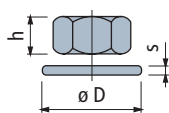
■ Accessories

Anti-slip



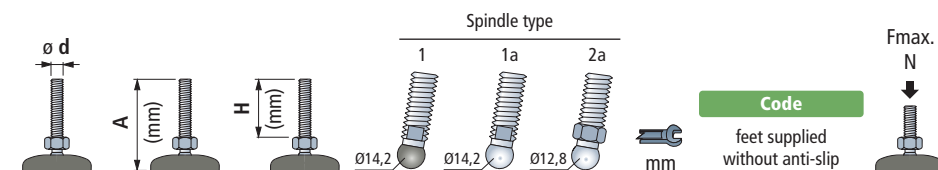
- Code : R000630012.
- Material : NBR rubber ( black ), 70 Shore.
- Assembly : press-fit.
- Packaging : 24 pieces

Nut + Washer



	Code		h mm	s mm	øD mm	s mm
	Stainless steel AISI 304	Zinc plated steel				
M8	-	R000630102	6,5	13	17	1,6
M10	R000630182	R000630112	8	17	21	2
M12	R000630192	R000630122	10	19	24	2,5
M14	R000630202	R000630132	11	22	28	2,5
M16	R000630212	R000630142	13	24	30	3

Packaging : 24 pieces ( for M8, M10 ).  
8 pieces ( for M12, M14, M16 ).



Spindle in stainless steel								
M10	95	70	1	-	-	8	<b>626623</b>	8000
M12	95	70	1	-	-	10	<b>626633</b>	
	155	130	1	-	-	10	<b>626643</b>	
M14	90	70	-	1a	-	13	<b>626653</b>	10000
M16	95	81	-	1a	-	13	<b>626663</b>	
	155	124	-	1a	-	13	<b>626673</b>	

Spindle in zinc plated steel								
M8	60	40	-	-	2a	12	<b>625312</b>	10000
	55	33	-	-	2a	12	<b>625322</b>	
M10	95	71	-	-	2a	12	<b>625332</b>	
	140	118	-	-	2a	12	<b>626342</b>	
M12	70	48	-	-	2a	12	<b>626352</b>	
	90	69	-	-	2a	12	<b>625362</b>	
	120	96	-	-	2a	12	<b>625372</b>	
M14	90	68	-	-	2a	13	<b>625382</b>	
	70	47	-	-	2a	15	<b>625392</b>	
M16	90	67	-	-	2a	15	<b>625402</b>	
	190	167	-	-	2a	15	<b>625412</b>	

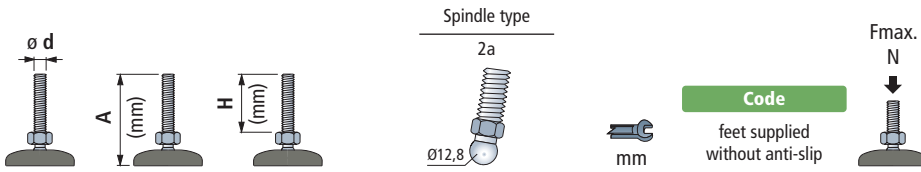
Item code for order = Part. + Code

- Footplate material : reinforced polyamide PA FV ( black ).
- Note : for spindles type 1 ball in reinforced polyamide.
- Packaging : 24 pieces.
- Anti-slip supplied separately.
- On request different length.
- Fmax. = maximum applicable load in static conditions.



- **Best choice**
- **Standard**
- ✓ **On request**

**Part. R0173**

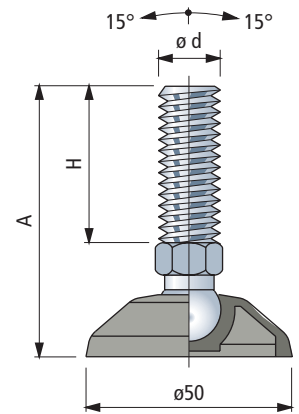


**Spindle in stainless steel**

Spindle	A (mm)	H (mm)	Spindle type	mm	Code	10000
M10	95	71	2a	12	625252	
M12	90	69	2a	12	625262	
	155	132	2a	12	625272	
M14	90	68	2a	13	625282	
M16	95	72	2a	15	625292	
	155	132	2a	15	625302	

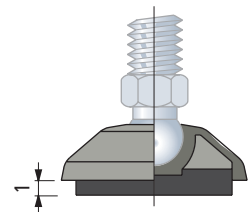
**Item code for order = Part. + Code**

- Footplate material : reinforced polyamide PA FV ( black ).
- Packaging : 24 pieces.
- Anti-slip supplied separately.
- On request different length.
- $F_{max.}$  = maximum applicable load in static conditions.



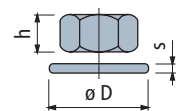
■ **Accessories**

**Anti-slip**



- Code : **R0000630012**.
- Material : NBR rubber ( black ), 70 Shore.
- Assembly : press-fit.
- Packaging : 24 pieces

**Nut + Washer**



Code		h	mm	mm	mm	mm
Stainless steel AISI 304	Zinc plated steel	mm	mm	mm	mm	mm
M8	-	<b>R0000630102</b>	6,5	13	17	1,6
M10	<b>R0000630182</b>	<b>R0000630112</b>	8	17	21	2
M12	<b>R0000630192</b>	<b>R0000630122</b>	10	19	24	2,5
M14	<b>R0000630202</b>	<b>R0000630132</b>	11	22	28	2,5
M16	<b>R0000630212</b>	<b>R0000630142</b>	13	24	30	3

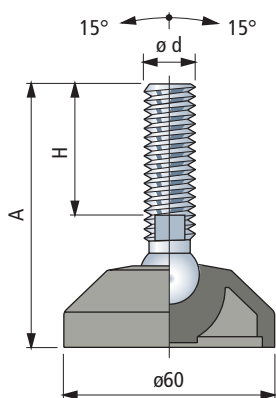
- Packaging : 24 pieces ( for M8, M10 ).
- 8 pieces ( for M12, M14, M16 ).



# Articulated Feet in reinforced polyamide

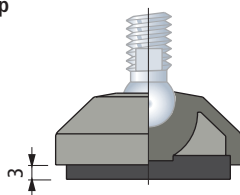
- ✔ **Best choice**
- ✔ **Standard**
- **On request**

Part. **R0098**



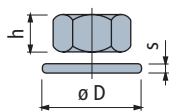
■ **Accessories**

**Anti-slip**



- Code : R000630022.
- Material : NBR rubber ( black ), 70 Shore.
- Assembly : press-fit.
- Packaging : 24 pieces

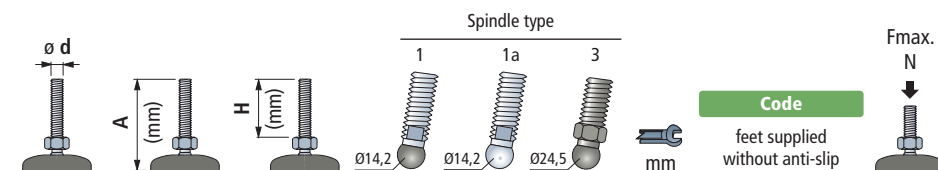
**Nut + Washer**



**Code**

	Stainless steel AISI 304	Zinc plated steel	h mm	mm	$\phi D$ mm	s mm
M12	R000630192	R000630122	10	19	24	2,5
M14	R000630202	R000630132	11	22	28	2,5
M16	R000630212	R000630142	13	24	30	3
M20	R000630222	R000630152	16	30	37	3
M24	R000630232	R000630162	19	36	44	4

Packaging : 8 pieces.



Spindle in stainless steel								
M12	90	55	1	-	-	10	626683	8000
	135	100	1	-	-	10	626693	
	185	150	1	-	-	10	626703	
M14	110	76	-	1a	-	11	626002	10000
	135	100	-	1a	-	11	626713	
	185	150	-	1a	-	11	626723	
M16	100	64	-	1a	-	13	626012	
	115	81	-	1a	-	13	626022	
	160	124	-	1a	-	13	626032	
	185	151	-	1a	-	13	626042	
	205	169	-	1a	-	13	621283	
M20	225	190	-	1a	-	13	621313	
	120	84	-	1a	-	16	626052	
	185	149	-	1a	-	16	626062	
M24	245	208	-	1a	-	16	621293	
	120	79	-	1a	-	19	626733	
	185	146	-	1a	-	19	626072	
M24	220	179	-	1a	-	19	626743	
	250	209	-	1a	-	19	621303	

Spindle in zinc plated steel								
M12	105	70	1	-	-	10	626753	8000
M14	90	56	-	1a	-	11	626092	10000
	85	48	-	1a	-	13	626763	
	95	61	-	1a	-	13	626102	
	130	96	-	1a	-	13	626112	
	150	116	-	1a	-	13	626122	
	165	131	-	1a	-	13	621343	
	185	151	-	1a	-	13	626132	
	200	165	-	1a	-	13	621353	
M16	235	201	-	1a	-	13	626773	
	115	74	-	1a	-	16	626783	
	135	100	-	1a	-	16	626142	
	150	113	-	1a	-	16	621323	
	185	150	-	1a	-	16	626152	
M20	250	214	-	1a	-	16	626162	
	120	81	-	1a	-	19	626172	
	185	146	-	1a	-	19	626182	
M24	330	288	-	1a	-	19	626793	

Spindle in reinforced polyamid ( black ) with steel pin								
M16	100	54	-	-	3	24	61920	6000
M20	120	69	-	-	3	30	51540	
	180	129	-	-	3	30	51530	

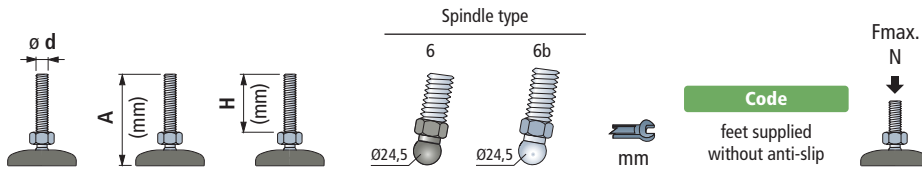
**Item code for order = Part. + Code**

- Footplate material : reinforced polyamide PA FV ( black ).
- Note : for spindles type 1 ball in reinforced polyamide.
- Packaging : 24 pieces.
- Anti-slip supplied separately.
- On request different length.
- Fmax. = maximum applicable load in static conditions.

- Best choice
- Standard
- ✓ On request

## Part. R0098

### Reinforced version



Spindle in stainless steel						
	A (mm)	H (mm)	Spindle type	mm	Code	
M12	100	53	6	-	19	673671
	150	103	6	-	19	673691
	195	149	6	-	19	673711
M14	150	103	6	-	19	673751
	195	149	6	-	19	673771
M16	100	53	6	-	24	673791
	115	74	-	6b	24	628782
	150	109	-	6b	24	628792
	185	144	-	6b	24	628802
	200	159	-	6b	24	628812
M20	220	181	-	6b	24	673931N
	115	74	-	6b	24	53171N
	180	139	-	6b	24	53161N
M24	245	204	-	6b	24	685641N
	120	79	-	6b	24	628862
	220	179	-	6b	24	628872
	255	216	-	6b	24	61634N

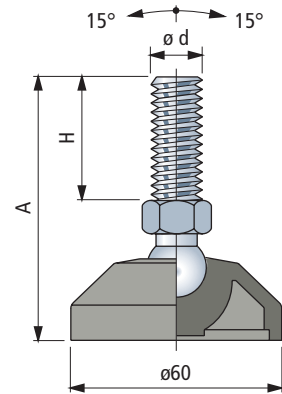
12000

Spindle in zinc plated steel						
	A (mm)	H (mm)	Spindle type	mm	Code	
M12	110	64	6	-	19	673511
	95	54	-	6b	24	628822
M16	130	89	-	6b	24	628832
	160	119	-	6b	24	628842
	195	154	-	6b	24	628852
M20	115	76	-	6b	24	53151N
	150	111	-	6b	24	61564N
	180	141	-	6b	24	52561N
	245	206	-	6b	24	66401N
M24	120	79	-	6b	24	628882
	185	144	-	6b	24	628892
	325	288	-	6b	24	673651N

12000

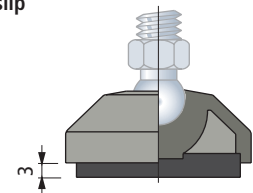
#### Item code for order = Part. + Code

- Footplate material : reinforced polyamide PA FV ( black ).
- Note : for spindles type 6 ball in reinforced polyamide.
- Packaging : 24 pieces.
- Anti-slip supplied separately.
- On request different length.
- Fmax. = maximum applicable load in static conditions.



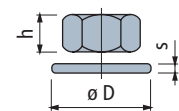
#### Accessories

##### Anti-slip



- Code : R000630022.
- Material : NBR rubber ( black ), 70 Shore.
- Assembly : press-fit.
- Packaging : 24 pieces

##### Nut + Washer



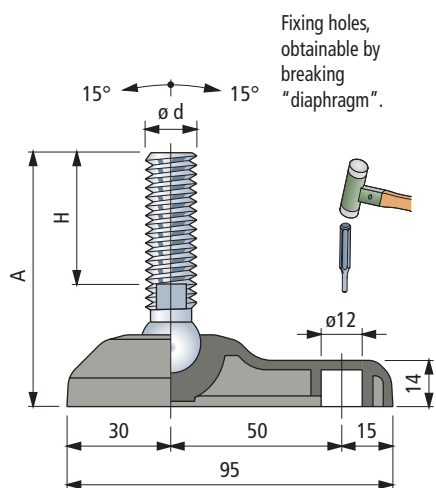
	Code		h	s	Ø D
	Stainless steel AISI 304	Zinc plated steel	mm	mm	mm
M12	R000630192	R000630122	10	19	24
M14	R000630202	R000630132	11	22	28
M16	R000630212	R000630142	13	24	30
M20	R000630222	R000630152	16	30	37
M24	R000630232	R000630162	19	36	44

Packaging : 8 pieces.

# Articulated Feet in reinforced polyamide

- ✔ Best choice
- ✔ Standard
- On request

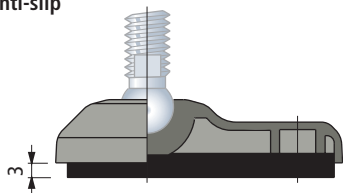
Part. **R0094**



Fixing holes, obtainable by breaking "diaphragm".

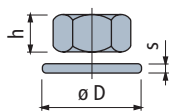
### Accessories

#### Anti-slip



- Code : R0000630032.
- Material : NBR rubber ( black ), 70 Shore.
- Assembly : press-fit.
- Packaging : 24 pieces

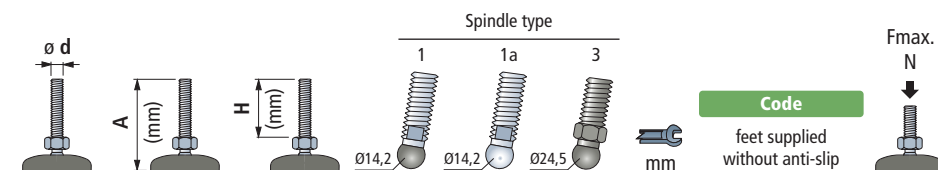
#### Nut + Washer



#### Code

	Stainless steel AISI 304	Zinc plated steel	h mm	mm	øD mm	s mm
M12	R0000630192	R0000630122	10	19	24	2,5
M14	R0000630202	R0000630132	11	22	28	2,5
M16	R0000630212	R0000630142	13	24	30	3
M20	R0000630222	R0000630152	16	30	37	3
M24	R0000630232	R0000630162	19	36	44	4

Packaging : 8 pieces.



Spindle in stainless steel								Fmax. N
						Code		
M12	90	55	1	-	-	10	626803	8000
	135	100	1	-	-	10	626813	
	185	150	1	-	-	10	626823	
M14	110	76	-	1a	-	11	626192	10000
	135	100	-	1a	-	11	626833	
	185	150	-	1a	-	11	626843	
M16	100	64	-	1a	-	13	626202	10000
	115	81	-	1a	-	13	626212	
	160	124	-	1a	-	13	626222	
	185	151	-	1a	-	13	626232	
	205	169	-	1a	-	13	626853	
M20	225	190	-	1a	-	13	626863	10000
	120	84	-	1a	-	16	626242	
	185	149	-	1a	-	16	626252	
M24	245	208	-	1a	-	16	626873	10000
	120	79	-	1a	-	19	626883	
	185	146	-	1a	-	19	626262	
M24	220	179	-	1a	-	19	626893	10000
	250	209	-	1a	-	19	626903	

Spindle in zinc plated steel								Fmax. N
M12	105	70	1	-	-	10	626913	8000
M14	90	56	-	1a	-	11	626282	10000
	85	48	-	1a	-	13	626923	
	95	61	-	1a	-	13	626292	
	130	96	-	1a	-	13	626302	
	150	116	-	1a	-	13	626312	
	165	131	-	1a	-	13	626933	
	185	151	-	1a	-	13	626322	
M16	200	165	-	1a	-	13	626943	10000
	235	201	-	1a	-	13	626953	
	115	74	-	1a	-	16	626963	
	135	100	-	1a	-	16	626332	
	150	113	-	1a	-	16	626973	
M20	185	150	-	1a	-	16	626342	10000
	250	214	-	1a	-	16	626352	
	120	81	-	1a	-	19	626362	
M24	185	146	-	1a	-	19	626372	10000
	330	288	-	1a	-	19	626983	

Spindle in reinforced polyamid ( black ) with steel pin								Fmax. N
M16	100	54	-	-	3	24	690421	6000
M20	120	69	-	-	3	30	690441	
	180	129	-	-	3	30	690461	

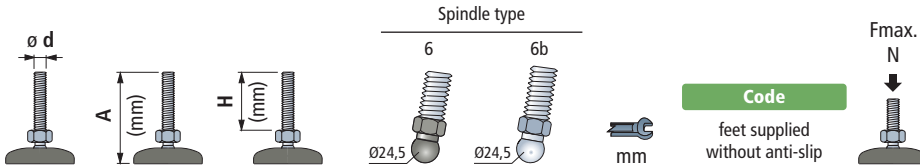
#### Item code for order = Part. + Code

- Footplate material : reinforced polyamide PA FV ( black ).
- 24 - Note : for spindles type 1 ball in reinforced polyamide.
- 28 - Packaging : 24 pieces.
- 30 - Anti-slip supplied separately.
- 30 - On request different length.
- 37 - Fmax. = maximum applicable load in static conditions.
- 44

- Best choice
- Standard
- ✓ On request

## Part. R0094

### Reinforced version



Spindle in stainless steel						
	A (mm)	H (mm)	Spindle type	mm	Code	
M12	100	53	6	-	19	689561
	150	103	6	-	19	689581
	195	149	6	-	19	689601
M14	150	103	6	-	19	689681
	195	149	6	-	19	689701
M16	100	53	6	-	24	689741
	115	74	-	6b	24	626872
	150	109	-	6b	24	626882
	185	144	-	6b	24	626892
	200	159	-	6b	24	626902
M20	220	181	-	6b	24	689981N
	115	74	-	6b	24	690001N
	180	139	-	6b	24	690081N
M24	245	204	-	6b	24	690141N
	120	79	-	6b	24	626952
	220	179	-	6b	24	626962
	255	216	-	6b	24	690301N

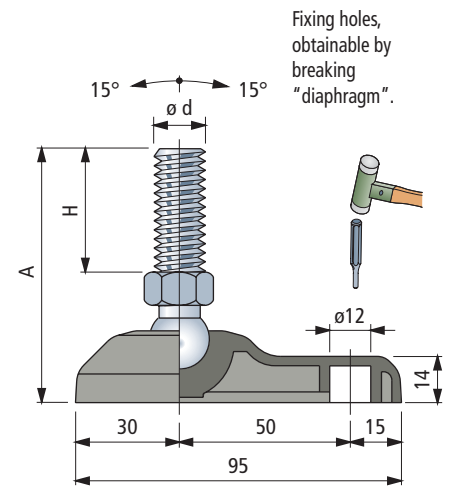
12000

Spindle in zinc plated steel						
	A (mm)	H (mm)	Spindle type	mm	Code	
M12	110	64	6	-	19	690481
	95	54	-	6b	24	626912
M16	130	89	-	6b	24	626922
	160	119	-	6b	24	626932
	195	154	-	6b	24	626942
M20	115	76	-	6b	24	690781N
	150	111	-	6b	24	690851N
	180	141	-	6b	24	690871N
	245	206	-	6b	24	690931N
M24	120	79	-	6b	24	626972
	185	144	-	6b	24	626982
	325	288	-	6b	24	691071N

12000

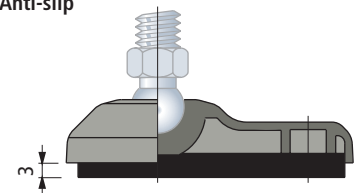
#### Item code for order = Part. + Code

- Footplate material : reinforced polyamide PA FV ( black ).
- Note : for spindles type 6 ball in reinforced polyamide.
- Packaging : 24 pieces.
- Anti-slip supplied separately.
- On request different length.
- Fmax. = maximum applicable load in static conditions.



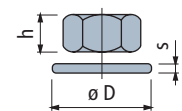
#### Accessories

##### Anti-slip



- Code : R0000630032.
- Material : NBR rubber ( black ), 70 Shore.
- Assembly : press-fit.
- Packaging : 24 pieces

##### Nut + Washer



	Code		h	s	ø D
	Stainless steel	Zinc plated steel	mm	mm	mm
M12	R0000630192	R0000630122	10	19	24
M14	R0000630202	R0000630132	11	22	28
M16	R0000630212	R0000630142	13	24	30
M20	R0000630222	R0000630152	16	30	37
M24	R0000630232	R0000630162	19	36	44

Packaging : 8 pieces.

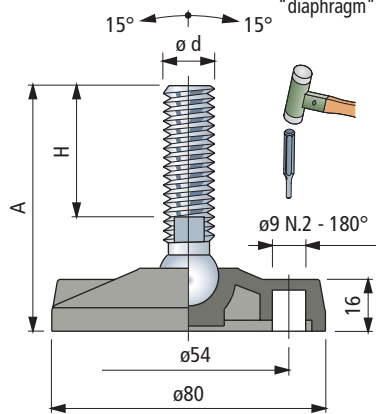
# Articulated Feet in reinforced polyamide

- ✔ **Best choice**
- ✔ **Standard**
- **On request**

Part. **R0323**

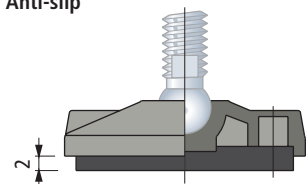


Fixing holes, obtainable by breaking "diaphragm".



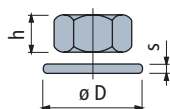
■ **Accessories**

Anti-slip



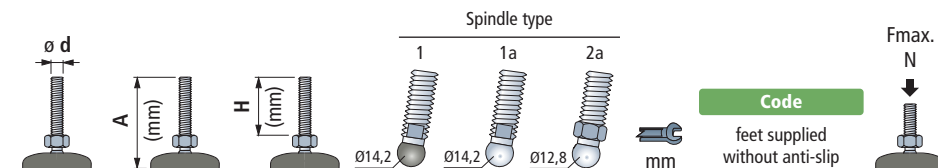
- Code : R0000630042.
- Material : NBR rubber ( black ), 70 Shore.
- Assembly : press-fit.
- Packaging : 24 pieces

**Nut + Washer**



Code		h	s	øD		
Stainless steel AISI 304	Zinc plated steel	mm	mm	mm		
M8	-	R0000630102	6,5	13	17	1,6
M10	R0000630182	R0000630112	8	17	21	2
M12	R0000630192	R0000630122	10	19	24	2,5
M14	R0000630202	R0000630132	11	22	28	2,5
M16	R0000630212	R0000630142	13	24	30	3
M20	R0000630222	R0000630152	16	30	37	3
M24	R0000630232	R0000630162	19	36	44	4

Packaging : 24 pieces ( for M8, M10 ).  
8 pieces ( for M12, M14, M16, M20, M24 ).



**Spindle in stainless steel**

Spindle	A (mm)	H (mm)	1	1a	2a	mm	Code	Fmax. N
M10	95	70	1	-	-	8	626993	8000
M12	95	70	1	-	-	10	627003	
	155	130	1	-	-	10	627013	10000
M14	105	76	-	1a	-	13	626572	
	95	64	-	1a	-	13	626582	
M16	110	81	-	1a	-	13	626592	
	155	124	-	1a	-	13	626602	
	180	151	-	1a	-	13	626612	
M20	115	84	-	1a	-	16	626622	
	180	149	-	1a	-	16	626632	
M24	180	146	-	1a	-	19	626642	

**Spindle in zinc plated steel**

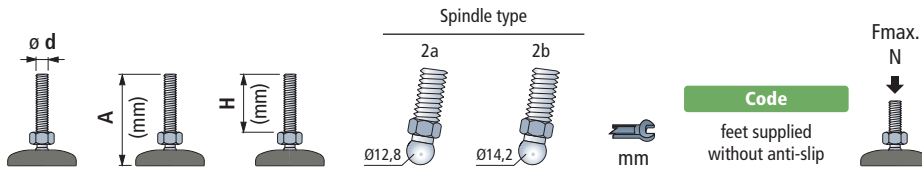
Spindle	A (mm)	H (mm)	1	1a	2a	mm	Code	Fmax. N
M8	65	40	-	-	2a	12	678901N	
	60	33	-	-	2a	12	61384N	
M10	95	71	-	-	2a	12	60464N	9000
	145	118	-	-	2a	12	61404N	
	70	48	-	-	2a	12	61414N	10000
M12	95	69	-	-	2a	12	62313N	
	120	96	-	-	2a	12	678941N	
M14	85	56	-	1a	-	11	626662	10000
	90	61	-	1a	-	13	626672	
	125	96	-	1a	-	13	626682	
M16	145	116	-	1a	-	13	626692	
	180	151	-	1a	-	13	626702	
	230	201	-	1a	-	13	627023	
	130	100	-	1a	-	16	626712	
M20	180	150	-	1a	-	16	626722	
	245	214	-	1a	-	16	626732	
M24	115	81	-	1a	-	19	626742	
	180	146	-	1a	-	19	626752	

**Item code for order = Part. + Code**

- Footplate material : reinforced polyamide PA FV ( black ).
- Note : for spindles type 1 ball in reinforced polyamide.
- Packaging : 24 pieces.
- Anti-slip supplied separately.
- On request different length.
- Fmax. = maximum applicable load in static conditions.

- Best choice
- Standard
- ✓ On request

Part. **R0323**



Spindle in stainless steel						
M10	95	71	2a	-	12	65686N
M12	95	69	2a	-	12	65596N
	155	132	2a	-	12	679061N
M14	95	68	2a	-	12	626842
M16	100	72	2a	-	15	626852
	160	132	2a	-	15	626862

9000

Spindle in zinc plated steel						
M16	75	48	-	2b	16	685981N
	95	68	-	2b	16	62353N
	115	89	-	2b	16	686001N
	155	130	-	2b	16	686021N
	190	165	-	2b	16	62383N
	230	201	-	2b	16	679021N

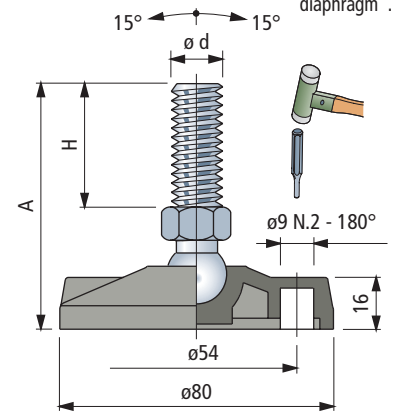
10000

**Item code for order = Part. + Code**

- Footplate material : reinforced polyamide PA FV ( black ).
- Packaging : 24 pieces.
- Anti-slip supplied separately.
- On request different length.
- Fmax. = maximum applicable load in static conditions.

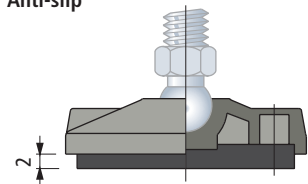


Fixing holes, obtainable by breaking "diaphragm".



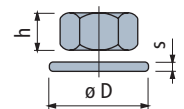
**Accessories**

**Anti-slip**



- Code : R0000630042.
- Material : NBR rubber ( black ), 70 Shore.
- Assembly : press-fit.
- Packaging : 24 pieces

**Nut + Washer**



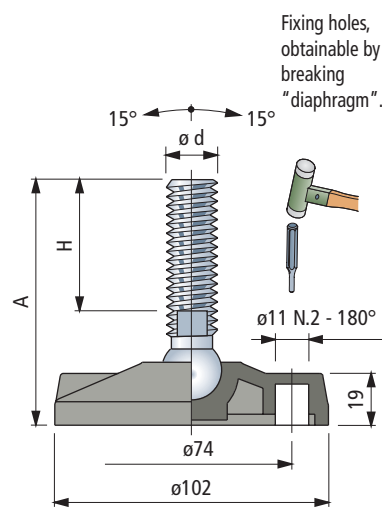
Code		h	s	ØD		
Stainless steel AISI 304	Zinc plated steel	mm	mm	mm		
M8	-	R0000630102	6,5	13	17	1,6
M10	R0000630182	R0000630112	8	17	21	2
M12	R0000630192	R0000630122	10	19	24	2,5
M14	R0000630202	R0000630132	11	22	28	2,5
M16	R0000630212	R0000630142	13	24	30	3
M20	R0000630222	R0000630152	16	30	37	3
M24	R0000630232	R0000630162	19	36	44	4

Packaging : 24 pieces ( for M8, M10 ).  
8 pieces ( for M12, M14, M16, M20, M24 ).

# Articulated Feet in reinforced polyamide

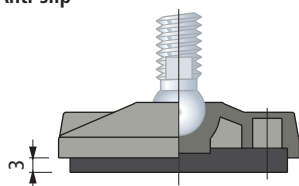
- ✔ Best choice
- ✔ Standard
- On request

Part. **R0133**



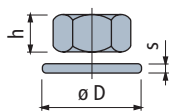
**Accessories**

**Anti-slip**



- Code : R0000630052.
- Material : NBR rubber ( black ), 70 Shore.
- Assembly : press-fit.
- Packaging : 24 pieces

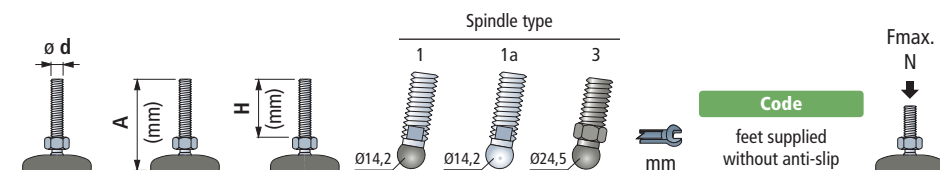
**Nut + Washer**



**Code**

	Stainless steel AISI 304	Zinc plated steel	h mm	mm	$\phi D$ mm	s mm
M12	R0000630192	R0000630122	10	19	24	2,5
M14	R0000630202	R0000630132	11	22	28	2,5
M16	R0000630212	R0000630142	13	24	30	3
M20	R0000630222	R0000630152	16	30	37	3
M24	R0000630232	R0000630162	19	36	44	4

Packaging : 8 pieces.



Spindle in stainless steel							
						Code	
M12	90	55	1	-	-	10	627033
	135	100	1	-	-	10	627043
	185	150	1	-	-	10	627053
M14	110	76	-	1a	-	11	633192
	135	100	-	1a	-	11	627063
	185	150	-	1a	-	11	627073
M16	100	64	-	1a	-	13	633202
	115	81	-	1a	-	13	633212
	160	124	-	1a	-	13	633222
	185	151	-	1a	-	13	633232
	205	169	-	1a	-	13	627083
M20	225	190	-	1a	-	13	627093
	120	84	-	1a	-	16	633242
	185	149	-	1a	-	16	633252
M24	245	208	-	1a	-	16	627103
	120	79	-	1a	-	19	627113
	185	146	-	1a	-	19	633262
	220	179	-	1a	-	19	627123
	250	209	-	1a	-	19	627133

Spindle in zinc plated steel							
M12	105	70	1	-	-	10	627143
M14	90	56	-	1a	-	11	633282
	85	48	-	1a	-	13	627153
	95	61	-	1a	-	13	633292
	130	96	-	1a	-	13	633302
	150	116	-	1a	-	13	633312
	165	131	-	1a	-	13	627163
	185	151	-	1a	-	13	633322
M16	200	165	-	1a	-	13	627173
	235	201	-	1a	-	13	627183
	115	74	-	1a	-	16	627193
	135	100	-	1a	-	16	633332
	150	113	-	1a	-	16	627203
M20	185	150	-	1a	-	16	633342
	250	214	-	1a	-	16	633352
	120	81	-	1a	-	19	633362
M24	185	146	-	1a	-	19	633372
	330	288	-	1a	-	19	627213

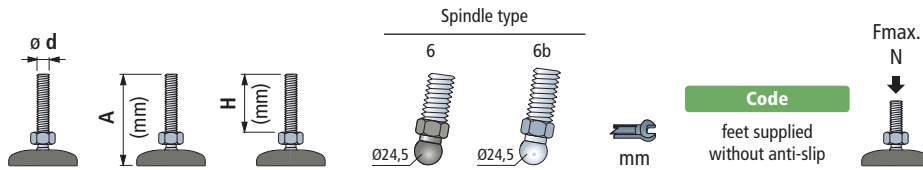
Spindle in reinforced polyamid ( black ) with steel pin							
M16	100	54	-	-	3	24	627292
M20	120	69	-	-	3	30	627302
	180	129	-	-	3	30	627312

**Item code for order = Part. + Code**

- Footplate material : reinforced polyamide PA FV ( black ).
- Note : for spindles type 1 ball in reinforced polyamide.
- Packaging : 24 pieces.
- Anti-slip supplied separately.
- On request different length.
- Fmax. = maximum applicable load in static conditions.



- Best choice
- Standard
- ✓ On request



Spindle in stainless steel						
M12	100	53	6	-	19	679231N
	150	103	6	-	19	679251N
	195	149	6	-	19	679271N
M14	150	103	6	-	19	679311N
	195	149	6	-	19	679331N
M16	100	53	6	-	24	679351N
	115	74	-	6b	24	627212
	150	109	-	6b	24	627222
	185	144	-	6b	24	627232
	200	159	-	6b	24	627242
M20	220	181	-	6b	24	679461N1
	115	74	-	6b	24	627252N
	180	139	-	6b	24	627262N
M24	245	204	-	6b	24	686321N1
	120	79	-	6b	24	627272
	220	179	-	6b	24	627282
	255	216	-	6b	24	61994N1

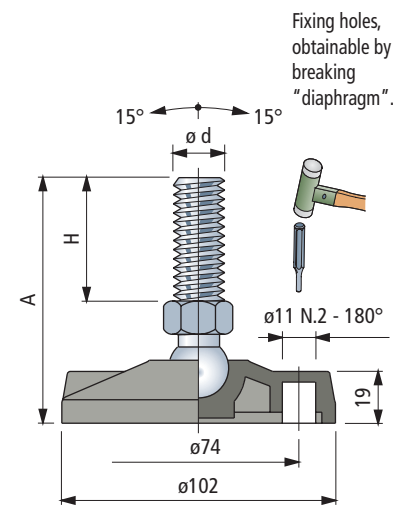
Spindle in zinc plated steel						
M12	110	64	6	-	19	679121N
	95	54	-	6b	24	627322
M16	130	89	-	6b	24	627332
	160	119	-	6b	24	627342
	195	154	-	6b	24	627352
M20	115	76	-	6b	24	627362N
	150	111	-	6b	24	627372N
	180	141	-	6b	24	627382N
	245	206	-	6b	24	627392N
M24	120	79	-	6b	24	627402
	185	144	-	6b	24	627412
	325	288	-	6b	24	679211N1

**Item code for order = Part. + Code**

- Footplate material : reinforced polyamide PA FV ( black ).
- Note : for spindles type 6 ball in reinforced polyamide.
- Packaging : 24 pieces.
- Anti-slip supplied separately.
- On request different length.
- Fmax. = maximum applicable load in static conditions.

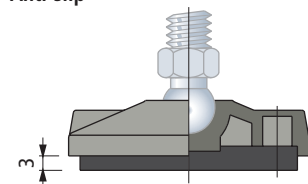
## Part. R0133

### Reinforced version



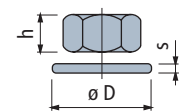
**Accessories**

**Anti-slip**



- Code : R0000630052.
- Material : NBR rubber ( black ), 70 Shore.
- Assembly : press-fit.
- Packaging : 24 pieces

**Nut + Washer**



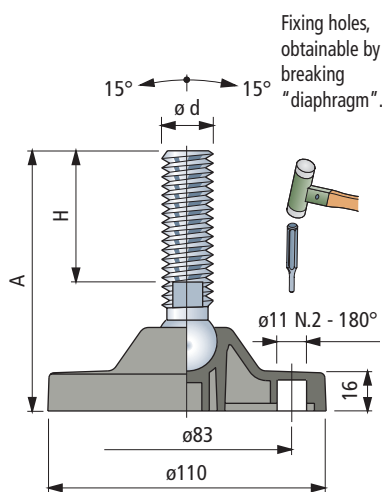
Code						
Stainless steel	Zinc plated steel	h	mm	ø D	s	
M12 R0000630192	R0000630122	10	19	24	2,5	
M14 R0000630202	R0000630132	11	22	28	2,5	
M16 R0000630212	R0000630142	13	24	30	3	
M20 R0000630222	R0000630152	16	30	37	3	
M24 R0000630232	R0000630162	19	36	44	4	

Packaging : 8 pieces.

# Articulated Feet in reinforced polyamide

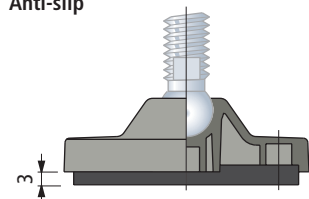
- ✔ Best choice
- ✔ Standard
- On request

Part. **R0479**



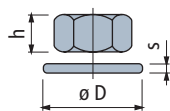
### Accessories

#### Anti-slip



- Code : R0000630062.
- Material : NBR rubber ( black ), 70 Shore.
- Assembly : press-fit.
- Packaging : 16 pieces

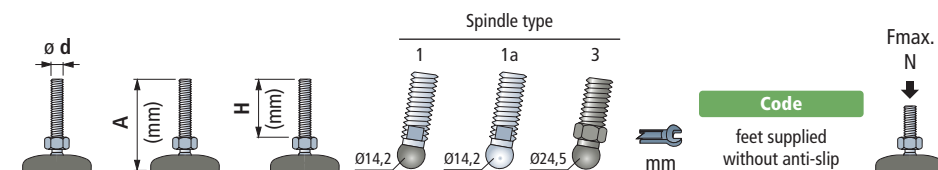
#### Nut + Washer



#### Code

	Stainless steel AISI 304	Zinc plated steel	h mm	 mm	ØD mm	s mm
M12	R0000630192	R0000630122	10	19	24	2,5
M14	R0000630202	R0000630132	11	22	28	2,5
M16	R0000630212	R0000630142	13	24	30	3
M20	R0000630222	R0000630152	16	30	37	3
M24	R0000630232	R0000630162	19	36	44	4

Packaging : 8 pieces.



### Spindle in stainless steel

M12	100	55	1	-	-	10	627223	8000
	145	100	1	-	-	10	627233	
	195	150	1	-	-	10	627243	
M14	120	76	-	1a	-	11	633382	15000
	145	100	-	1a	-	11	627253	
	195	150	-	1a	-	11	627263	
M16	110	64	-	1a	-	13	633392	15000
	125	81	-	1a	-	13	633402	
	170	124	-	1a	-	13	633412	
	195	151	-	1a	-	13	633422	
	215	169	-	1a	-	13	627273	
M20	235	190	-	1a	-	13	627283	15000
	130	84	-	1a	-	16	633432	
	195	149	-	1a	-	16	633442	
M24	255	208	-	1a	-	16	627293	15000
	130	79	-	1a	-	19	627303	
	195	146	-	1a	-	19	633452	
M24	230	179	-	1a	-	19	627313	15000
	260	209	-	1a	-	19	627323	

### Spindle in zinc plated steel

M12	115	70	1	-	-	10	627333	8000
M14	100	56	-	1a	-	11	633472	15000
	95	48	-	1a	-	13	627343	
	105	61	-	1a	-	13	633482	
	140	96	-	1a	-	13	633492	
	160	116	-	1a	-	13	633502	
	175	131	-	1a	-	13	627353	
	195	151	-	1a	-	13	633512	
M16	210	165	-	1a	-	13	627363	15000
	245	201	-	1a	-	13	627373	
	125	74	-	1a	-	16	627383	
	140	100	-	1a	-	16	633522	
	160	113	-	1a	-	16	627393	
M20	190	150	-	1a	-	16	633532	15000
	260	214	-	1a	-	16	633542	
	130	81	-	1a	-	19	633552	
M24	195	146	-	1a	-	19	633562	15000
	340	288	-	1a	-	19	627403	

### Spindle in reinforced polyamid ( black ) with steel pin

M16	110	54	-	-	3	24	627502	6000
M20	130	69	-	-	3	30	627512	
	190	129	-	-	3	30	627522	

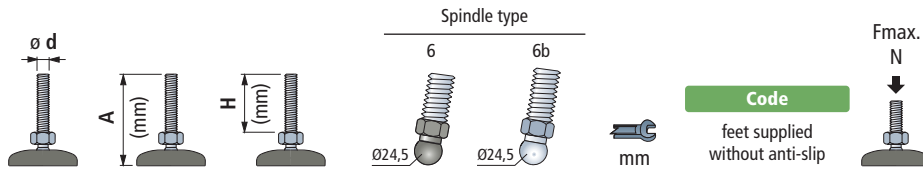
#### Item code for order = Part. + Code

- Footplate material : reinforced polyamide PA FV ( black ).
- Note : for spindles type 1 ball in reinforced polyamide.
- Packaging : 16 pieces.
- Anti-slip supplied separately.
- On request different length.
- Fmax. = maximum applicable load in static conditions.

- Best choice
- Standard
- ✓ On request

## Part. R0479

### Reinforced version

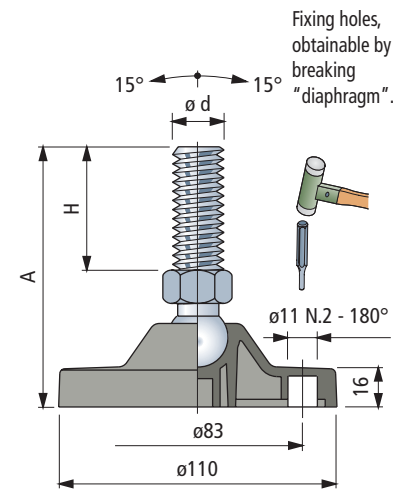


Spindle in stainless steel						
			Spindle type		Code	
M12	110	53	6	-	19	636181N
	160	103	6	-	19	636201N
	205	149	6	-	19	636221N
M14	160	103	6	-	19	636261N
	205	149	6	-	19	636271N
M16	110	53	6	-	24	636331N
	125	74	-	6b	24	627422
	160	109	-	6b	24	627432
	195	144	-	6b	24	627442
	210	159	-	6b	24	627452
M20	235	181	-	6b	24	675591N1
	125	74	-	6b	24	627462N
	190	139	-	6b	24	627472N
M24	255	204	-	6b	24	686561N1
	130	79	-	6b	24	627482
	230	179	-	6b	24	627492
	270	216	-	6b	24	636861N1

Spindle in zinc plated steel						
			Spindle type		Code	
M12	120	64	6	-	19	675341N
	105	54	-	6b	24	627532
M16	140	89	-	6b	24	627542
	170	119	-	6b	24	627552
	205	154	-	6b	24	627562
M20	125	76	-	6b	24	627572N
	165	111	-	6b	24	627582N
	190	141	-	6b	24	627592N
	255	206	-	6b	24	627602N
M24	130	79	-	6b	24	627612
	195	144	-	6b	24	627622
	340	288	-	6b	24	675501N1

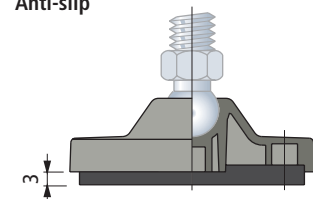
#### Item code for order = Part. + Code

- Footplate material : reinforced polyamide PA FV ( black ).
- Note : for spindles type 6 ball in reinforced polyamide.
- Packaging : 16 pieces.
- Anti-slip supplied separately.
- On request different length.
- Fmax. = maximum applicable load in static conditions.



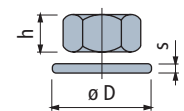
#### Accessories

##### Anti-slip



- Code : R0000630062.
- Material : NBR rubber ( black ), 70 Shore.
- Assembly : press-fit.
- Packaging : 16 pieces

##### Nut + Washer



	Code		h	s	øD
	Stainless steel AISI 304	Zinc plated steel	mm	mm	mm
M12	R0000630192	R0000630122	10	19	24
M14	R0000630202	R0000630132	11	22	28
M16	R0000630212	R0000630142	13	24	30
M20	R0000630222	R0000630152	16	30	37
M24	R0000630232	R0000630162	19	36	44

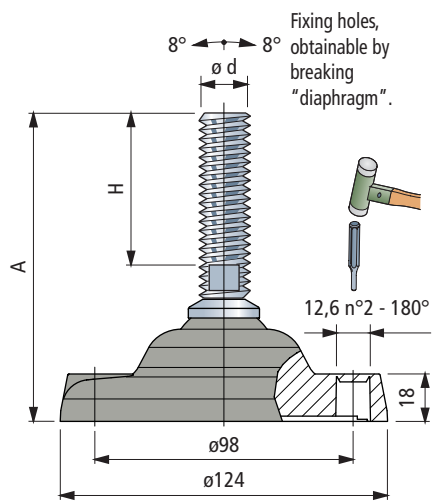
Packaging : 8 pieces.

# Articulated Feet

in reinforced polyamide and polypropylene

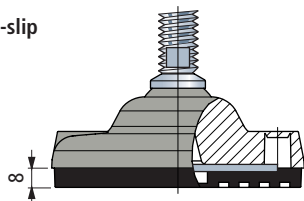
- Best choice**
- Standard**
- On request**

Part. **R0869**



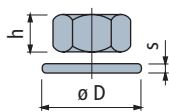
**Accessories**

**Anti-slip**



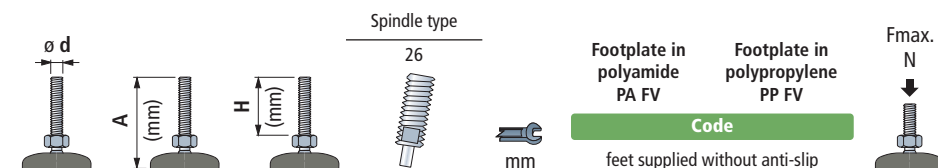
- Code with reinforcement disc : **R0000630082**.
- Code without reinforcement disc : **R0000630092**.
- Assembly : with screws for plate supplied loose.
- Material : NBR rubber ( black ), 80 Shore.
- Packaging : 8 pieces.

**Nut + Washer**



	Code		h mm		øD mm	s mm
	Stainless steel AISI 304	Zinc plated steel				
M16	R0000630212	R0000630142	13	24	30	3
M20	R0000630222	R0000630152	16	30	37	3
M24	R0000630232	R0000630162	19	36	44	4
M30	R0000630242	R0000630172	24	46	56	4

Packaging : 8 pieces.



**Spindle in stainless steel**

	mm				Footplate in polyamide PA FV	Footplate in polypropylene PP FV	Fmax. N ↓
	A (mm)	H (mm)	26	mm	Code	Code	
M16	110	50	26	13	618903	619283	45000 (PA FV)
	140	80	26	13	618913	619293	
	170	110	26	13	618923	619303	
	200	140	26	13	618933	619313	
	230	170	26	13	618943	619323	
M20	260	200	26	13	618953	619333	13000 (PP FV)
	140	79	26	17	618963	619343	
	200	139	26	17	618973	619353	
	260	199	26	17	618983	619363	
M24	290	229	26	17	618993	619373	45000 (PA FV)
	140	77	26	19	619003	619383	
	210	147	26	19	619013	619393	
M30	240	177	26	19	619023	619403	13000 (PP FV)
	270	207	26	19	619033	619413	
	185	117	26	24	619043	619423	
M30	215	147	26	24	619053	619433	45000 (PA FV)
	245	177	26	24	619063	619443	

**Spindle in zinc plated steel**

	mm				Footplate in polyamide PA FV	Footplate in polypropylene PP FV	Fmax. N ↓
	A (mm)	H (mm)	26	mm	Code	Code	
M16	110	50	26	13	619073	619453	45000 (PA FV)
	140	80	26	13	619083	619463	
	170	110	26	13	619093	619473	
	200	140	26	13	619103	619483	
	230	170	26	13	619113	619493	
M20	260	200	26	13	619123	619503	13000 (PP FV)
	140	79	26	17	619133	619513	
	170	109	26	17	619143	619523	
	200	139	26	17	619153	619533	
M24	230	169	26	17	619163	619543	45000 (PA FV)
	260	199	26	17	619173	619553	
	290	229	26	17	619183	619563	
M30	140	77	26	19	619193	619573	13000 (PP FV)
	170	107	26	19	619203	619583	
	200	137	26	19	619213	619593	
M30	230	167	26	19	619223	619603	45000 (PA FV)
	290	227	26	19	619233	619613	
	350	287	26	19	619243	619623	
	185	117	26	24	619253	619633	
	245	177	26	24	619263	619643	
	315	247	26	24	619273	619653	

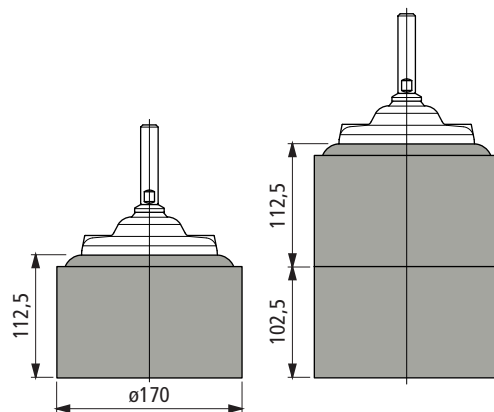
**Item code for order = Part. + Code**

- Footplate material : reinforced polyamide PA FV ( black ) and reinforced polypropylene PP FV ( black ).
- Packaging : 8 pieces.
- Anti-slip supplied separately ( on request supplied fixed to the foot ).
- On request different length.
- Fmax. = maximum applicable load in static conditions.

**Part. R0726 - Spacer**

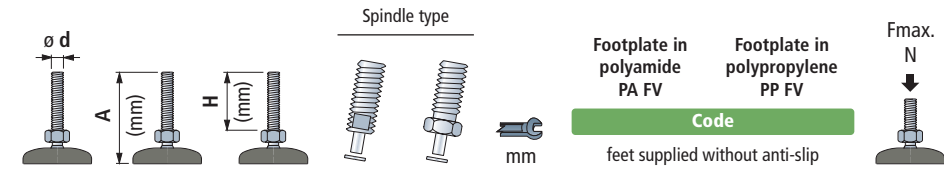


- Code : **688772**.
- Material : reinforced polyamide PA FV ( black ).
- Weight : 1,15 Kg.
- Packaging : 8 pieces.



- Best choice
- Standard
- ✓ On request

Part. **R0169**

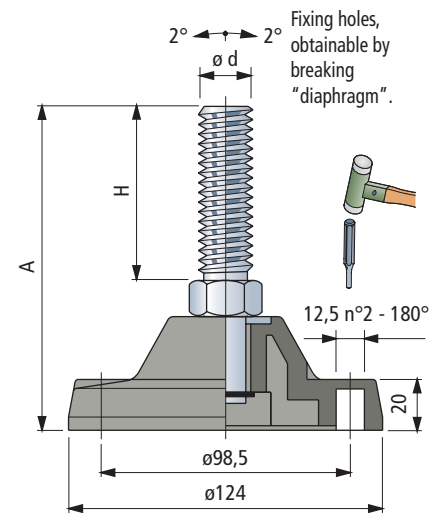


Spindle in stainless steel								
	ø d	A (mm)	H (mm)	Spindle type	mm	Footplate in polyamide PA FV	Footplate in polypropylene PP FV	Fmax. N
M16	255	200	21	-	13	604993	-	45000 (PA FV)
	140	81	-	22	30	624802	628682	
M20	205	146	-	22	30	624812	628692	13000 (PP FV)
	270	218	21	-	17	611523	611633	
M24	205	152	21	-	19	624822	628702	
M30	205	152	21	-	24	624832	628712	

Spindle in zinc plated steel								
	ø d	A (mm)	H (mm)	Spindle type	mm	Footplate in polyamide PA FV	Footplate in polypropylene PP FV	Fmax. N
M16	255	200	-	22	24	624842	628722	45000 (PA FV)
	255	200	21	-	13	604983	-	
M20	140	81	-	22	30	624852	628732	13000 (PP FV)
	205	146	-	22	30	624862	628742	
	205	154	21	-	17	611653	636162	
M24	255	195	-	22	30	624872	628752	
	308	242	-	22	30	611663	611673	
M24	145	91	21	-	19	624882	628762	
	205	152	21	-	19	624892	628772	

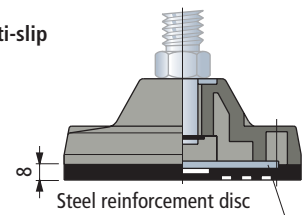
**Item code for order = Part. + Code**

- Footplate material : reinforced polyamide PA FV ( black ) and reinforced polypropylene PP FV ( black ).
- Packaging : 8 pieces.
- Anti-slip supplied separately ( on request supplied fixed to the foot ).
- On request different length.
- Fmax. = maximum applicable load in static conditions.



**Accessories**

**Anti-slip**

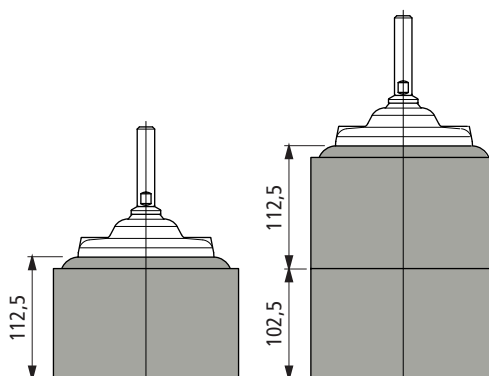


- Code with reinforcement disc : **R0000630082**.
- Code without reinforcement disc : **R0000630092**.
- Assembly : with screws for plate supplied loose.
- Material : NBR rubber ( black ), 80 Shore.
- Packaging : 8 pieces.

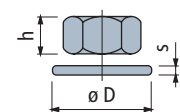
Part. **R0726 - Spacer**



- Code : **688772**.
- Material : reinforced polyamide PA FV ( black ).
- Weight : 1,15 Kg.
- Packaging : 8 pieces.



**Nut + Washer**



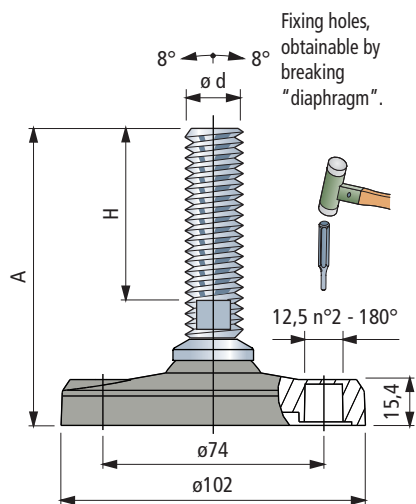
	Code		h	ø D	s
	Stainless steel AISI 304	Zinc plated steel	mm	mm	mm
M16	R0000630212	R0000630142	13	24	30
M20	R0000630222	R0000630152	16	30	37
M24	R0000630232	R0000630162	19	36	44
M30	R0000630242	R0000630172	24	46	56

Packaging : 8 pieces.

# Articulated Feet in reinforced polyamide

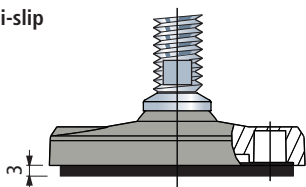
- ✔ **Best choice**
- ✔ **Standard**
- **On request**

Part. **R0134**



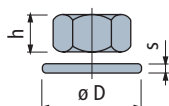
**Accessories**

**Anti-slip**



- Code : R0000630052.
- Material : NBR rubber ( black ), 70 Shore.
- Assembly : press-fit.
- Packaging : 24 pieces

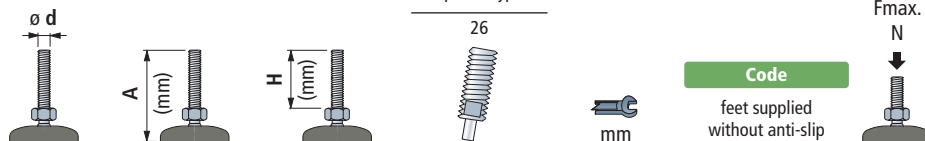
**Nut + Washer**



Code		h mm	s mm	ø D mm
Stainless steel AISI 304	Zinc plated steel			
M16 R0000630212	R0000630142	13	24	30
M20 R0000630222	R0000630152	16	30	37
M24 R0000630232	R0000630162	19	36	44
M30 R0000630242	R0000630172	24	46	56

Packaging : 8 pieces.

Spindle type



**Code**  
feet supplied  
without anti-slip

**Spindle in stainless steel**

M16	150	110	26	13	<b>627413</b>	20000
	180	140	26	13	<b>627423</b>	
M20	180	139	26	17	<b>627433</b>	20000
	195	147	26	19	<b>627443</b>	
M24	225	177	26	19	<b>627453</b>	20000
	170	117	26	24	<b>627463</b>	
M30	230	177	26	24	<b>627473</b>	20000

**Spindle in zinc plated steel**

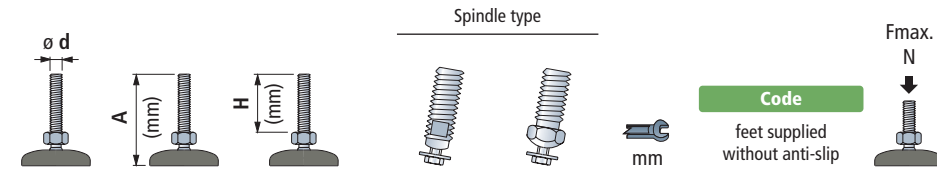
M20	150	109	26	17	<b>627483</b>	20000
	180	139	26	17	<b>627493</b>	
M30	170	117	26	24	<b>627503</b>	20000
	230	177	26	24	<b>627513</b>	
	300	247	26	24	<b>627523</b>	

**Item code for order = Part. + Code**

- Footplate material : reinforced polyamide PA FV ( black ).
- Packaging : 24 pieces.
- Anti-slip supplied separately.
- On request different length.
- Fmax. = maximum applicable load in static conditions.

- **Best choice**
- **Standard**
- ✓ **On request**

**Part. R0297**

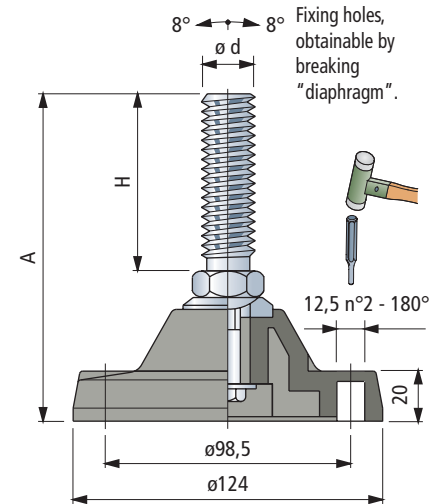


Spindle in stainless steel							45000
M16	175	118	-	12	22	629182	
	205	148	-	12	22	629192	
M20	205	148	-	12	22	629202	
M24	230	165	11	-	19	680371N	
M30	190	120	11	-	27	629212	
	250	180	11	-	27	629222	

Spindle in zinc plated steel							45000
M20	155	100	-	12	22	629232	
	195	140	-	12	22	629242	
M30	190	120	11	-	27	629252	
	250	180	11	-	27	629262	
	325	250	11	-	27	688071N	

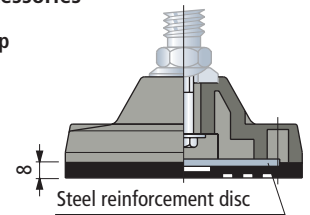
**Item code for order = Part. + Code**

- Footplate material : reinforced polyamide PA FV ( black ).
- Packaging : 8 pieces.
- Anti-slip supplied separately ( on request supplied fixed to the foot ).
- On request different length.
- Fmax. = maximum applicable load in static conditions.



**Accessories**

**Anti-slip**

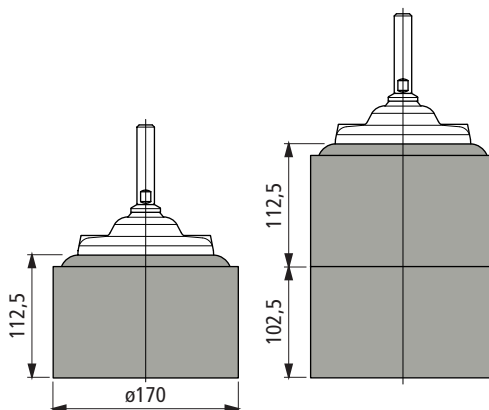


- Code with reinforcement disc : **R0000630082**.
- Code without reinforcement disc : **R0000630092**.
- Assembly : with screws for plate supplied loose.
- Material : NBR rubber ( black ), 80 Shore.
- Packaging : 8 pieces.

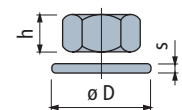
**Part. R0726 - Spacer**



- Code : **688772**.
- Material : reinforced polyamide PA FV ( black ).
- Weight : 1,15 Kg.
- Packaging : 8 pieces.



**Nut + Washer**



	Code		h	ø D	s
	Stainless steel AISI 304	Zinc plated steel			
M16	R0000630212	R0000630142	13	24	30
M20	R0000630222	R0000630152	16	30	37
M24	R0000630232	R0000630162	19	36	44
M30	R0000630242	R0000630172	24	46	56

Packaging : 8 pieces.



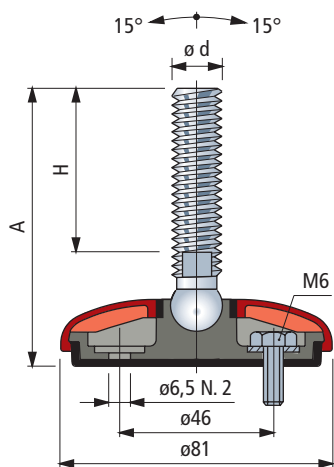
# Articulated Feet Gripper

in reinforced polypropylene

- ✔ Best choice
- ✔ Standard
- On request

## Part. R0626

Microban® antibacterial protection



### Protection cap

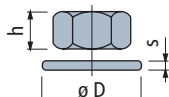


Colour	Code
Dark grey	R0626641912
White	R0626641922
Blue	R0626641932
Orange	R0626641942
Black	R0626641952

- Material : polypropylene PP, with Microban® antibacterial protection.
- Packaging : 24 pieces.
- Customized cap with customer logo.
- Other colours available upon request.

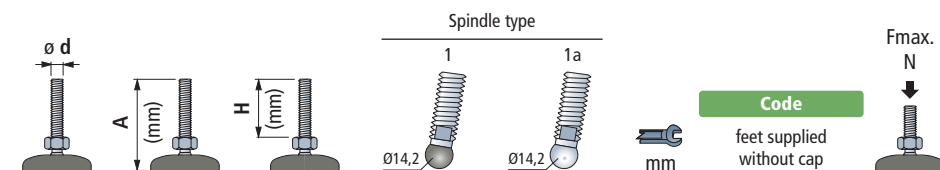
### Accessories

#### Nut + Washer



	Code		h	s	ø D
	Stainless steel AISI 304	Zinc plated steel	mm	mm	mm
M10	R0000630182	R0000630112	8	17	21
M12	R0000630192	R0000630122	10	19	24
M14	R0000630202	R0000630132	11	22	28
M16	R0000630212	R0000630142	13	24	30
M20	R0000630222	R0000630152	16	30	37
M24	R0000630232	R0000630162	19	36	44

Packaging : 24 pieces ( for M10 ).  
8 pieces ( for M12, M14, M16, M20, M24 ).



Spindle in stainless steel							Code	Fmax. N
M	A	H	1	1a	mm	feet supplied without cap		
M10	100	70	1	-	8	627533	8000	
M12	85	55	1	-	10	627543		
	145	115	1	-	10	627553	10000	
M14	110	76	-	1a	13	641712		
	100	64	-	1a	13	641722		
M16	115	81	-	1a	13	641732		
	160	124	-	1a	13	641742		
	185	151	-	1a	13	641752		
M20	120	84	-	1a	16	641762		
	185	149	-	1a	16	641772		
M24	185	146	-	1a	19	641782		

Spindle in zinc plated steel							Code	Fmax. N
M	A	H	1	1a	mm	feet supplied without cap		
	60	30	1	-	8	602603	8000	
M10	95	65	1	-	8	627563		
	145	115	1	-	8	627573		
	65	35	1	-	10	627583	10000	
M12	100	70	1	-	10	627593		
	120	90	1	-	10	627603		
	90	56	-	1a	11	641792	10000	
	95	61	-	1a	13	641812		
M16	130	96	-	1a	13	641822		
	150	116	-	1a	13	641832		
	185	151	-	1a	13	641842		
	235	201	-	1a	13	627613		
	135	100	-	1a	16	641862	10000	
M20	185	150	-	1a	16	641872		
	250	214	-	1a	16	641882		
	120	81	-	1a	19	641892	10000	
M24	185	146	-	1a	19	641902		

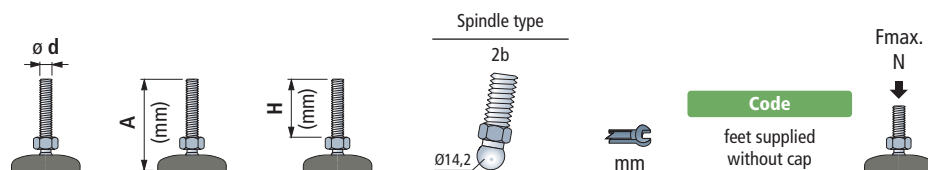
**Microban®** Foot base and protection cap, supplied with Microban® antibacterial protection. By penetrating the cell wall of bacteria Microban® inhibits the growth of most common food poisoning bacteria, such as E.coli, Salmonella, Listeria, S-aureus, Campylobacter, which can cause contamination and odour.

### Item code for order = Part. + Code

- \* = Feet are supplied without protection caps. Caps have to be ordered separately, indicating selected colour.
- Base material : reinforced polypropylene with integrated anti-slip in thermoplastic rubber grey ( 80 Shore ).
- Materials are supplied with Microban® antibacterial protection.
- The sealing of the internal structure guarantees a better hygiene.
- Feet can be fixed to the floor.
- Note : for spindles type 1 ball in reinforced polyamide.
- Packaging : 24 pieces.
- On request different length.
- Fmax. = maximum applicable load in static conditions.



- Best choice
- Standard
- ✓ On request



Spindle in stainless steel						Code	feet supplied without cap	Fmax. N	
M10	95	67	2b	14	641392				10000
M12	85	55	2b	14	641402				
	145	115	2b	14	641412				

Spindle in zinc plated steel						Code	feet supplied without cap	Fmax. N	
M10	60	30	2b	14	641522				10000
	95	65	2b	14	641532				
	145	115	2b	14	641542				
M12	65	35	2b	14	641552	10000			
	100	70	2b	14	641562				
	120	90	2b	14	641572				
M16	80	48	2b	16	641592	10000			
	100	68	2b	16	641602				
	120	89	2b	16	641612				
	160	130	2b	16	643052				
	195	165	2b	16	641632				
	235	201	2b	16	641642				

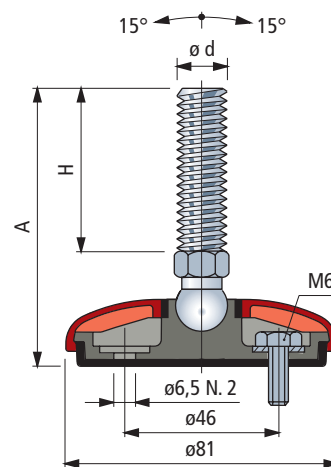
**Microban®** antibacterial protection. By penetrating the cell wall of bacteria Microban® inhibits the growth of most common food poisoning bacteria, such as E.coli, Salmonella, Listeria, S-aureus, Campylobacter, which can cause contamination and odour.

**Item code for order = Part. + Code**

- \* = Feet are supplied without protection caps. Caps have to be ordered separately, indicating selected colour.
- Base material : reinforced polypropylene with integrated anti-slip in thermoplastic rubber grey ( 80 Shore ).
- Materials are supplied with Microban® antibacterial protection.
- The sealing of the internal structure guarantees a better hygiene.
- Feet can be fixed to the floor.
- Packaging : 24 pieces.
- On request different length.
- Fmax. = maximum applicable load in static conditions.

## Part. R0626

Microban® antibacterial protection



**Protection cap**

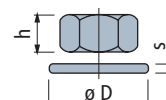


Colour	Code
Dark grey	R0626641912
White	R0626641922
Blue	R0626641932
Orange	R0626641942
Black	R0626641952

- Material : polypropylene PP, with Microban® antibacterial protection.
- Packaging : 24 pieces.
- Customized cap with customer logo.
- Other colours available upon request.

**Accessories**

**Nut + Washer**



	Code		h	ø D	s
	Stainless steel AISI 304	Zinc plated steel	mm	mm	mm
M10	R0000630182	R0000630112	8	17	21
M12	R0000630192	R0000630122	10	19	24
M14	R0000630202	R0000630132	11	22	28
M16	R0000630212	R0000630142	13	24	30
M20	R0000630222	R0000630152	16	30	37
M24	R0000630232	R0000630162	19	36	44

Packaging : 24 pieces ( for M10 ).  
8 pieces ( for M12, M14, M16, M20, M24 ).

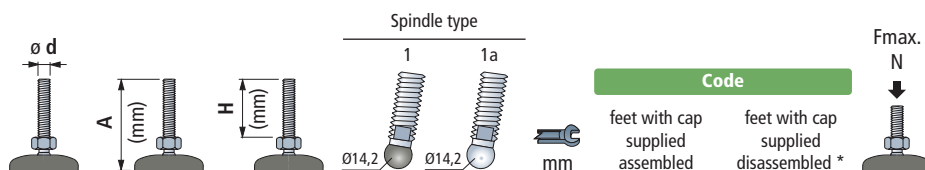
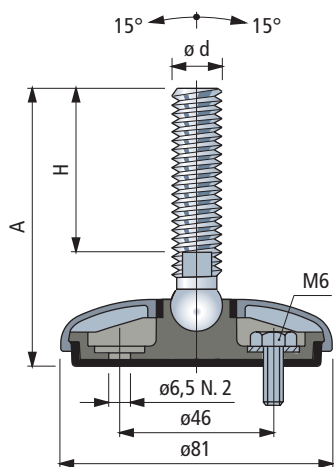


# Articulated Feet Gripper in stainless steel

- ✔ **Best choice**
- ✔ **Standard**
- **On request**

## Part. R0627

Microban® antibacterial protection



Spindle in stainless steel						Code		Fmax. N ↓
						feet with cap supplied assembled	feet with cap supplied disassembled *	
M10	100	70	1	-	8	627623	627653	8000
M12	85	55	1	-	10	627633	627663	
	145	115	1	-	10	627643	627673	
M14	110	76	-	1a	13	642102	647322	10000
	100	64	-	1a	13	642112	647332	
M16	115	81	-	1a	13	642122	647342	
	160	124	-	1a	13	642132	647352	
	185	151	-	1a	13	642142	647362	
M20	120	84	-	1a	16	642152	647372	
	185	149	-	1a	16	642162	647382	
M24	185	149	-	1a	19	642172	647392	

**Microban®** Foot base is supplied with Microban® antibacterial protection. By penetrating the cell wall of bacteria Microban® inhibits the growth of most common food poisoning bacteria, such as E.coli, Salmonella, Listeria, S-aureus, Campylobacter, which can cause contamination and odour.

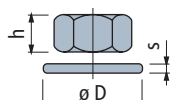
### Item code for order = Part. + Code

\* = Feet can be fixed to the floor.

- Protection cap material : stainless steel AISI 304.
- Base material : reinforced polypropylene with integrated anti-slip in thermoplastic rubber grey ( 80 Shore ). Materials are supplied with Microban® antibacterial protection.
- The sealing of the internal structure guarantees a better hygiene.
- Note : for spindles type 1 ball in reinforced polyamide.
- Packaging : 24 pieces.
- On request different length.
- Fmax. = maximum applicable load in static conditions.

### Accessories

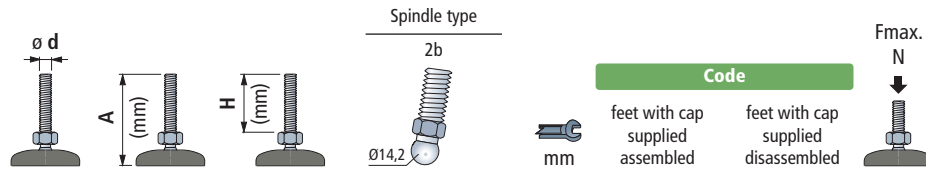
#### Nut + Washer



	Code	h mm	mm	øD mm	s mm
M10	R0000630182	8	17	21	2
M12	R0000630192	10	19	24	2,5
M14	R0000630202	11	22	28	2,5
M16	R0000630212	13	24	30	3
M20	R0000630222	16	30	37	3
M24	R0000630232	19	36	44	4

Packaging : 24 pieces ( for M10 ).  
8 pieces ( for M12, M14, M16, M20, M24 ).

- Best choice
- Standard
- ✓ On request



**Spindle in stainless steel**

Spindle	A (mm)	H (mm)	Spindle type	mm	Code	Code	Fmax. N
M10	95	67	2b	14	641972	647292	10000
M12	85	55	2b	14	641982	647302	
	145	115	2b	14	641992	647312	

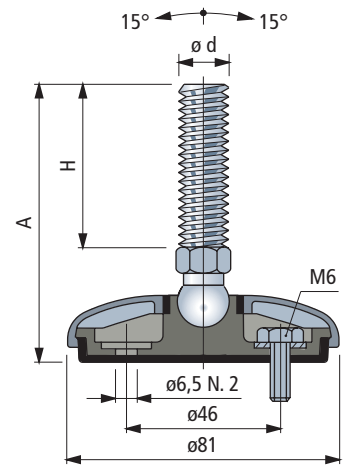
**Microban®** Foot base is supplied with Microban® antibacterial protection. By penetrating the cell wall of bacteria Microban® inhibits the growth of most common food poisoning bacteria, such as E.coli, Salmonella, Listeria, S-aureus, Campylobacter, which can cause contamination and odour.

**Item code for order = Part. + Code**

- \* = Feet can be fixed to the floor.
- Protection cap material : stainless steel AISI 304.
- Base material : reinforced polypropylene with integrated anti-slip in thermoplastic rubber grey ( 80 Shore ).
- Materials are supplied with Microban® antibacterial protection.
- The sealing of the internal structure guarantees a better hygiene.
- Note : for spindles type 1 ball in reinforced polyamide.
- Packaging : 24 pieces.
- On request different length.
- Fmax. = maximum applicable load in static conditions.

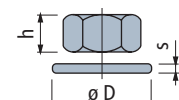
## Part. R0627

Microban® antibacterial protection



**Accessories**

**Nut + Washer**



	Code	Stainless steel AISI 304	h mm	s mm	øD mm
M10	R0000630182		8	17	21
M12	R0000630192		10	19	24
M14	R0000630202		11	22	28
M16	R0000630212		13	24	30
M20	R0000630222		16	30	37
M24	R0000630232		19	36	44

Packaging : 24 pieces ( for M10 ).  
8 pieces ( for M12, M14, M16, M20, M24 ).



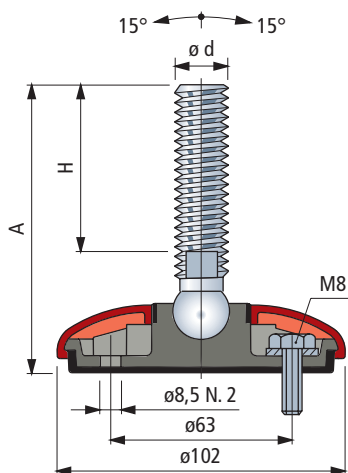
# Articulated Feet Gripper

in reinforced polypropylene

- ✔ **Best choice**
- ✔ **Standard**
- **On request**

## Part. R0622

Microban® antibacterial protection



### Protection cap

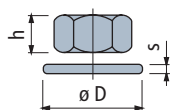


Colour	Code
Dark grey	R0622637052
White	R0622637062
Blue	R0622637072
Orange	R0622637082
Black	R0622639412

- Material : polypropylene PP, with Microban® antibacterial protection.
- Packaging : 24 pieces.
- Customized cap with customer logo.
- Other colours available upon request.

### Accessories

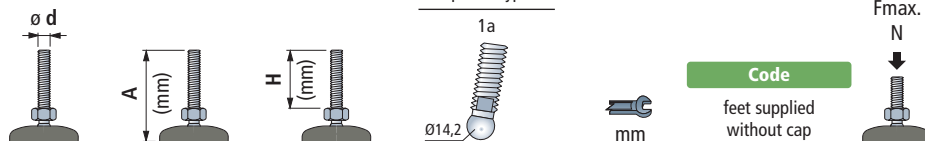
#### Nut + Washer



	Code		h mm	mm	øD mm	s mm
	Stainless steel AISI 304	Zinc plated steel				
M14	R0000630202	R0000630132	11	22	28	2,5
M16	R0000630212	R0000630142	13	24	30	3
M20	R0000630222	R0000630152	16	30	37	3
M24	R0000630232	R0000630162	19	36	44	4

Packaging : 8 pieces.

Spindle type



### Spindle in stainless steel

	A (mm)	H (mm)	Spindle type	mm	Code	Fmax. N 19500
M14	115	76	1a	11	643542	
	105	64	1a	13	643552	
	120	81	1a	13	643562	
M16	150	100	1a	13	640372N	
	165	124	1a	13	643572	
	190	151	1a	13	643582	
	200	150	1a	13	640392N	
M20	125	84	1a	16	643592	
	190	149	1a	16	643602	
M24	120	74	1a	19	640402N	
	190	146	1a	19	643612	
	220	172	1a	19	640412N	

### Spindle in zinc plated steel

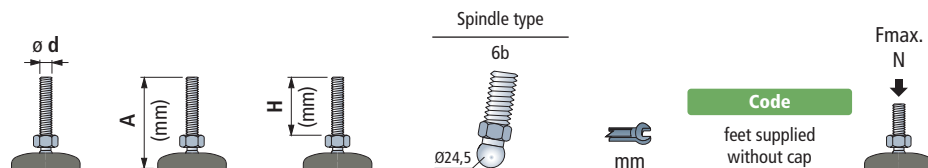
	A (mm)	H (mm)	Spindle type	mm	Code	Fmax. N 19500
M14	95	56	1a	11	643622	
	100	61	1a	13	643632	
M16	135	96	1a	13	643642	
	155	116	1a	13	643652	
	190	151	1a	13	643662	
M20	120	74	1a	16	637382N	
	140	100	1a	16	643672	
	155	106	1a	16	637392N	
	190	150	1a	16	643682	
	255	214	1a	16	643692	
M24	125	81	1a	19	643702	
	190	146	1a	19	643712	

**Microban®** Foot base and protection cap, supplied with Microban® antibacterial protection. By penetrating the cell wall of bacteria Microban® inhibits the growth of most common food poisoning bacteria, such as E.coli, Salmonella, Listeria, S-aureus, Campylobacter, which can cause contamination and odour.

#### Item code for order = Part. + Code

- \* = Feet are supplied without protection caps. Caps have to be ordered separately, indicating selected colour.
- Base material : reinforced polypropylene with integrated anti-slip in thermoplastic rubber grey ( 80 Shore ).
- Materials are supplied with Microban® antibacterial protection.
- The sealing of the internal structure guarantees a better hygiene.
- Feet can be fixed to the floor.
- Packaging : 24 pieces.
- On request different length.
- Fmax. = maximum applicable load in static conditions.

- Best choice
- Standard
- ✓ On request



### Spindle in stainless steel

	A (mm)	H (mm)	Spindle type	mm	Code	
M16	115	74	6b	24	637262	19500
	150	109	6b	24	637272	
	185	144	6b	24	637282	
	200	159	6b	24	637292	
M20	120	76	6b	24	637442	
	185	141	6b	24	637452	
M24	120	79	6b	24	637322	
	220	179	6b	24	637332	

### Spindle in zinc plated steel

	A (mm)	H (mm)	Spindle type	mm	Code	
M16	95	54	6b	24	637342	19500
	130	89	6b	24	637352	
	160	119	6b	24	637362	
	195	154	6b	24	637372	
M20	120	76	6b	24	637462	
	155	111	6b	24	637472	
	185	141	6b	24	637482	
M24	250	206	6b	24	637492	
	120	79	6b	24	637422	
	185	144	6b	24	637432	

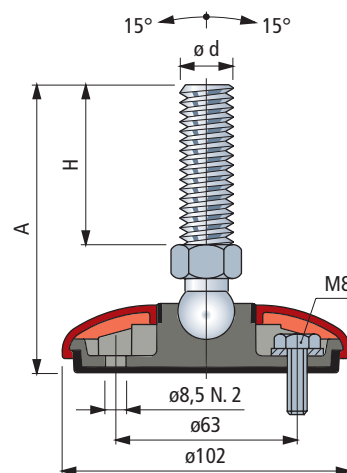
**Microban®** Foot base and protection cap, supplied with Microban® antibacterial protection. By penetrating the cell wall of bacteria Microban® inhibits the growth of most common food poisoning bacteria, such as E.coli, Salmonella, Listeria, S-aureus, Campylobacter, which can cause contamination and odour.

#### Item code for order = Part. + Code

- \* = Feet are supplied without protection caps. Caps have to be ordered separately, indicating selected colour.
- Base material : reinforced polypropylene with integrated anti-slip in thermoplastic rubber grey ( 80 Shore ).
- Materials are supplied with Microban® antibacterial protection.
- The sealing of the internal structure guarantees a better hygiene.
- Feet can be fixed to the floor.
- Packaging : 24 pieces.
- On request different length.
- Fmax. = maximum applicable load in static conditions.

## Part. R0622

Microban® antibacterial protection



#### Protection cap

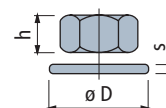


Colour	Code
Dark grey	R0622637052
White	R0622637062
Blue	R0622637072
Orange	R0622637082
Black	R0622639412

- Material : polypropylene PP, with Microban® antibacterial protection.
- Packaging : 24 pieces.
- Customized cap with customer logo.
- Other colours available upon request.

#### Accessories

##### Nut + Washer



	Code		h	s	ø D
	Stainless steel AISI 304	Zinc plated steel	mm	mm	mm
M14	R0000630202	R0000630132	11	22	28
M16	R0000630212	R0000630142	13	24	30
M20	R0000630222	R0000630152	16	30	37
M24	R0000630232	R0000630162	19	36	44

Packaging : 8 pieces.

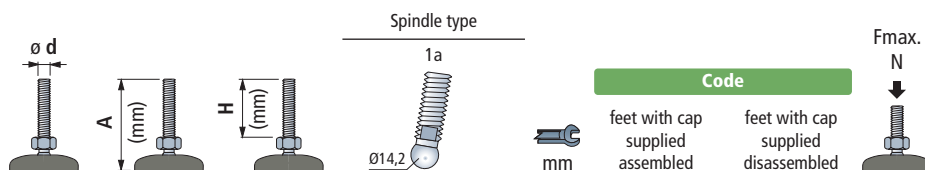
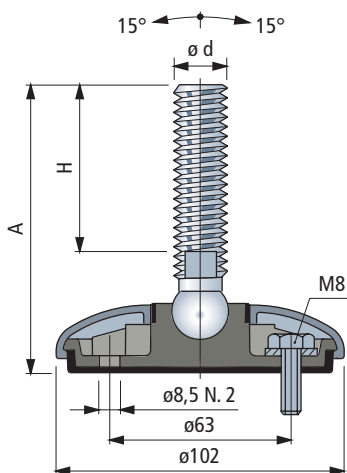


# Articulated Feet Gripper in stainless steel

- ✔ **Best choice**
- ✔ **Standard**
- **On request**

## Part. R0623

Microban® antibacterial protection



Spindle in stainless steel							Fmax. N ↓
Code	feet with cap supplied assembled	feet with cap supplied disassembled	Spindle type	mm	mm	mm	
M14	115	76	1a	11	643722	647402	19500
	105	64	1a	13	643732	647412	
	120	81	1a	13	643742	647442	
M16	150	100	1a	13	640492N	647462N	
	165	124	1a	13	643752	647472	
	190	151	1a	13	643762	647502	
	200	150	1a	13	640512N	647522N	
M20	125	84	1a	16	643772	647552	
	190	149	1a	16	643782	647582	
	120	74	1a	19	640522N	647602N	
M24	190	146	1a	19	643792	647612	
	220	172	1a	19	640532N	647632N	

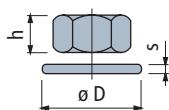
**Microban®** Foot base is supplied with Microban® antibacterial protection. By penetrating the cell wall of bacteria Microban® inhibits the growth of most common food poisoning bacteria, such as E.coli, Salmonella, Listeria, S-aureus, Campylobacter, which can cause contamination and odour.

### Item code for order = Part. + Code

- \* = Feet can be fixed to the floor.
- Protection cap material : stainless steel AISI 304.
- Base material : reinforced polypropylene with integrated anti-slip in thermoplastic rubber grey ( 80 Shore ). Materials are supplied with Microban® antibacterial protection.
- The sealing of the internal structure guarantees a better hygiene.
- Note : for spindles type 1 ball in reinforced polyamide.
- Packaging : 24 pieces.
- On request different length.
- Fmax. = maximum applicable load in static conditions.

### Accessories

#### Nut + Washer



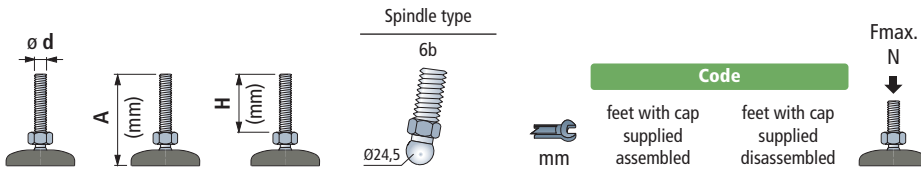
Code	Stainless steel AISI 304	h mm	mm	øD mm	s mm
M14	R0000630202	11	22	28	2,5
M16	R0000630212	13	24	30	3
M20	R0000630222	16	30	37	3
M24	R0000630232	19	36	44	4

Packaging : 8 pieces.

- Best choice
- Standard
- ✓ On request

Part. **R0623**

Microban® antibacterial protection



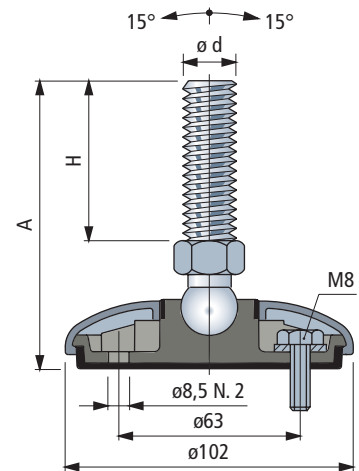
Spindle in stainless steel						
			Spindle type	mm	Code	
M16	115	74	6b	24	637512	647422
	150	109	6b	24	637522	647452
	185	144	6b	24	637532	647482
M20	200	159	6b	24	637542	647512
	120	74	6b	24	637692	647532
M24	185	139	6b	24	637702	647562
	120	79	6b	24	637572	647592
	220	179	6b	24	637582	647622

19500

**Microban®** Foot base is supplied with Microban® antibacterial protection. By penetrating the cell wall of bacteria Microban® inhibits the growth of most common food poisoning bacteria, such as E.coli, Salmonella, Listeria, S-aureus, Campylobacter, which can cause contamination and odour.

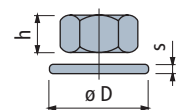
**Item code for order = Part. + Code**

- \* = Feet can be fixed to the floor.
- Protection cap material : stainless steel AISI 304.
- Base material : reinforced polypropylene with integrated anti-slip in thermoplastic rubber grey ( 80 Shore ).
- Materials are supplied with Microban® antibacterial protection.
- The sealing of the internal structure guarantees a better hygiene.
- Note : for spindles type 1 ball in reinforced polyamide.
- Packaging : 24 pieces.
- On request different length.
- Fmax. = maximum applicable load in static conditions.



**Accessories**

**Nut + Washer**



	Code	Stainless steel AISI 304	h mm	mm	øD mm	s mm
M14	R0000630202		11	22	28	2,5
M16	R0000630212		13	24	30	3
M20	R0000630222		16	30	37	3
M24	R0000630232		19	36	44	4

Packaging : 8 pieces.



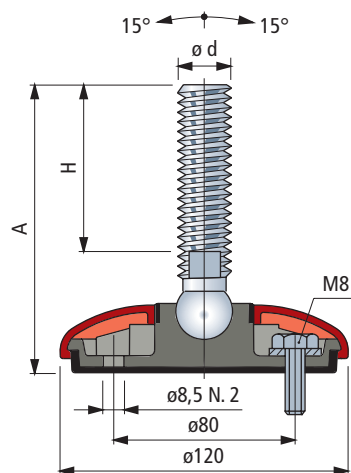
# Articulated Feet Gripper

in reinforced polypropylene

- ✔ **Best choice**
- ✔ **Standard**
- **On request**

## Part. R0628

Microban® antibacterial protection



### Protection cap

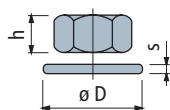


Colour	Code
Dark grey	R0628643062
White	R0628643072
Blue	R0628643082
Orange	R0628643092
Black	R0628643102

- Material : polypropylene PP, with Microban® antibacterial protection.
- Packaging : 24 pieces.
- Customized cap with customer logo.
- Other colours available upon request.

### Accessories

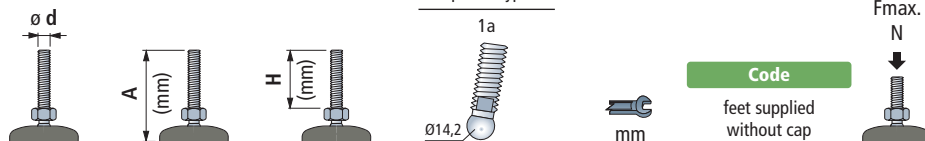
#### Nut + Washer



	Code		h mm	mm	øD mm	s mm
	Stainless steel AISI 304	Zinc plated steel				
M14	R0000630202	R0000630132	11	22	28	2,5
M16	R0000630212	R0000630142	13	24	30	3
M20	R0000630222	R0000630152	16	30	37	3
M24	R0000630232	R0000630162	19	36	44	4

Packaging : 8 pieces.

Spindle type



### Spindle in stainless steel

Spindle	A (mm)	H (mm)	Spindle type	mm	Code	Fmax. N
M14	120	76	1a	11	643802	22000
	110	64	1a	13	643812	
	125	81	1a	13	643822	
M16	155	100	1a	13	642472N	
	170	124	1a	13	643832	
	195	151	1a	13	643842	
	205	150	1a	13	642512N	
M20	130	84	1a	16	643852	
	195	149	1a	16	643862	
M24	125	74	1a	19	642572N	
	195	146	1a	19	643872	
	225	172	1a	19	642592N	

### Spindle in zinc plated steel

Spindle	A (mm)	H (mm)	Spindle type	mm	Code	Fmax. N
M14	100	56	1a	11	643882	22000
	105	61	1a	13	643892	
M16	140	96	1a	13	643902	
	160	116	1a	13	643912	
	195	151	1a	13	643922	
M20	125	74	1a	16	642692N	
	145	100	1a	16	643932	
	160	106	1a	16	642712N	
	195	150	1a	16	643942	
	260	214	1a	16	643952	
M24	130	81	1a	19	643962	
	195	146	1a	19	643972	



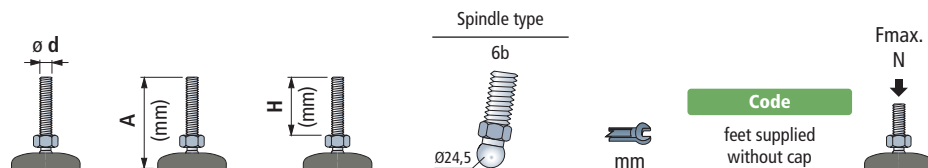
Foot base and protection cap, supplied with Microban® antibacterial protection. By penetrating the cell wall of bacteria Microban® inhibits the growth of most common food poisoning bacteria, such as E.coli, Salmonella, Listeria, S-aureus, Campylobacter, which can cause contamination and odour.

### Item code for order = Part. + Code

- \* = Feet are supplied without protection caps. Caps have to be ordered separately, indicating selected colour.
- Base material : reinforced polypropylene with integrated anti-slip in thermoplastic rubber grey ( 80 Shore ).
- Materials are supplied with Microban® antibacterial protection.
- The sealing of the internal structure guarantees a better hygiene.
- Feet can be fixed to the floor.
- Packaging : 24 pieces.
- On request different length.
- Fmax. = maximum applicable load in static conditions.



- Best choice
- Standard
- ✓ On request



Spindle in stainless steel					
M16	120	74	6b	24	642442
	155	109	6b	24	642462
	190	144	6b	24	642482
	205	159	6b	24	642502
M20	125	76	6b	24	642522
	190	141	6b	24	642542
M24	125	79	6b	24	642562
	225	179	6b	24	642582

22000

Spindle in zinc plated steel					
M16	100	54	6b	24	642602
	135	89	6b	24	642622
	165	119	6b	24	642642
	200	154	6b	24	642662
M20	125	76	6b	24	642682
	160	111	6b	24	642702
	190	141	6b	24	642722
M24	255	206	6b	24	642742
	125	79	6b	24	642762
	190	144	6b	24	642782

22000

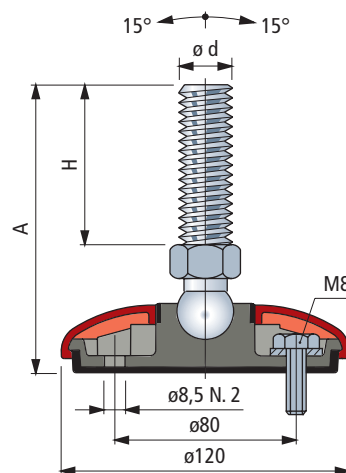
**Microban®** Foot base and protection cap, supplied with Microban® antibacterial protection. By penetrating the cell wall of bacteria Microban® inhibits the growth of most common food poisoning bacteria, such as E.coli, Salmonella, Listeria, S-aureus, Campylobacter, which can cause contamination and odour.

**Item code for order = Part. + Code**

- \* = Feet are supplied without protection caps. Caps have to be ordered separately, indicating selected colour.
- Base material : reinforced polypropylene with integrated anti-slip in thermoplastic rubber grey ( 80 Shore ).
- Materials are supplied with Microban® antibacterial protection.
- The sealing of the internal structure guarantees a better hygiene.
- Feet can be fixed to the floor.
- Packaging : 24 pieces.
- On request different length.
- Fmax. = maximum applicable load in static conditions.

## Part. R0628

Microban® antibacterial protection



**Protection cap**

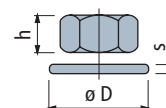


Colour	Code
Dark grey	R0628643062
White	R0628643072
Blue	R0628643082
Orange	R0628643092
Black	R0628643102

- Material : polypropylene PP, with Microban® antibacterial protection.
- Packaging : 24 pieces.
- Customized cap with customer logo.
- Other colours available upon request.

**Accessories**

**Nut + Washer**



	Code		h	ø D	s
	Stainless steel AISI 304	Zinc plated steel	mm	mm	mm
M14	R0000630202	R0000630132	11	22	28 2,5
M16	R0000630212	R0000630142	13	24	30 3
M20	R0000630222	R0000630152	16	30	37 3
M24	R0000630232	R0000630162	19	36	44 4

Packaging : 8 pieces.

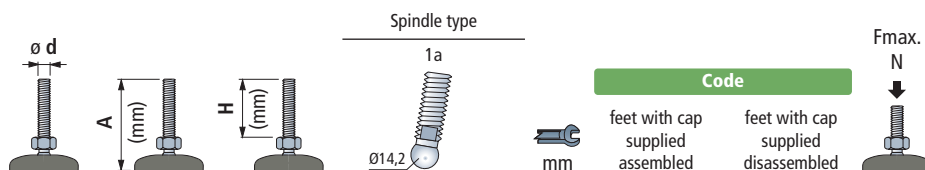
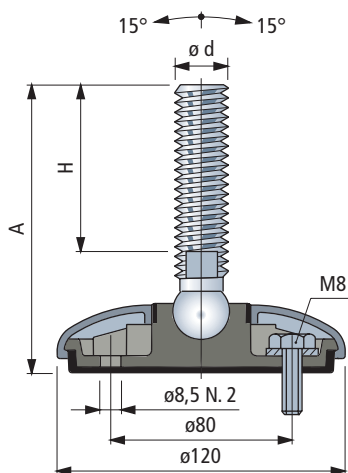
# Articulated Feet Gripper

in stainless steel

- ✔ **Best choice**
- ✔ **Standard**
- **On request**

## Part. R0629

Microban® antibacterial protection



Spindle in stainless steel					Code		Fmax. N ↓
	A (mm)	H (mm)	Spindle type	mm	feet with cap supplied assembled	feet with cap supplied disassembled	
M14	120	76	1a	11	643982	647642	22000
	110	64	1a	13	643992	647652	
	125	81	1a	13	644002	647682	
M16	155	100	1a	13	642312N	647702N	
	170	124	1a	13	644012	647712	
	195	151	1a	13	644022	647742	
	205	150	1a	13	642352N	647762N	
M20	130	84	1a	16	644032	647792	
	195	149	1a	16	644042	647822	
M24	125	74	1a	19	642412N	647842N	
	195	146	1a	19	644052	647852	
	225	172	1a	19	642432N	647872N	

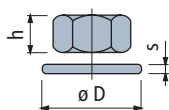
**Microban®** antibacterial protection. Foot base and protection cap, supplied with Microban® antibacterial protection. By penetrating the cell wall of bacteria Microban® inhibits the growth of most common food poisoning bacteria, such as E.coli, Salmonella, Listeria, S-aureus, Campylobacter, which can cause contamination and odour.

### Item code for order = Part. + Code

- \* = Feet are supplied without protection caps. Caps have to be ordered separately, indicating selected colour.
- Base material : reinforced polypropylene with integrated anti-slip in thermoplastic rubber grey ( 80 Shore ).
- Materials are supplied with Microban® antibacterial protection.
- The sealing of the internal structure guarantees a better hygiene.
- Feet can be fixed to the floor.
- Packaging : 24 pieces.
- On request different length.
- Fmax. = maximum applicable load in static conditions.

### Accessories

#### Nut + Washer



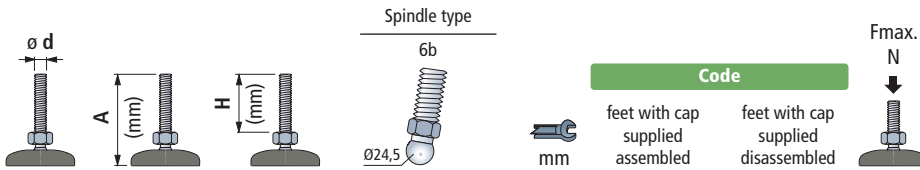
	Code	h mm	Washer øD mm	s mm
M14	R0000630202	11	22	2,5
M16	R0000630212	13	24	3
M20	R0000630222	16	30	3
M24	R0000630232	19	36	4

Packaging : 8 pieces.

- Best choice
- Standard
- ✓ On request

## Part. R0629

Microban® antibacterial protection



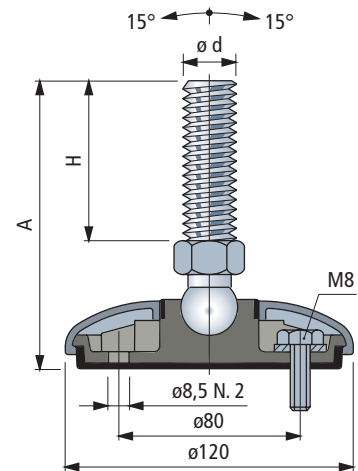
Spindle in stainless steel				Code		22000
			mm	feet with cap supplied assembled	feet with cap supplied disassembled	
M16	120	74	6b	24	642282	647662
	155	109	6b	24	642302	647692
	190	144	6b	24	642322	647722
	205	159	6b	24	642342	647752
M20	125	76	6b	24	642362	647772
	190	141	6b	24	642382	647802
M24	125	79	6b	24	642402	647832
	225	179	6b	24	642422	647862



**Microban®** Foot base and protection cap, supplied with Microban® antibacterial protection. By penetrating the cell wall of bacteria Microban® inhibits the growth of most common food poisoning bacteria, such as E.coli, Salmonella, Listeria, S-aureus, Campylobacter, which can cause contamination and odour.

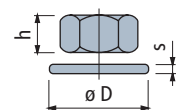
### Item code for order = Part. + Code


- \* = Feet are supplied without protection caps. Caps have to be ordered separately, indicating selected colour.
- Base material : reinforced polypropylene with integrated anti-slip in thermoplastic rubber grey ( 80 Shore ).
- Materials are supplied with Microban® antibacterial protection.
- The sealing of the internal structure guarantees a better hygiene.
- Feet can be fixed to the floor.
- Packaging : 24 pieces.
- On request different length.
- Fmax. = maximum applicable load in static conditions.



### Accessories

#### Nut + Washer



	Code	h		$\phi D$	s
	Stainless steel AISI 304	mm	mm	mm	mm
M14	R0000630202	11	22	28	2,5
M16	R0000630212	13	24	30	3
M20	R0000630222	16	30	37	3
M24	R0000630232	19	36	44	4

Packaging : 8 pieces.

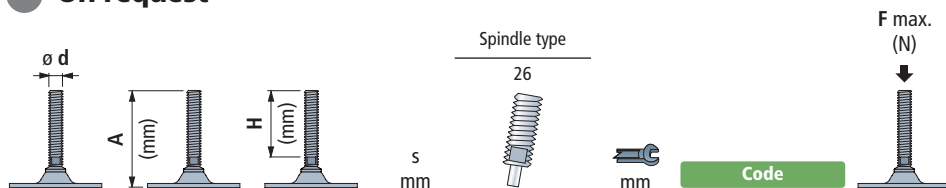
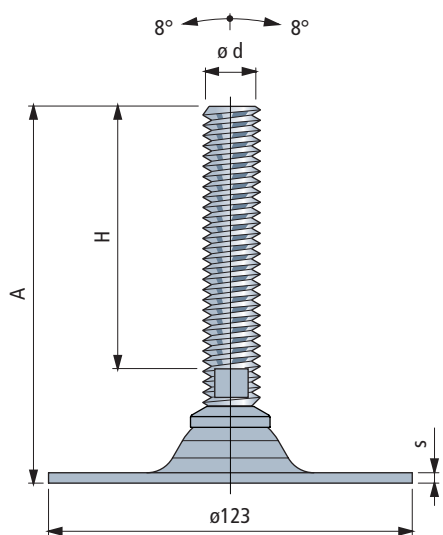
Ø123

# Articulated feet

in stainless steel and zinc plated steel

- ✔ Best choice
- ✔ Standard
- On request

Part. **R0351**



Feet in stainless steel							6000
Size	A (mm)	H (mm)	s (mm)	Spindle type	Washer thickness (mm)	Code	
M16	180	140	3	26	13	678721N	
M20	180	139	3	26	17	61106N	
M24	220	177	3	26	19	63797N	
M30	165	117	3	26	24	66014N	
	225	177	3	26	24	678741N	

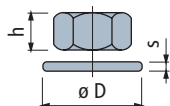
Feet in zinc plated steel							10000
Size	A (mm)	H (mm)	s (mm)	Spindle type	Washer thickness (mm)	Code	
M20	150	109	4	26	17	678661N	
	180	139	4	26	17	63767N	
	240	199	4	26	17	678671N	
M24	120	77	4	26	19	678681N	
	150	107	4	26	19	678691N	
	210	167	4	26	19	63777N	
	270	227	4	26	19	688101N	
M30	165	117	4	26	24	63787N	
	225	177	4	26	24	678711N	
	300	247	4	26	24	688111N	

Item code for order = Part. + Code

- Packaging : 8 pieces.
- On request different length.
- Fmax. = maximum applicable load in static conditions.

Accessories

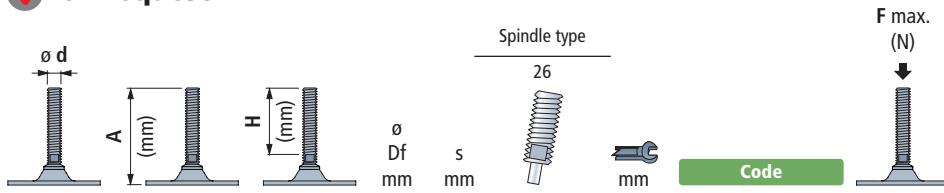
Nut + Washer



Code		h (mm)	ø D (mm)	s (mm)
Stainless steel AISI 304	Zinc plated steel			
M16 R0000630212	R0000630142	13	24	30
M20 R0000630222	R0000630152	16	30	37
M24 R0000630232	R0000630162	19	36	44
M30 R0000630242	R0000630172	24	46	56

Packaging : 8 pieces.

- Best choice
- Standard
- ✓ On request



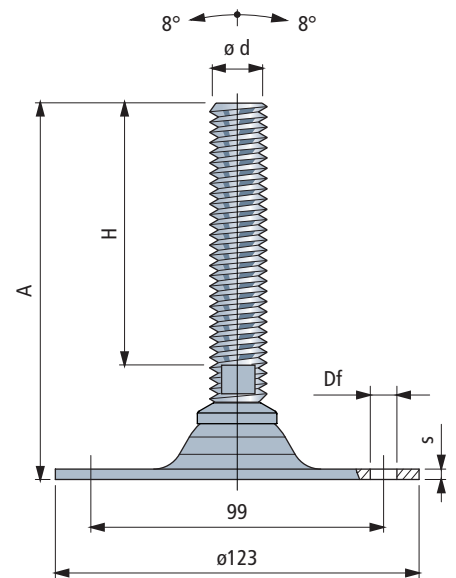
Feet in zinc plated steel								
M24	150	107	15,5	4	26	19	600531N	10000

**Item code for order = Part. + Code**

- Packaging : 8 pieces.
- On request different length.
- Fmax. = maximum applicable load in static conditions.

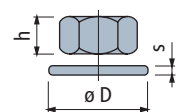
**Part. R0441**

With 2 fixing holes



■ Accessories

**Nut + Washer**



Code		h	ø D	s
Zinc plated steel		mm	mm	mm
M24	<b>R0000630162</b>	19	36	44

Packaging : 8 pieces.

Ø123

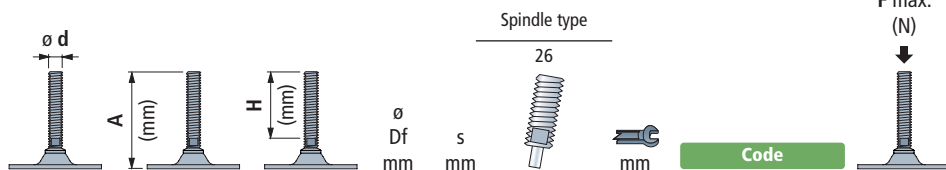
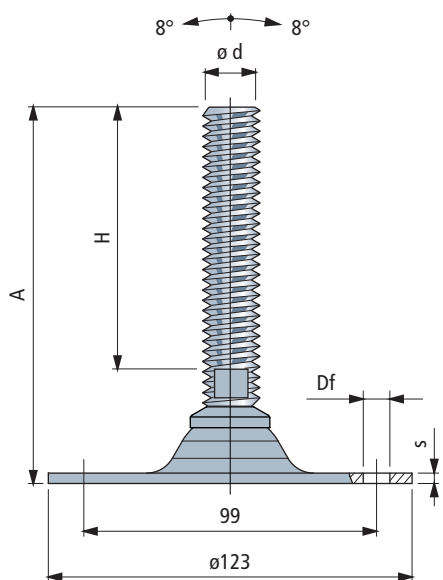
# Articulated feet

in stainless steel and zinc plated steel

- Best choice
- Standard
- On request

Part. **R0349**

With 4 fixing holes



Feet in stainless steel								6000
Metric	A (mm)	H (mm)	ø Df (mm)	s (mm)	Spindle type	Code		
M16	180	140	9	3	26	13	682721N	
M20	180	139	9	3	26	17	68165N	
M24	220	177	9	3	26	19	63747N	
M30	165	117	9	3	26	24	63757N	
	225	177	9	3	26	24	682741N	

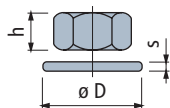
Feet in zinc plated steel								10000
Metric	A (mm)	H (mm)	ø Df (mm)	s (mm)	Spindle type	Code		
M20	150	109	9	4	26	17	682681N	
	180	139	9	4	26	17	65634N	
	240	199	9	4	26	17	64045N	
M24	120	77	9	4	26	19	682691N	
	150	107	9	4	26	19	604432N	
	210	167	9	4	26	19	65054N	
	270	227	9	4	26	19	688131N	
M30	165	117	9	4	26	24	65644N	
	225	177	9	4	26	24	682711N	
	300	247	9	4	26	24	688141N	

Item code for order = Part. + Code

- Packaging : 8 pieces.
- On request different length.
- Fmax. = maximum applicable load in static conditions.

Accessories

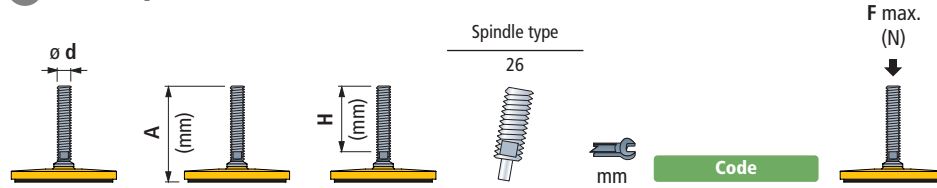
Nut + Washer



Metric	Code		h (mm)	Washer ø D (mm)	s (mm)
	Stainless steel AISI 304	Zinc plated steel			
M16	R0000630212	R0000630142	13	24	30
M20	R0000630222	R0000630152	16	30	37
M24	R0000630232	R0000630162	19	36	44
M30	R0000630242	R0000630172	24	46	56

Packaging : 8 pieces.

- ✔ **Best choice**
- ✔ **Standard**
- **On request**



Spindle in stainless steel					
M16	180	140	26	13	678831N
M20	180	139	26	17	678841N
M24	220	177	26	19	678851N
M30	165	117	26	24	678861N
	225	177	26	24	678881N

50000

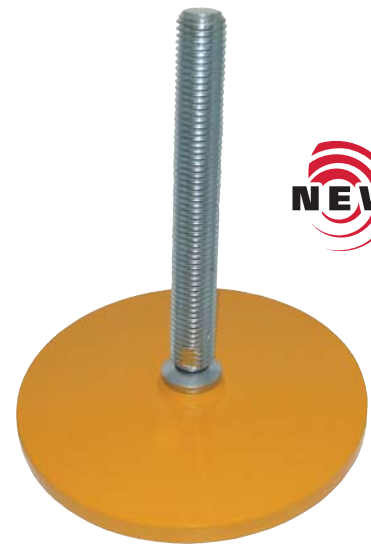
Spindle in zinc plated steel					
M20	150	109	26	17	678761N
	180	139	26	17	678771N
	240	199	26	17	678781N
M24	120	77	26	19	678791N
	150	107	26	19	61396N
	210	167	26	19	678801N
	270	227	26	19	688221N
M30	165	117	26	24	678811N
	225	177	26	24	678821N
	295	247	26	24	688231N

50000

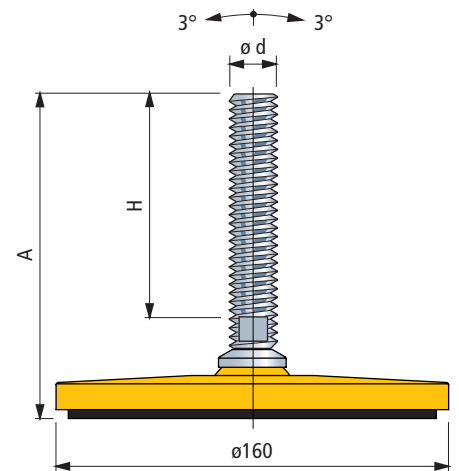
**Item code for order = Part. + Code**

- Material : footplate in painted steel yellow. Anti-slip in NBR rubber black ( 70 Shore ).
- Packaging : 4 pieces.
- On request different length.
- Fmax. = maximum applicable load in static conditions.

**Part. R0408**

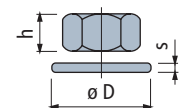


**NEW**



**Accessories**




**Nut + Washer**



Code		h	ø D	s
Stainless steel AISI 304	Zinc plated steel	mm	mm	mm
M16 R0000630212	R0000630142	13	24	30
M20 R0000630222	R0000630152	16	30	37
M24 R0000630232	R0000630162	19	36	44
M30 R0000630242	R0000630172	24	46	56

Packaging : 8 pieces.

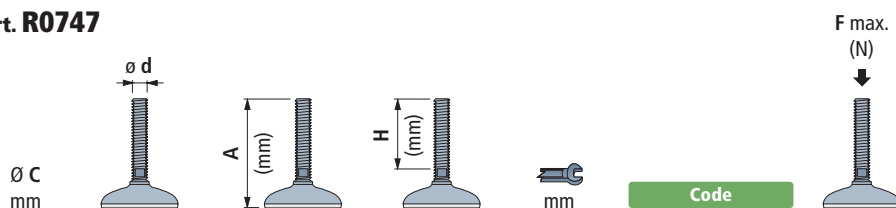
# Articulated feet in stainless steel

-  **Best choice**
-  **Standard**
-  **On request**

Part. **R0747**  
Part. **R0748**  
Part. **R0749**



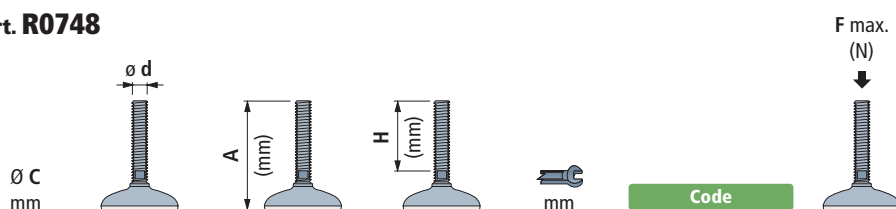
## Part. R0747



### Feet in stainless steel

	100	55	13	Code	
M16	100	55	13	602003	25000
	182	136	13	602013	
M20	187	139	16	602023	
M24	217	167	19	602033	
M30	165	115	27	620793	
	215	165	27	620803	

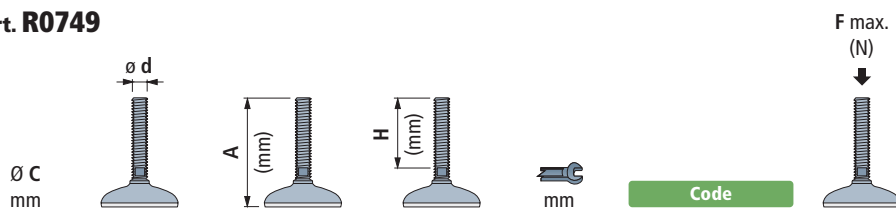
## Part. R0748



### Feet in stainless steel

	103	55	13	Code	
M16	103	55	13	602043	25000
	185	136	13	602053	
M20	190	139	16	602063	
M24	220	167	19	602073	
M30	168	115	27	620813	
	218	165	27	620823	

## Part. R0749

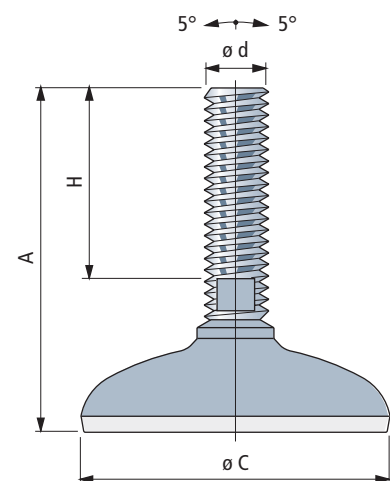


### Feet in stainless steel

	190	55	13	Code	
M16	190	55	13	602093	25000
M20	195	139	16	602103	
M24	225	167	19	602113	
M30	173	115	27	620833	
	223	165	27	620843	

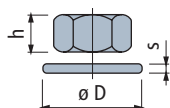
### Item code for order = Part. + Code

- Material :  
Spindle in austenitic stainless steel.  
Footplate in austenitic stainless steel.  
Anti-slip in vulcanized NBR rubber ( grey ), 75 Shore.
- Packaging : 8 pieces.
- On request different length.
- Fmax. = maximum applicable load in static conditions.



### Accessories

Nut + Washer

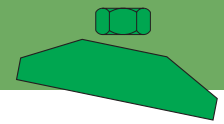


	Code	h	øD	s
Stainless steel AISI 304		mm	mm	mm
M16	R0000630212	13	24	30
M20	R0000630222	16	30	37
M24	R0000630232	19	36	44
M30	R0000630242	24	46	56

Packaging : 8 pieces.

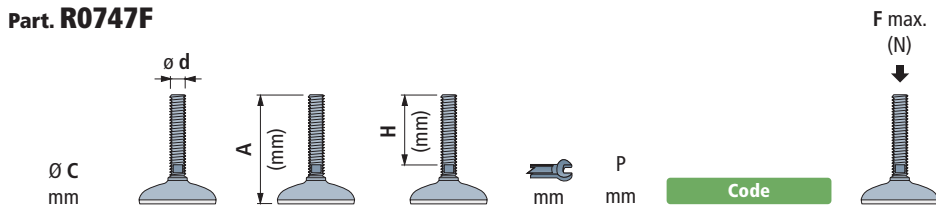


# Articulated feet in stainless steel



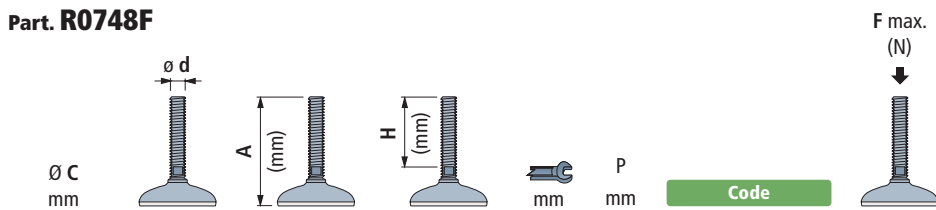
- Best choice
- Standard
- On request

## Part. R0747F



Feet in stainless steel						
Ø C (mm)	A (mm)	H (mm)	P (mm)	Code		
 ø 80	M16	100	55	13	55	616053
		182	136	13	55	616063
	M20	187	139	16	55	616073
	M24	217	167	19	55	616083
	M30	165	115	27	55	620853
	215	165	27	55	620863	25000

## Part. R0748F



Feet in stainless steel						
Ø C (mm)	A (mm)	H (mm)	P (mm)	Code		
 ø 100	M16	103	55	13	67	616093
		185	136	13	67	616103
	M20	190	139	16	67	616113
	M24	220	167	19	67	616123
	M30	168	115	27	67	620873
	218	165	27	67	620883	25000

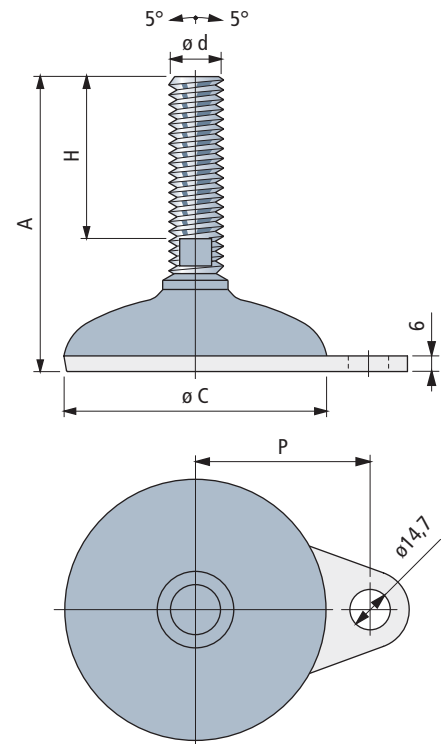
### Item code for order = Part. + Code

- Material :  
Spindle in austenitic stainless steel.  
Footplate in austenitic stainless steel.  
Anti-slip in vulcanized NBR rubber ( grey ), 75 Shore.
- Packaging : 8 pieces.
- On request different length.
- Fmax. = maximum applicable load in static conditions.

Part. **R0747F**  
Part. **R0748F**

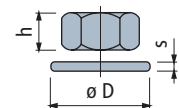


**NEW**



### Accessories




#### Nut + Washer



Code		h (mm)	Ø (mm)	s (mm)
Stainless steel AISI 304				
M16	R0000630212	13	24	30
M20	R0000630222	16	30	37
M24	R0000630232	19	36	44
M30	R0000630242	24	46	56

Packaging : 8 pieces.

# Articulated feet in stainless steel

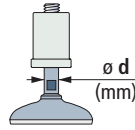
-  **Best choice**
-  **Standard**
-  **On request**

Part. **R0750**  
Part. **R0751**  
Part. **R0752**



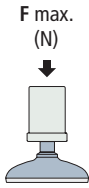
## Part. R0750

Ø C  
mm




mm

Code

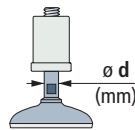


### Feet in stainless steel

	16	13	602123	12000
	20	16	602133	

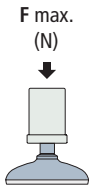
## Part. R0751

Ø C  
mm




mm

Code

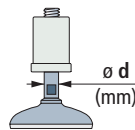


### Feet in stainless steel

	16	13	602143	12000
	20	16	602153	

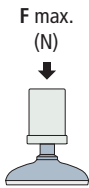
## Part. R0752

Ø C  
mm




mm

Code



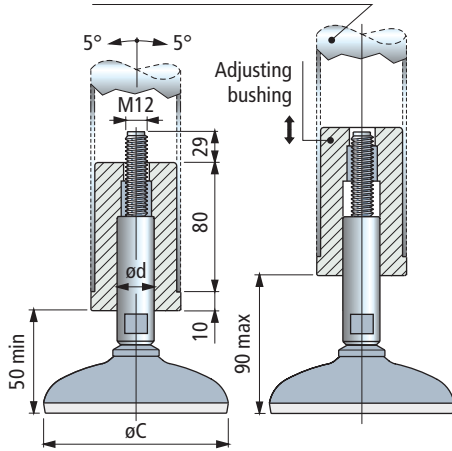
### Feet in stainless steel

	16	13	602163	12000
	20	16	602173	

### Item code for order = Part. + Code

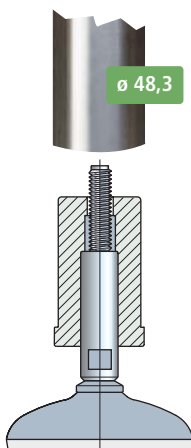
- Material :  
Spindle in austenitic stainless steel.  
Footplate in austenitic stainless steel.  
Anti-slip in vulcanized NBR rubber ( grey ), 75 Shore.  
Adjusting bushing in reinforced polyamide PAFV ( white ) with Microban®.  
Threaded bushing in nickel plated brass.
- Packaging : 8 pieces.
- On request different length.
- Fmax. = maximum applicable load in static conditions.

Frame supporting tubes  
Ø 48,3 ( 1"1/2 ) thickness 1,5



### Assembly

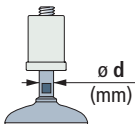


Can be used with  
frame supporting tubes  
dia. 48,3 mm ( 1"1/2 ),  
thickness 1,5 mm.



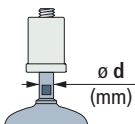


## Articulated feet in stainless steel

- ✔ **Best choice**
- ✔ **Standard**
- **On request**

### Part. R0750F

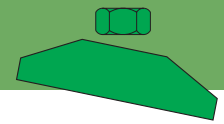
$\varnothing C$ mm	 $\varnothing d$ (mm)	 mm	P mm	Code	F max. (N)
<b>Feet in stainless steel</b>					
 $\varnothing 80$	16	13	55	616133	12000
	20	16	55	616143	

### Part. R0751F

$\varnothing C$ mm	 $\varnothing d$ (mm)	 mm	P mm	Code	F max. (N)
<b>Feet in stainless steel</b>					
 $\varnothing 100$	16	13	67	616153	12000
	20	16	67	616163	

#### Item code for order = Part. + Code

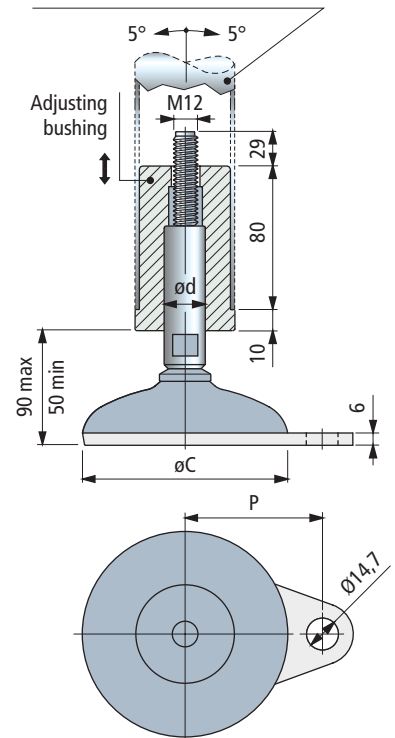
- Material :  
Spindle in austenitic stainless steel.  
Footplate in austenitic stainless steel.  
Anti-slip in vulcanized NBR rubber ( grey ), 75 Shore.  
Adjusting bushing in reinforced polyamide PAFV ( white ) with Microban®.  
Threaded bushing in nickel plated brass.
- Packaging : 8 pieces.
- On request different length.
- Fmax. = maximum applicable load in static conditions.



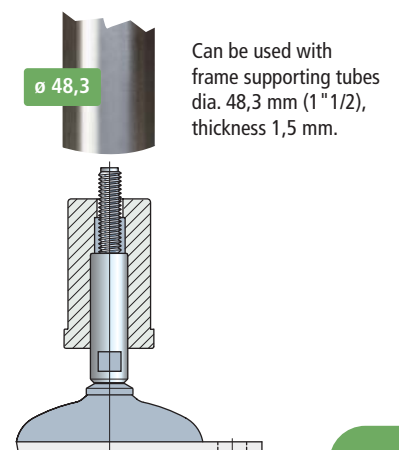
Part. **R0750F**  
Part. **R0751F**






Frame supporting tubes  
 $\varnothing 48,3$  ( 1" 1/2 ) thickness 1,5



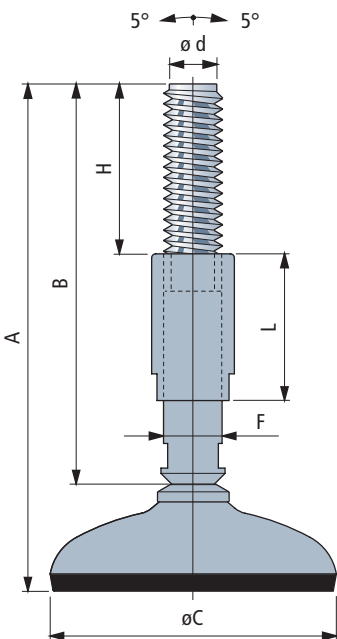
#### Assembly



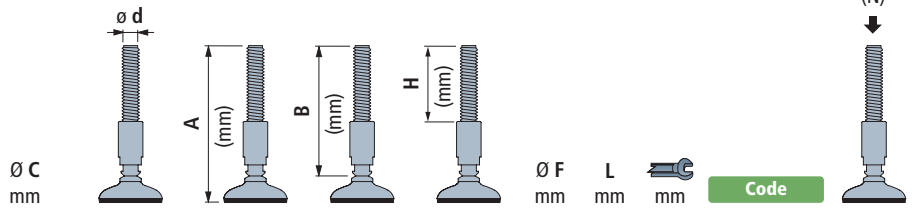
# Articulated feet in stainless steel

-  **Best choice**
-  **Standard**
-  **On request**

Part. **R0750S**  
Part. **R0751S**  
Part. **R0752S**



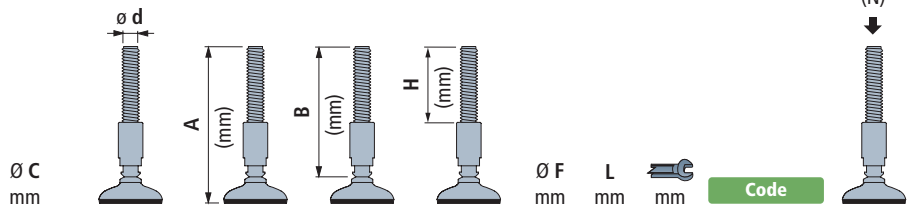
Part. **R0750S**



**Feet in stainless steel**

Ø C mm	Feet in stainless steel			Ø F mm	L mm	Key mm	Code	F max. (N)
	200	165	100					
M16	200	165	100	23	55	13	613603	25000
	250	215	120	23	85	13	613613	
M20	200	165	100	27	55	16	613623	
	250	215	120	27	85	16	613633	
M24	200	165	100	31	55	19	613643	
	250	215	120	31	85	19	613653	

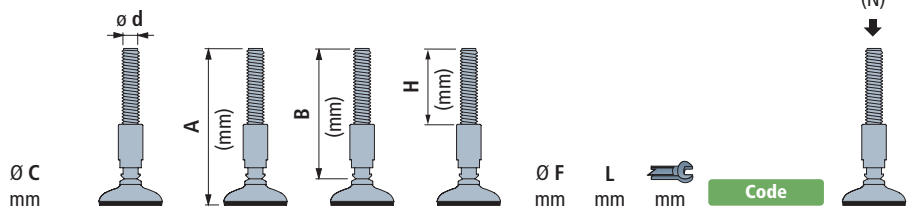
Part. **R0751S**



**Feet in stainless steel**

Ø C mm	Feet in stainless steel			Ø F mm	L mm	Key mm	Code	F max. (N)
	200	165	100					
M16	200	165	100	23	55	13	613663	50000
	250	215	120	23	85	13	613673	
M20	200	165	100	27	55	16	613683	
	250	215	120	27	85	16	613693	
M24	200	165	100	31	55	19	613703	
	250	215	120	31	85	19	613713	

Part. **R0752S**



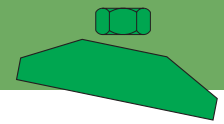
**Feet in stainless steel**

Ø C mm	Feet in stainless steel			Ø F mm	L mm	Key mm	Code	F max. (N)
	200	165	100					
M16	200	165	100	23	55	13	613723	50000
	250	215	120	23	85	13	613733	
M20	200	165	100	27	55	16	613743	
	250	215	120	27	85	16	613753	
M24	200	165	100	31	55	19	613763	
	250	215	120	31	85	19	613773	

**Item code for order = Part. + Code**

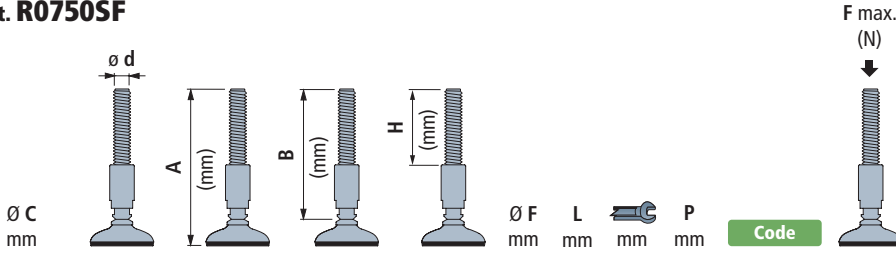
- Material :  
Spindle and threaded bushing in austenitic stainless steel.  
Footplate in austenitic stainless steel.  
Anti-slip in vulcanized NBR rubber ( black ), 95 Shore.
- Packaging : 8 pieces.
- Fmax. = maximum applicable load in static conditions.

# Articulated feet in stainless steel



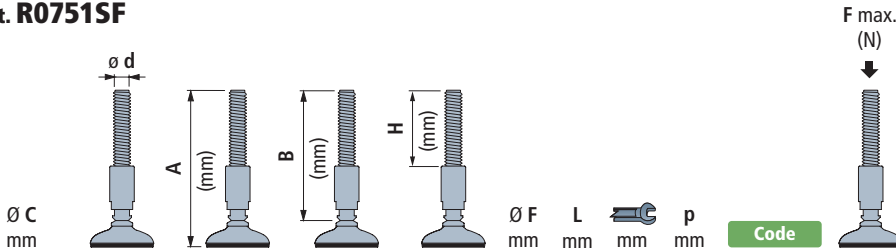
- ✔ **Best choice**
- ✔ **Standard**
- **On request**

## Part. R0750SF



Feet in stainless steel										
Ø C mm	M	B (mm)		H (mm)		Ø F mm	L mm	P mm	Code	F max. (N)
		200	250	100	120					
80	M16	200	250	100	120	23	55	13	55	25000
80	M20	200	250	100	120	27	55	16	55	25000
80	M24	200	250	100	120	31	55	19	55	25000

## Part. R0751SF

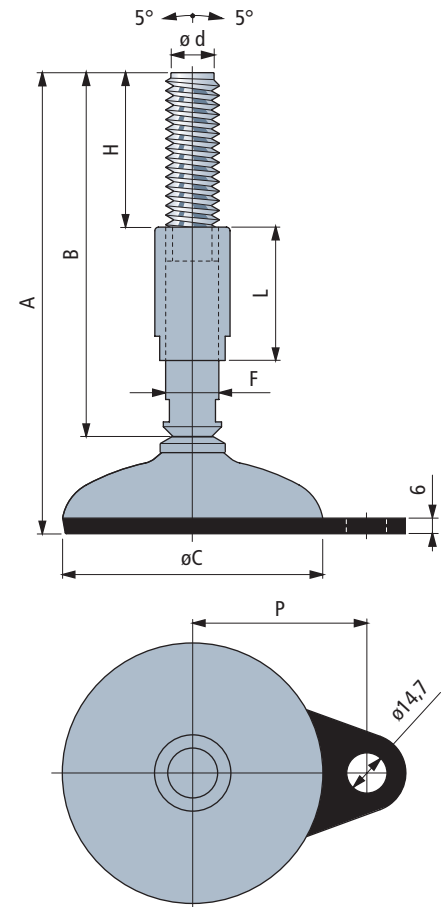


Feet in stainless steel										
Ø C mm	M	B (mm)		H (mm)		Ø F mm	L mm	p mm	Code	F max. (N)
		200 <th>250 <th>100 <th>120 <th>55 <th>85 </th></th></th></th></th>	250 <th>100 <th>120 <th>55 <th>85 </th></th></th></th>	100 <th>120 <th>55 <th>85 </th></th></th>	120 <th>55 <th>85 </th></th>					
100	M16	200	250	100	120	23	55	13	67	50000
100	M20	200	250	100	120	27	55	16	67	50000
100	M24	200	250	100	120	31	55	19	67	50000

### Item code for order = Part. + Code




- Material :  
Spindle and threaded bushing in austenitic stainless steel.  
Footplate in austenitic stainless steel.  
Anti-slip in vulcanized NBR rubber ( black ), 95 Shore.
- Packaging : 8 pieces.
- Fmax. = maximum applicable load in static conditions.

## Part. R0750SF Part. R0751SF

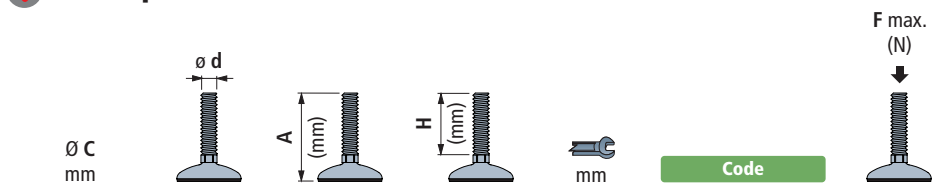



Articulated feet  
in stainless steel



-  **Best choice**
-  **Standard**
-  **On request**

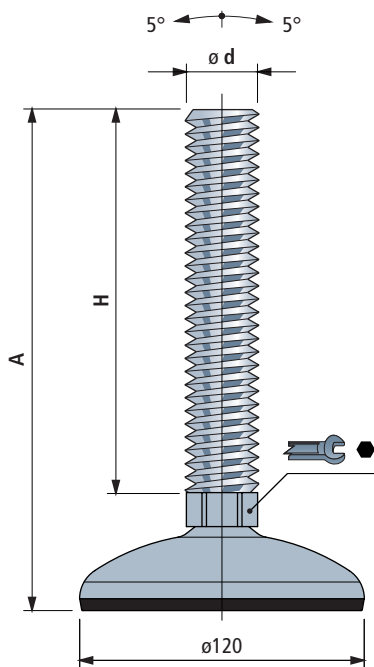
Part. **R0749**



Feet in stainless steel						
					Code	F max. (N)
M30	250	200	27	616433	50000	
M36	265	216	32	628033		

Item code for order = Part. + Code

- Material :  
Spindle in austenitic stainless steel.  
Footplate in austenitic stainless steel.  
Anti-slip in vulcanized NBR rubber ( black ), 95 Shore.
- Packaging : 8 pieces.
- On request different length.
- Fmax. = maximum applicable load in static conditions.



**F max.  
(Newton)**



**HIGH WORKING LOAD  
IDEAL FOR MACHINES**

**Articulated feet**  
in stainless steel



- **Best choice**
- **Standard**
- ✓ **On request**



**Part. R0773**

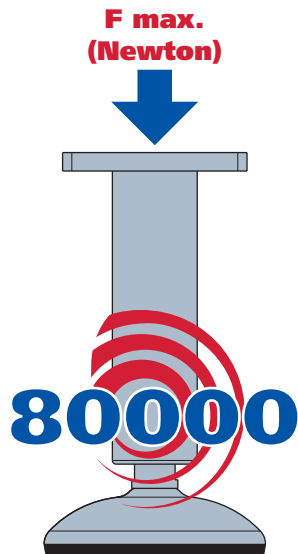


**PATENT**

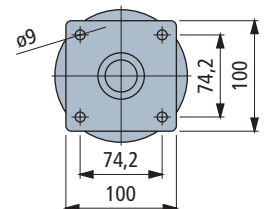
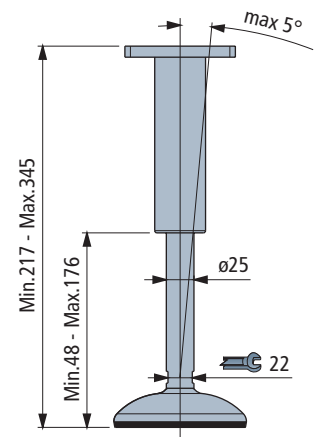
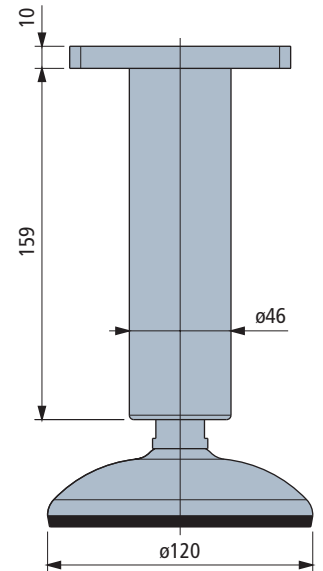
Ø C mm	Code	
<b>Feet in stainless steel</b>		
ø120	611233	80000

**Item code for order = Part. + Code**

- Material :
- Spindle and threaded bushing in austenitic stainless steel.
- Footplate in austenitic stainless steel.
- Anti-slip in vulcanized NBR rubber ( black ), 95 Shore.
- Packaging : 8 pieces.
- Fixing flange with special dimensions available upon request.
- Fmax. = maximum applicable load in static conditions.



**HIGH WORKING LOAD  
IDEAL FOR MACHINES**

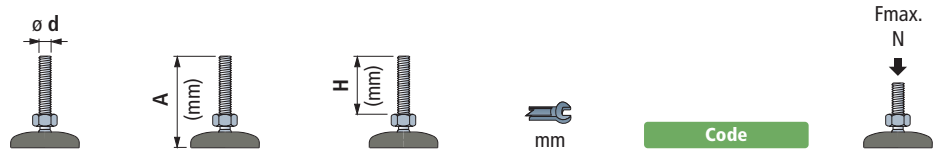




**Fixed feet**  
in reinforced polyamide

Part. **R0600**

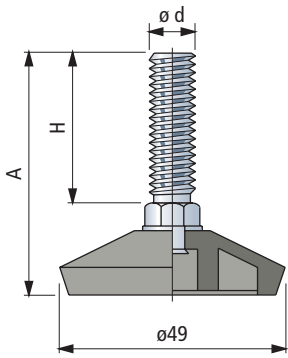
- ✔ **Best choice**
- **Standard**
- **On request**



Spindle in zinc plated steel					
M10	50	30	10	Code	Fmax. N
				68582	2000

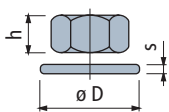
**Item code for order = Part. + Code**

- Footplate material : reinforced polyamide PA FV ( black ).
- Packaging : 48 pieces.
- Fmax. = maximum applicable load in static conditions.



■ **Accessories**

**Nut + Washer**



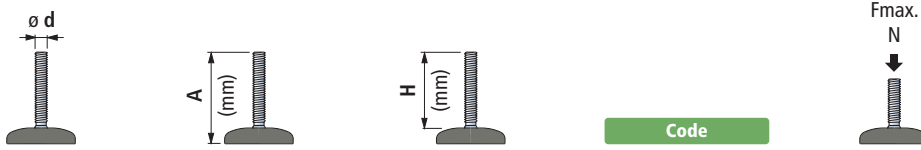
Code		h	øD	s
	Zinc plated steel	mm	mm	mm
M10	<b>R0000630112</b>	8	17	21

Packaging : 24 pieces.



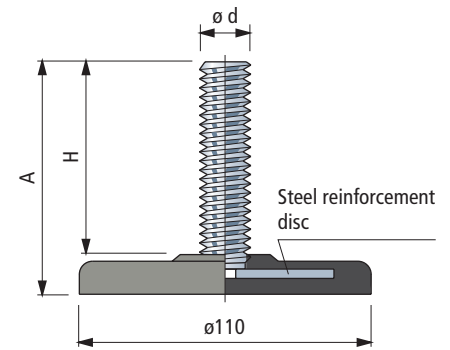
- ✔ **Best choice**
- **Standard**
- **On request**

**Part. R0031**



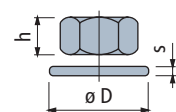
Spindle in zinc plated steel				
			Code	
M16	101	86	51500	6000

**Item code for order = Part. + Code**  
 - Footplate material : PVC rubber black ( 50 Shore ).  
 - Packaging : 20 pieces.  
 - Fmax. = maximum applicable load in static conditions.



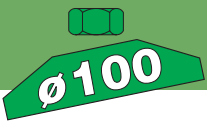
■ **Accessories**

**Nut + Washer**



	Code	h	øD	s
	Zinc plated steel	mm	mm	mm
M16	R0000630142	13	24	30

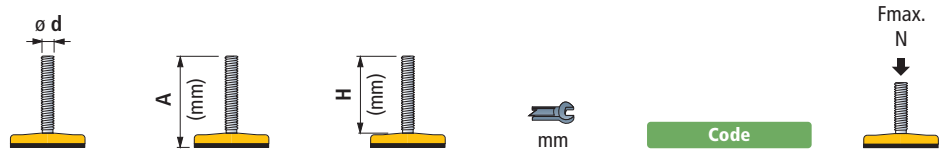
Packaging : 8 pieces.



**Fixed feet**  
in painted steel

**Part. R0403**

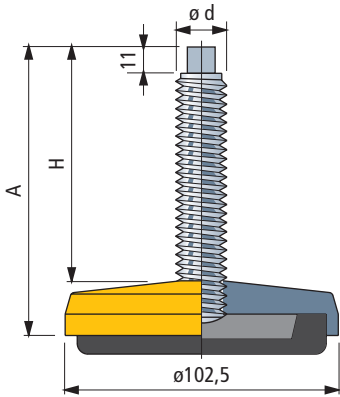
- Best choice
- ✔ Standard
- On request



Spindle in zinc plated steel					
M16	154	128	10	Code	Fmax. N
				66604	50000

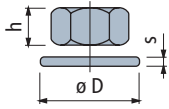
**Item code for order = Part. + Code**

- Material : footplate in painted steel yellow. Anti-slip in NBR rubber black ( 70 Shore ).
- Packaging : 8 pieces.
- On request different length.
- Fmax. = maximum applicable load in static conditions.



**Accessories**

**Nut + Washer**



Code		h	s	ø D
Zinc plated steel		mm	mm	mm
M16	R0000630142	13	24	30

Packaging : 8 pieces.

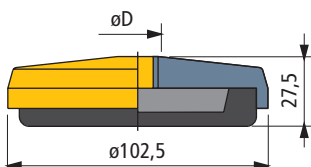
**Part. R0528**



M16	Code	Fmax. N
	644351	50000

**Item code for order = Part. + Code**

- Material : footplate in painted steel yellow. Anti-slip in NBR rubber black ( 70 Shore ).
- Packaging : 8 pieces.
- Fmax. = maximum applicable load in static conditions.



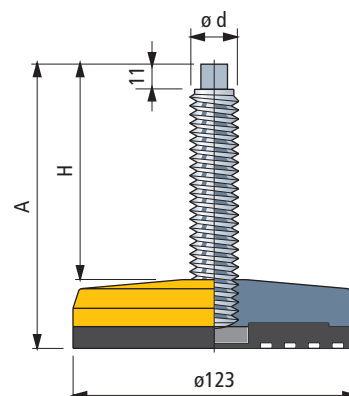
- Best choice
- ✔ Standard
- On request

**Part. R0406**

Spindle in zinc plated steel					
M16	157	127	10	66614	50000

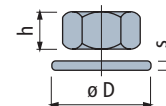
**Item code for order = Part. + Code**

- Material : footplate in painted steel yellow. Anti-slip in NBR rubber black ( 80 Shore ).
- Packaging : 8 pieces.
- On request different length.
- Fmax. = maximum applicable load in static conditions.



■ Accessories

**Nut + Washer**



Code		Zinc plated steel	h	Washer	øD	s
			mm	mm	mm	mm
M16	R0000630142		13	24	30	3

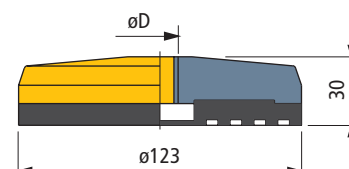
Packaging : 8 pieces.

**Part. R0529**

M16	644361	50000
-----	--------	-------

**Item code for order = Part. + Code**

- Material : footplate in painted steel yellow. Anti-slip in NBR rubber black ( 80 Shore ).
- Packaging : 8 pieces.
- Fmax. = maximum applicable load in static conditions.



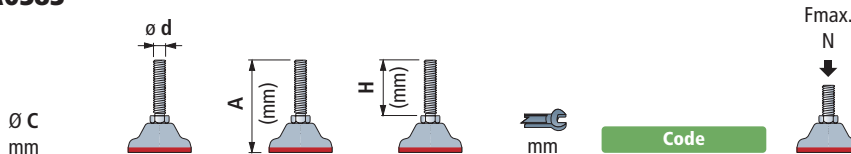
**Fixed feet**  
in stainless steel

- Best choice
- ✔ Standard
- On request

Part. **R0383**  
Part. **R0384**  
Part. **R0399**  
Part. **R0385**



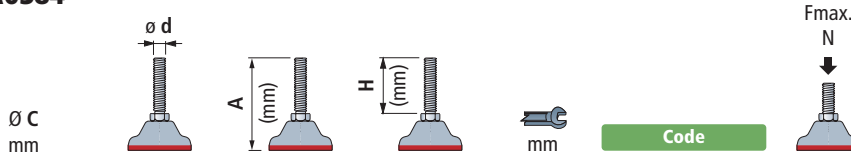
Part. **R0383**



Feet in stainless steel

	M8	57	30	13	65426	7000
--	----	----	----	----	-------	------

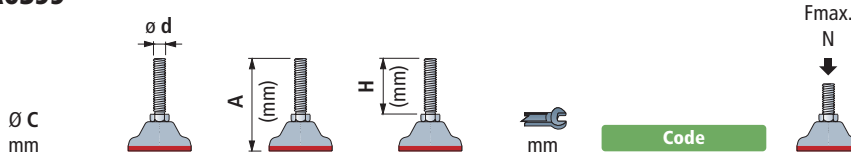
Part. **R0384**



Feet in stainless steel

	M12	90	50	19	65436	12000
--	-----	----	----	----	-------	-------

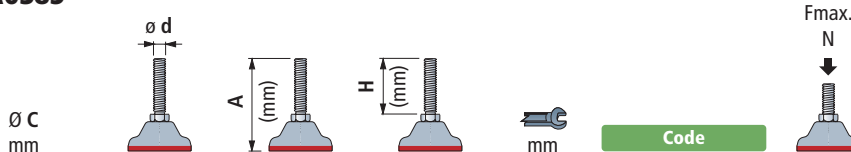
Part. **R0399**



Feet in stainless steel

	M16	100	60	24	61627	11000
--	-----	-----	----	----	-------	-------

Part. **R0385**



Feet in stainless steel

	M20	130	70	30	65446	10000
--	-----	-----	----	----	-------	-------

Item code for order = Part. + Code

- Material : footplate and spindle in stainless steel AISI 304. Anti-slip in Adiprene ( red ).
- Packaging : 16 pieces ( for Part. 383 ). 8 pieces ( for Part. 384-399 ). 4 pieces ( for Part. 385 ).
- Fmax. = maximum applicable load in static conditions.

Characteristics

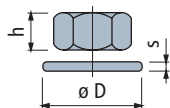
The Adiprene anti-slip element has acid resistant characteristics and resists loads occurring in heavy duty applications. Feet to be used in humid applications, where they will be subjected to frequent cleaning with detergents, in presence of chemical products and acids and where optimum cleanliness and hygiene is required.

Application

The food-, dairy and meat industry.  
Chemical and pharmaceutical industries.

■ Accessories

Nut + Washer

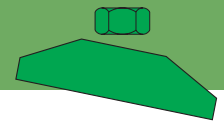


Code

	Stainless steel AISI 304	h mm	mm	$\phi D$ mm	s mm
M8	<b>R0000654922</b>	6,5	13	17	1,6
M12	<b>R0000630192</b>	10	19	24	2,5
M16	<b>R0000630212</b>	13	24	30	3
M20	<b>R0000630222</b>	16	30	37	3

Packaging : 8 pieces.

# Vibration absorbing feet in zinc plated steel



- **Best choice**
- **Standard**
- **On request**

**Part. R0701**  
**Part. R0702**  
**Part. R0703**

Code	Feet in zinc plated steel	Feet in zinc plated steel with yellow painted base	Weight Kg	Code			
				mm	mm	mm	
<b>R0701</b>				$\phi C$	$\phi d$	H (mm)	
<b>80</b>	M 12x1,25	130	39 ( min ) 51 ( max )	8	63033	63623	0,58
<b>R0702</b>				$\phi C$	$\phi d$	H (mm)	
<b>120</b>	M 16x1,5	130	47 ( min ) 60 ( max )	9	63043	63633	1,40
<b>R0703</b>				$\phi C$	$\phi d$	H (mm)	
<b>160</b>	M 20x1,5	183	54 ( min ) 69 ( max )	12	63053	63643	2,80

- Packaging : 8 pieces ( for Part. 701 - 702 ), 4 pieces ( for Part. 703 ).
- Characteristics : specially designed to absorb vibrations and shocks in both horizontal and vertical directions. Accurate height adjustment. High adhesion to the floor.
- Application : cutting-and bending machines for sheet metal. Injection molding machines for plastics. Lathes, cutting-and grinding machines. Machines for the textile and printing industry.



Table 1	Load applied per foot ( Kgf )						
	min.	max.	min.	max.	min.	max.	
Min. rotation ( rpm ) or min. strokes/min	100	85	360	230	940	275	1420
	120	85	210	230	600	275	900
	140	85	180	230	560	275	820
	160	85	120	230	350	275	560
	180	85	95	230	290	275	440
	200			230	260	275	320
	220					275	305
	Zone of resonance ( do not use vibration absorbing elements )						
	1200	475	525	1140	1260	1710	1890
	1400	400	525	1040	1260	1650	1890
1600	320	525	810	1260	1340	1890	
1800	240	525	640	1260	1080	1890	
2000	180	525	490	1260	800	1890	
2200	140	525	440	1260	700	1890	
2400	120	525	380	1260	640	1890	
2600	100	525	300	1260	560	1890	
2800			240	1260	420	1890	
3000			200	1260	400	1890	
3500					300	1890	

**When to use vibration absorbing feet**  
In case in a machine frequent "vibrations or shocks" occur, it will be necessary to use vibration absorbing feet instead of our standard feet. Because of the natural characteristics of the rubber elements, the selection of the proper type is very important. In a certain range of vibrations or shocks a resonance will occur, in another range of vibrations the feet will not absorb any vibrations at all. It is therefore important to follow exactly our selection procedure.

**Selection procedure**  
**1 ) Calculation of the load on each foot**  
In the following formula we have considered that the weight of the machine is divided equally over the feet :  
$$\frac{\text{Weight of the machine ( Kg )}}{\text{Number of feet}} = \text{Kgf}$$

**2 ) Selection of the type of vibration absorbing foot - Table 1**  
The selection of the type of a vibration absorbing foot depends on the load on each foot and the lowest number of revolutions ( or number of shocks ) of the machine.

**Examples of selection**

**1 ) Support for a lathe**  
Given data : - Weight of the lathe : 2200 Kg.  
- Minimum speed : 140 rpm.  
- Quantity of feet : 4.

Selection : the load on each foot is  
$$\frac{2200}{4} = 550 \text{ Kgf}$$

According to table 1 Part. 702 should be taken.

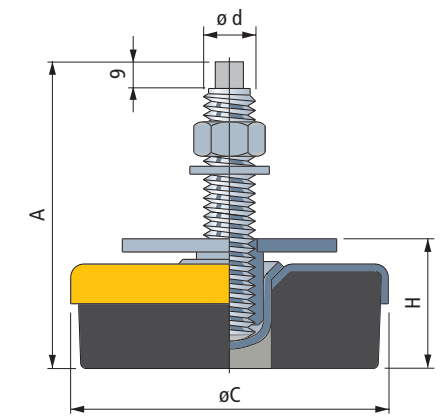
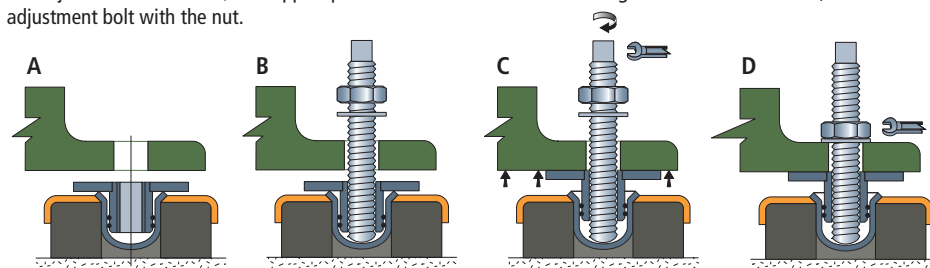
**1 ) Supports for a metal press**  
Given data : - Weight of the press : 3900 Kg.  
- Min. number of shocks : 120 strokes/min.  
- Quantity of feet : 6.

Selection : the load on each foot is  
$$\frac{3900}{6} = 650 \text{ Kgf}$$

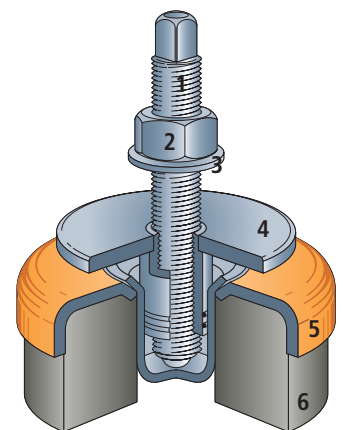
According to table 1 Part. 703 should be taken.

**Mounting instructions**

A ) Lift the machine. Position the footplate. B ) Mount the adjustment bolt with the nut and washer. C ) By turning the adjustment bolt further, the support plate will lift until the desired height has been reached. D ) Lock the adjustment bolt with the nut.



Components of the feet



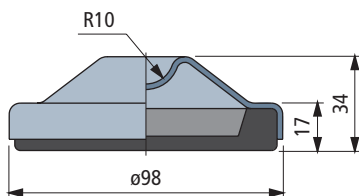
- 1 - Adjustment bolt. Fine thread
- 2 - Locking nut. UNI 5588 - 65.
- 3 - Washer UNI 6592 - 69. DIN 125 A.
- 4 - Support plate. Adjustable in height.
- 5 - Reinforcement plate.
- 6 - Anti-slip in NBR rubber black ( 80 Shore ).

# Anti-slip supports in steel



- Best choice
- ✔ Standard
- On request

## Part. R0230



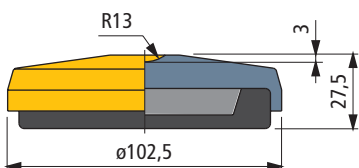
Fmax.  
N  
↓

Material	Code	
Stainless steel AISI 304	62611	10000
Nickel plated steel	62621	8000

### Item code for order = Part. + Code

- Material : Anti-slip in NBR rubber black ( 70 Shore ).
- Packaging : 8 pieces.
- Fmax. = maximum applicable load in static conditions.

## Part. R0404



Fmax.  
N  
↓

Material	Code	
Painted steel ( yellow )	66624	50000

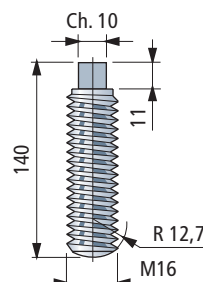
### Item code for order = Part. + Code

- Material : footplate in painted steel yellow. Anti-slip in NBR rubber black ( 70 Shore ).
- Packaging : 8 pieces.
- Fmax. = maximum applicable load in static conditions.

### Accessories

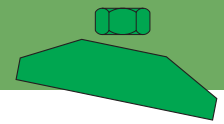
	Code	
Zinc plated steel		mm
M16	R040766594	10

Spindle.  
Packaging : 32 pieces.




# Anti-slip supports

in rubber with steel insert



- Best choice
- ✓ Standard
- On request

## Part. R0055


Material	Code	Fmax. N
 PVC rubber black ( with steel insert )	51510	6000



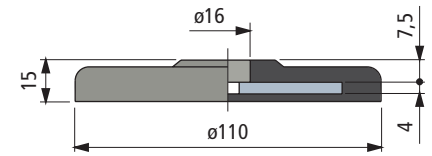
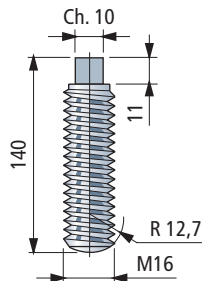
**Item code for order = Part. + Code**

- Rubber hardness : 50 Shore.
- Packaging : 25 pieces.
- Fmax. = maximum applicable load in static conditions.


**Accessories**

Code		
Zinc plated steel		mm
M16	R040766594	10

Spindle.  
Packaging : 32 pieces.



## Part. R0187

Material	Code	Fmax. N
 NBR rubber black with steel insert ( red painted )	55421	20000



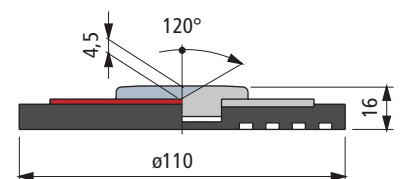
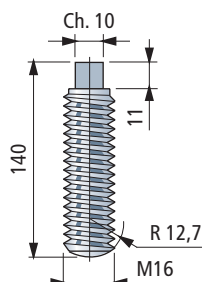
**Item code for order = Part. + Code**

- Rubber hardness : 80 Shore.
- Bearing disc in nickel plated steel.
- Packaging : 8 pieces.
- Fmax. = maximum applicable load in static conditions.




**Accessories**

Code		
Zinc plated steel		mm
M16	R040766594	10

Spindle.  
Packaging : 32 pieces.



# Threaded bushings for round tubes

-  **Best choice**
-  **Standard**
-  **On request**

Part. **R0180**

Tube dimensions

Outside dia. mm	Poll"	Thickness mm	Inside dia. mm	Thread D	D1 mm	D2 mm	H mm	L mm	M mm	Code	Fmax. N
											↓
26,9	3/4	1,5	23,9	M12	27	24	6	30	19	63128	3000
30	-	1	28	M10	30	28,4	6	34	19	61606	3000
				M12	30	28,4	6	34	19	63766	3000
33,7	1	1,5	30,7	M12	34	31	6	35	19	63118	3000
38	-	1,5	35	M10	37,5	35,5	9	44	19	68572	5000
				M16	37,5	35,5	9	44	24	63061	5000
42,4	1 1/4	1,5	39,4	M16	44,5	39,6	9	42	24	63071	5000
				M20	44,5	39,6	9	42	30	52691	8000
48,3	1 1/2	1,5	45,3	M16	48	45,5	10	52	24	63081	5000
				M20	48	45,5	10	52	30	58631	8000
		3	42,3	M16	48	42,6	10	52	24	616592	5000
50	-	1,5	47	M10	50	47,5	10,5	56	19	682812	3000
				M12	50	47,5	10,5	56	19	682822	3000
				M14	50	47,5	10,5	56	24	682832	3000
		2	46	M16	50	47,5	10,5	56	24	682842	5000
				M20	50	47,5	10,5	56	30	682852	8000
				M10	50	46,5	10,5	56	19	682862	3000
54	-	2	50	M12	50	46,5	10,5	56	19	682872	3000
				M14	50	46,5	10,5	56	24	682882	3000
				M16	50	46,5	10,5	56	24	682892	5000
		2	50	M20	50	46,5	10,5	56	30	682902	8000
				M16	54	50,8	10	62	24	647081	5000
				M20	54	50,8	10	62	30	649801	8000
60,3	2	1,5	57,3	M16	60	58	10	62	24	65154	5000
				M16	60	58	10	49	24	607241	5000
		2	56,3	M20	60	58	10	62	30	65164	8000
				M16	60	57	10	62	24	65174	5000
				M20	60	57	10	62	30	65184	8000
				M16	60	56	10	62	24	65194	5000
80	-	2,5	55,3	M20	60	56	10	62	30	65204	8000
				M14	80	76,5	10,5	90	24	682912	5000
		2	76	M16	80	76,5	10,5	90	24	682922	5000
				M20	80	76,5	10,5	90	30	682932	8000
				M24	80	76,5	10,5	90	28	682942	8000
				M14	80	74,5	10,5	90	24	682952	5000
3	74	M16	80	74,5	10,5	90	24	682962	5000		
		M20	80	74,5	10,5	90	30	682972	8000		
				M24	80	74,5	10,5	90	28	682982	8000

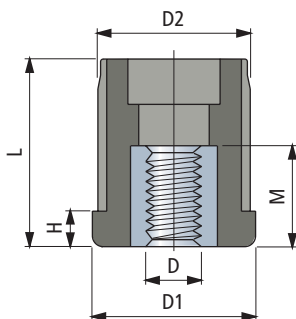
- Material : bushing in reinforced polyamid PA FV ( black ). Threaded insert in nickel plated brass.
- Packaging : 50 pieces ( codes 63128 - 63118 : 60 pieces ). Version dia. 80 mm : 25 pieces.
- Fmax. = maximum applicable load in static conditions.

Tube dimensions B.S.I.

Outside dia. Inch	mm	Thickness Inch	mm	Inside dia. mm	Thread D	D1 mm	D2 mm	H mm	L mm	M mm	Code	Fmax. N
												↓
1,5"	38,1	0,065"	1,65	34,8	3/8"-16	37,5	35,5	9	44	19	672211	5000
					1/2"-13	37,5	35,5	9	44	19	59191	5000
					5/8"-11	37,5	35,5	9	44	24	59211	5000
2"	50,8	0,065"	1,65	47,5	3/8"-16	50	48,4	10	56	19	672221	5000
					1/2"-13	50	48,4	10	56	19	61681	5000
					5/8"-11	50	48,4	10	56	24	59221	5000
					3/4"-10	50	48,4	10	56	30	59201	8000
					M16	50	48,4	10	56	24	668191	5000

Item code for order = Part. + Code

- Material : bushing in reinforced polyamid PA FV ( black ). Threaded insert in nickel plated brass.
- Packaging : 50 pieces.
- Fmax. = maximum applicable load in static conditions.



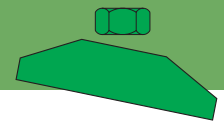
Assembly

Pressure fitted.  
Interference fit.





# Threaded bushings for square tubes

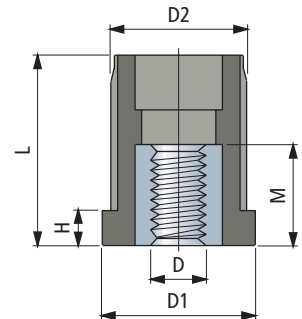


- Best choice**
- Standard**
- On request**

Part. **R0224**

Metric tube dimensions

Outside mm	Thickness mm	Inside mm	Thread D	D1 mm	D2 mm	H mm	L mm	M mm	Code	Fmax. N ↓
∅ 30	1,5	27	M10	30	27,5	6	33	19	68182	5000
			M12	30	27,5	6	33	19	63932	5000
			M14	30	27,5	6	33	24	63942	5000
	2	26	M16	30	27,5	6	33	24	63952	5000
			M10	30	26,5	6	33	19	673492	5000
			M12	30	26,5	6	33	19	673502	5000
	2,5	25	M14	30	26,5	6	33	24	673512	5000
			M16	30	26,5	6	33	24	673522	5000
			M12	30	25,5	6	33	19	69695	5000
∅ 35	1,5	32	M10	35	32,5	8	43	19	63243	5000
			M12	35	32,5	8	43	19	63253	5000
			M14	35	32,5	8	43	24	63263	5000
			M16	35	32,5	8	43	24	63273	5000
			M20	35	32,5	8	43	30	64663	8000
∅ 40	1,5	37	M10	40	37,5	8	43	19	64323	5000
			M12	40	37,5	8	43	19	63882	5000
			M14	40	37,5	8	43	24	63892	5000
	2	36	M16	40	37,5	8	43	24	63902	5000
			M20	40	37,5	8	43	30	63922	8000
∅ 50	1,5	47	M16	50	47,8	10	55	24	68607	5000
			M20	50	47,5	10	55	30	68883	8000
			3/8"-16	50	47,8	10	55	19	692781	5000
			1/2"-13	50	47,8	10	55	19	692791	5000
			5/8"-11	50	47,8	10	55	24	692801	5000
	2	46	3/4"-10	50	47,8	10	55	30	692811	8000
			M16	50	47	10	55	24	617632	5000
			M20	50	47	10	55	30	617642	8000
			M14	50	45,6	10	55	24	695411	5000
			2,5	45	M16	50	45,5	10	55	24
M20	50	45,5			10	55	30	63001	8000	



**Assembly**

Pressure fitted.  
Interference fit.

- Material : bushing in reinforced polyamid PA FV ( black ). Threaded insert in nickel plated brass.
- Packaging : 50 pieces.
- Fmax. = maximum applicable load in static conditions.

Tube dimensions B.S.I.

Outside dia. Inch	Thickness Inch	Inside dia. mm	Thread D	D1 mm	D2 mm	H mm	L mm	M mm	Code	Fmax. N ↓	
∅ 1,5"	0,065"	1,65	34,8	3/8"-16	38	35,5	8	43	19	661621	5000
				1/2"-13	38	35,5	8	43	19	59231	5000
				5/8"-11	38	35,5	8	43	24	59251	5000
				M16	38	35,5	8	43	24	62963	5000
				3/8"-16	38	32,6	8	43	19	672231	5000
	0,120"	3,05	32	1/2"-13	38	32,6	8	43	19	61422	5000
				5/8"-11	38	32,6	8	43	24	61432	5000
				3/4"-10	38	32,6	10	43	30	661631	8000
				3/8"-16	50	45,6	10	55	19	672241	5000
				1/2"-13	50	45,6	10	55	19	61691	5000
∅ 2"	0,109"	2,77	45,3	5/8"-11	50	45,6	10	55	24	59261	5000
				3/4"-10	50	45,6	10	55	30	59241	8000

**Item code for order = Part. + Code**

- Material : bushing in reinforced polyamid PA FV ( black ). Threaded insert in nickel plated brass.
- Packaging : 50 pieces.
- Fmax. = maximum applicable load in static conditions.



# Threaded bushings for round tubes

Part. **S0710**

- ✔ **Best choice**
- ✔ **Standard**
- **On request**

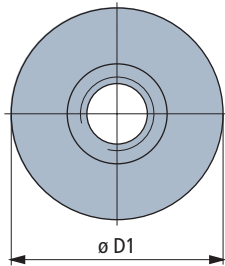
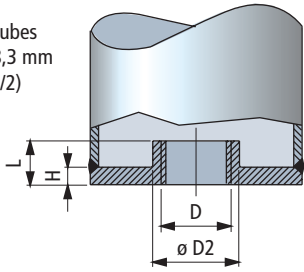


**Tube dimensions**

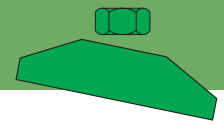
Outside dia.		Thread D	D1 mm	D2 mm	H mm	L mm	Code	Fmax. N ↓
mm	Poll"							
48,3	1" 1/2	M16	48,3	20	4	10	685682	20000
		M20	48,3	23	4	11,5	685692	

- Assembly by welding.
- Material : austenitic stainless steel.
- Packaging : 48 pieces.
- Fmax. = maximum applicable load in static conditions.

For tubes  
Ø 48,3 mm  
(1" 1/2)



# Threaded bushings for square tubes

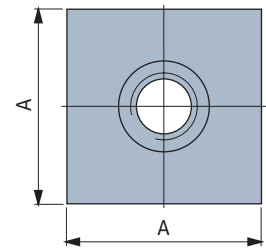
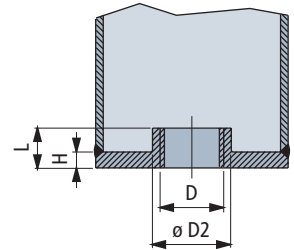


- Best choice**
- Standard**
- On request**

## Part. S0713

Metric tube dimensions

Outside mm	Thread D	A mm	D <sub>2</sub> mm	H mm	L mm	Code	Fmax. N ↓
∅ 40	M16	40	20	4	10	685702	20000
	M20	40	23	4	11,5	685712	
∅ 45	M16	45	20	4	10	685722	
	M20	45	23	4	11,5	685732	
∅ 50	M16	50	20	4	10	685742	
	M20	50	23	4	11,5	685752	
∅ 60	M16	60	20	4	10	685762	
	M20	60	23	4	11,5	685772	

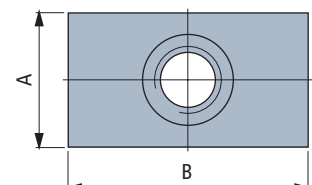
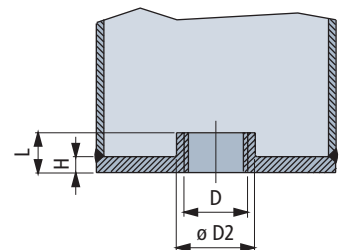


- Assembly by welding.
- Material : austenitic stainless steel.
- Packaging : 48 pieces.
- Fmax. = maximum applicable load in static conditions.

Metric tube dimensions

Outside mm	Thread D	A mm	B mm	D <sub>2</sub> mm	H mm	L mm	Code	Fmax. N ↓
40 x 80	M16	40	80	20	4	10	685782	20000
	M20	40	80	23	4	11,5	685792	

## Part. S0714



- Assembly by welding.
- Material : austenitic stainless steel.
- Packaging : 48 pieces.
- Fmax. = maximum applicable load in static conditions.

Resistance against chemical agents	POLYAMIDE PA		POLYPROPYLENE PP		POLYETHYLENE PE		ACETAL POM		AISI 303 AISI 304		AISI 316		NICKEL PLATED BRASS		NBR RUBBER		VITON RUBBER	
	Conc.%	23°C	Conc.%	23°C	Conc.%	23°C	Conc.%	23°C	Conc.%	23°C	Conc.%	23°C	Conc.%	23°C	Conc.%	23°C	Conc.%	23°C
ACETIC ACID	10	-	40	+	10	+	5	-	20	+	50	+	/	-	20	-		
ACETONE	100	+		+		+		/	50	+	25	+	+	-		-		
ALUMINIUM CHLORIDE	10	+							-	/			+		Sat.	+		
AMMONIA	10	+	30	+		+	Sol.	+	50	+	100	+	-	/		/		
AMMONIA CONC.		+		+		+		-						-				
AMMONIUM CHLORIDE	10	+							10	/	/			+	Sat.	+		
AMYL ALCOHOL	100	+		+					+		+					+		
ANILINE	/		100	+	3	+	3	+	3	+				-				
BEER		+		+		+		+		+			+	+		+		
BENZENE		+		+	/			+	70	/				-				
BENZOIC ACID	Sat.	/	Sat.	+					100	/	100	+		+		+		
BENZOL	100	+		/		/		+		+		+	+	-		/		
BORIC ACID	10	+	Sat.	+	Sat.	+		+	100	/	Sat.	+		+		Sat.	+	
BRINE		/	Sat.	+		+		/						+				
BUTTER		+		+		+		+		+			+	+		+		
BUTYL ALCOHOL	100	+		+					+		+			/		+		
BUTYRIC ACID		-	100	+		+		-	5	+				-				
CALCIUM CHLORIDE	10	+	50	+	Sat.	+		/	10	-	/		+	+	Sat.	+		
CARBON SULPHIDE	100	+		+		+		+		+		+		-		+		
CARBON TETRACHLORIDE		+		-		/		+	10	-		+	+	-		+		
CAUSTIC SODA	10	+	52	+	25	+	25	-		+				/		45	+	
CHEESE		-		+		+		+						+				
CHLORINATED WATER		+		-		-		-		-				-				
CHLOROFORM	100	-		/		-		-	100	+		+	+	-		+		
CHOCOLATE		-				+		+						+				
CITRIC ACID	10	/	10	+		+		/	5	+	25	+	-	+	Sat.	+		
CUPRIC SULPHATE	10	+	Sat.	+		+		+	5	+	100	+		+	Sat.	+		
DISTILLED WATER		+		+		+		+		+				+				
ETHYL ACETATE	100	+		+					100	/				-		-		
ETHYL ALCOHOL	96	+	96	+		+		+	10	+		+	+	/		+		
ETHYL CHLORIDE	100	+		-		/		+		+	/	/		-				
ETHYL ETHER	100	+		+		+		+						-		-		
FERRIC CHLORIDE	10	+		+					20	-	/			+	Sat.	+		
FOOD FATS		+		+		+		+		+				+		+		
FOOD OILS		+		+		+		+		+				+		+		
FORMALDEHYDE	30	+	40	+		/		+	100	+			+	-		40	+	
FORMIC ACID	10	-	100	+	10	+	10	-	5	/			+	-				
FREON 12		+							+					+		/		
FRESH WATER		+		+		+		+		+			+	+				
FRUIT JUICES		+		+		+		+		+				+				
GASOLINE		+		/		/		+		+		+	/	/		+		
GLYCERINE		+		+		+		+		+		+	+	+		+		
HYDROCHLORIC ACID	10	-	30	+	37	+	37	-		-	1	+	/	10	/	37	+	
HYDROCHLORIC ACID	2	-	2	+	2	+	2	/						2	/			
HYDROFLUORIC ACID	40	-	40	+	70	+		-		-				65	-	48	+	
HYDROGEN PEROXIDE	3	-	30	+		+		-	30	+		+	/	80	-	90	+	
IODINE		-		+		+		+						/				
LACTIC ACID	10	+	20	+		+		+	5	+	10	+	-	+		+		
LINSEED OIL		+		+					100	+		+		+		+		
MAGNESIUM CHLORIDE	10	+	Sat.	+					5	+	/			+	Sat.	+		
MERCURY		+	100	+		+		+	100	/		+	/	+		+		
METHYL ALCOHOL	100	+		+		+		+	100	/		+	+	/		/		
METHYLENE CHLORIDE	100	+		/		/		-	/	/	/			-		/		
MILK		+		+		+		+		+			+	+		+		
MINERAL OILS		+		+		+		+		+		+		+		+		
MUSTARD		-		+		+		+						+				
NITRIC ACID	10	-		+	5	/	5	-	10	+	65	+		10	-	70	+	
OLEIC ACID	100	+		+		/		-	100	/			+	/		/		
PARAFFIN		+	100	/		+		+		+				+				
PETROLEUM		+	100	/		-		+		+			+	+		+		
PETROLEUM ETHER		+		+		+		+		+			+	-				

Resistance against chemical agents	POLYAMIDE PA		POLYPROPYLE PP		POLYETHYLENE PE		ACETAL POM		AISI 303 AISI 304		AISI 316		NICKEL PLATED BRASS		NBR RUBBER		VITON RUBBER		
	Conc.% 23°C		Conc.% 23°C		Conc.% 23°C		Conc.% 23°C		Conc.% 23°C		Conc.% 23°C		Conc.% 23°C		Conc.% 23°C		Conc.% 23°C		
PHENOL	-		+						10	+		+				-		+	
PHOSFORIC ACID	10	-	85	+	95	+	10	-	10	-	50	/		-	20	/	85	+	
POTASSIUM HYDROXIDE	10	+							50	+	50	+				/		+	
SEA WATER		+		+		+		/		+		+		+		+		+	
SILICONE OIL		+		+												+		+	
SILVER NITRATE		+	20	+					60	/						/		+	
SOAP AND WATER		+		+		+		+		+						+			
SODIUM CARBONATE	10	+	Sat.	+		+		+	5	+	100	+				+		+	
SODIUM CHLORIDE	10	+	Sat.	+		+		+	5	+	/			+			Sat.	+	
SODIUM HYDROXIDE	10	+	30	+		+		10	+		-			+		/			
SODIUM HYPOCHLORITE		+	20	+		+		-		-						-		5	+
SODIUM SILICATE		+							100	+	100	+					+		
SODIUM SULPHATE	10	+	Sat.	+		+		+	5	+	100	+					+		+
SOFT DRINKS		+		+		+		+		+				+		+			
SUDS		+		+												+			+
SULPHURIC ACID	10	-	98	+	40	/	40	-	10	-	100	+		+		-		95	+
TARTARIC ACID		+	10	+		+		30	/	10	+	50	+		-		+		+
TETRALINE		+		-												-			+
TINCTURE OF IODINE		-		+		+		+						-		/			+
TRANSFORMER OIL		+		/												+			+
TRICHLOROETHYLENE		/		/		+		-		+				+		-			+
TURPENTINE		/		-		-		-		+						-			
VASELINE		+		+		/		+								+			+
VEGETABLE JUICES		+		+		+		+		+						+			
VEGETABLE OILS		+		+		+		+		+						+			
VINEGAR		+		+		+		+		+				+		/			-
WHISKY		+		+		+		+		+				+		+			+
WINE		+		+		+		+		+				+		+			+
XILOL		+		-		/		+		+				/		-			+
ZINC CHLORIDE	10	/	20	+					10	-	/					+		Sat.	+

Abbreviations: Sat. = saturated.

### Legend..

- + = Good resistance.
- / = Fairly good resistance (limited use depending on working conditions).
- = Poor resistance (not recommended).
- N.B. Where tests have not been carried out the spaces are left blank.

### The data shown in this table..

are taken from laboratory tests, performed on unstrained test samples. It should be considered as purely indicative since material behaviour under real working conditions depends on different factors: temperature, concentration of the chemical agent, quick or long-lasting effect of the chemical agent.

### Operating temperatures

### Operating temperatures (°C)

Material	Description	contact with air		contact with hot water
		Min	Max	Max
PA	Polyamid	0	+ 80	+ 65
PA FV	Reinforced polyamid	- 5	+ 120	+ 100
PP	Polypropylene	+ 5	+ 105	+ 105
PP FV	Reinforced polypropylene	+ 5	+ 115	+ 115
PE (UHMWPE)	Polyethylene	- 40	+ 80	+ 70
POM	Acetal	- 40	+ 80	+ 65
Rex-LF®	Acetal	- 40	+ 80	+ 65
AISI 303 - AISI 304	Austenitic stainless steel (18/8)	- 70	+ 430	+ 120
Fe Zn	Zinc plated steel	- 40	+ 180	-
OT	Nickel plated brass	- 40	+ 180	+ 120

	Page
Part. R0031	R53
Part. R0055	R59
Part. R0094	R16 - R17
Part. R0098	R14 - R15
Part. R0133	R20 - R21
Part. R0134	R26
Part. R0169	R25
Part. R0173	R12 - R13
Part. R0180	R60
Part. R0187	R59
Part. R0224	R61
Part. R0230	R58
Part. R0269	R8 - R9
Part. R0297	R27
Part. R0323	R18 - R19
Part. R0349	R42
Part. R0351	R40
Part. R0383	R56
Part. R0384	R56
Part. R0385	R56
Part. R0399	R56
Part. R0403	R54
Part. R0404	R58
Part. R0406	R55
Part. R0407	R58 - R59
Part. R0408	R43
Part. R0441	R41
Part. R0479	R22 - R23
Part. R0528	R54
Part. R0529	R55
Part. R0552	R10 - R11
Part. R0600	R52
Part. R0622	R32 - R33
Part. R0623	R34 - R35
Part. R0626	R28 - R29
Part. R0627	R30 - R31
Part. R0628	R36 - R37
Part. R0629	R38 - R39
Part. R0701	R57
Part. R0702	R57
Part. R0703	R57
Part. S0710	R62
Part. S0713	R63
Part. S0714	R63
Part. R0726	R24 - R25 - R27
Part. R0747	R44
Part. R0747F	R45
Part. R0748	R44
Part. R0748F	R45
Part. R0749	R44 - R50
Part. R0750	R46

	Page
Part. R0750F	R47
Part. R0750S	R48
Part. R0750SF	R49
Part. R0751	R46
Part. R0751F	R47
Part. R0751S	R48
Part. R0751SF	R49
Part. R0752	R46
Part. R0752S	R48
Part. R0773	R51
Part. R0869	R24

### Main News

<b>Obsolete</b>	<b>Replacements</b>	<b>Page</b>
<b>Articulated Feet</b>		
Part. <b>R0170 - R0170R</b>	Part. <b>R0869</b>	<b>New</b> R24
Part. <b>R0171 - R0171R</b>	Part. <b>R0869</b>	<b>New</b> R24
Part. <b>R0254</b>	Part. <b>R0869</b>	<b>New</b> R24
Part. <b>R0172</b>	Part. <b>R0323</b>	R18 - R19
Part. <b>R0132 - R0132R</b>	Part. <b>R0133</b>	R20 - R21
Part. <b>R0292</b>	Part. <b>R0628</b>	R36 - R37
<b>Feet in Steel</b>		
Part. <b>R0546</b>	Part. <b>R0747</b>	R44
Part. <b>R0547</b>	Part. <b>R0748</b>	R44
Part. <b>R0548</b>	Part. <b>R0749</b>	R44
Part. <b>R0549</b>	Part. <b>R0627</b>	R30 - R31
Part. <b>R0349</b>	Part. <b>R0349</b>	<b>New Design</b> R42
Part. <b>R0351</b>	Part. <b>R0351</b>	<b>New Design</b> R40
Part. <b>R0408</b>	Part. <b>R0408</b>	<b>New Design</b> R43
Part. <b>R0441</b>	Part. <b>R0441</b>	<b>New Design</b> R41
<b>Out of production</b>		
Part. <b>R0602</b>		
Part. <b>R0675</b>		
Part. <b>R0745</b>		
Part. <b>R0753</b>		

Reproduction, even partial, of this catalogue is illegal. REXNORD MARBETT is continually investigating methods of improving products and introducing new technology, we reserve the right to modify data and features shown in the catalogue. Dimensions are indicative only, for tolerances contact us.

The loads indicated in the table represent the maximum loads that can be applied at static conditions. These values result from tests and laboratory experiments done on our materials, injection molded and conditioned (40h - 23°C - 50% U.R.).

The loads values should be adequately reduced in case of : vibrations at high frequencies, live loads, high temperatures and places with high degree of humidity. For a mutual guarantee, please address to our technical or commercial departments, in order to value the characteristics according to their employment.

**AUSTRALIA**

Rexnord Australia Pty. Ltd.  
Picton, New South Wales  
Phone: 61-2-4677-3811  
Fax: 61-2-4677-3812

**BRAZIL**

Rexnord Correntes Ltda.  
Sao Leopoldo - RS  
Phone: 55-51-579-8022  
Fax: 55-51-579-8029

**CANADA**

Rexnord Canada Ltd.  
Scarborough, Ontario  
Phone: 1-416-297-6868  
Fax: 1-416-297-6873

**CHINA**

Rexnord China  
Shanghai  
Phone: 86-21-62701942  
Fax: 86-21-62701943

**FLATTOP EUROPE**

Rexnord FlatTop Europe b.v.  
's-Gravenzande, The Netherlands  
Phone: 31-174-445-111  
Fax: 31-174-445-222

Rexnord Marbett S.r.L.  
Correggio (RE), Italy  
Phone: 39-0522-639333  
Fax: 39-0522-637778

RMCC Deutschland Kette GmbH  
Aßlar-Werdorf, Germany  
Phone: 49-6443-83140  
Fax: 49-6443-831420

Rexnord FlatTop France  
Orly Cedex  
Phone: 33-1-4173-4220  
Fax: 33-1-4173-4229

**UNITED STATES**

Customer Service  
Phone: 1-866-REXNORD  
(1-866-739-6673)  
Fax: 1-614-675-1898  
E-mail: rexnordcs(state)@rexnord.com  
Example: rexnordcs(ohio)@rexnord.com

Rexnord FlatTop North America  
Grafton, Wisconsin  
Phone: 1-262-376-4700  
Fax: 1-262-376-4720

Rexnord International - Power Transmission  
Milwaukee, Wisconsin  
Phone: 1-414-643-2366  
Fax: 1-414-643-3222  
E-mail: international2@rexnord.com

**ALL COUNTRIES NOT LISTED**

Rexnord FlatTop Europe b.v.  
's-Gravenzande, The Netherlands  
Phone: 31-174-445-111  
Fax: 31-174-445-222

**After Hours/Emergency Phone:**  
31-174-445-112



www.rexnordflattop.com  
flattopeurope@rexnord.com