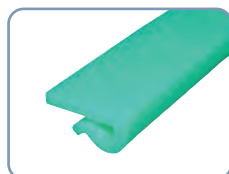


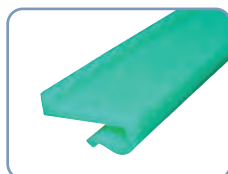
Marbett Conveyor Components

2012 North America

Product Range



Part 261 • Page 2
J-Clip Wearstrip



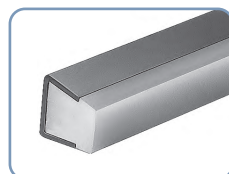
Part 825 • Page 2
J-Clip With Lip
Wearstrip



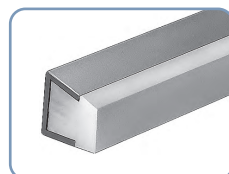
Page 3
Wearstrip J-Leg Tivar



Page 3
Wearstrip J-Channel Tivar



Part 514-158 & 514-217
Page 4
Convex Guide Rail



Part 514-146 • Page 4
Flat Rail



Part 514-145 & 514-213
Page 5
Round Guide Rail



Part 769 • Page 5
20 mm Tee Guide Rail



Part 514-210 & 514-221
Page 6
1" Flat Guide Rail



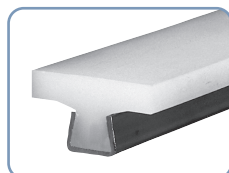
Part 514-209 & 514-220
Page 6
1" Tee Guide Rail



Part 514-147 & 514-215
Page 7
1.25" Tee Guide Rail



Part 514-148 • Page 7
Neck Guide



Part 514-175 • Page 8
1.6" Tee Guide Rail



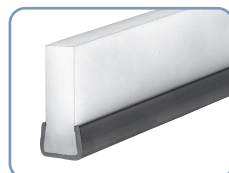
Part 514-176 • Page 8
2.25" Tee Guide Rail



Part 514-235 • Page 9
Edge Guide



Part 514-236 • Page 9
Tab Guide



Part 274 • Page 10
Roller Chain Guide
Profile



Part 217 • Page 10
Double Clamp SS



Part 903 • Page 11
ViseClamp™



Part 902 • Page 11
ViseSplice™



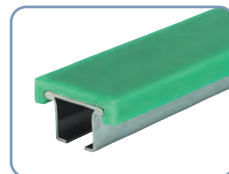
Part 210 • Page 12
Guide Rail Clamp



Part 210P • Page 12
Guide Rail Clamp
Assembly



Part 114-2308 • Page 13
Adjusting Rod



Part 367 • Page 14
Flat Guide Rail



Part 550 • Page 14
Chain Inlet Guide Shoe



Part 371 • Page 15
Guide Rail Mounting
Block



Part 621 • Page 15
Guide Rail Connecting
Block



Part 346 • Page 16
Guide Rail Half Round



Part 369 • Page 16
Rail Connecting Bar



Part 114-398 • Page 17
Upper Conveyor Bracket



Part 114-399 • Page 17
Lower Conveyor Bracket



Part 114-671 • Page 18
Lower Conveyor Bracket
Type 2



Part 114-672 • Page 18
Offset Upper Conveyor
Bracket Type B



Part 114-673 • Page 19
Lower Conveyor Bracket
Type 3



Part 114-674 • Page 19
Offset Upper Conveyor
Bracket Type A



Part 107 • Page 20
Guide Rail Bracket With
Knob

Product Range



Part 599 • Page 20
Guide Rail Bracket With Knob



Part 632 • Page 21
Guide Rail Bracket Base Part



Part 637 • Page 21
Guide Rail Bracket With Knob And Swivel Head



Part 255 • Page 22
Swivel Head



Part 256 • Page 22
Swivel



Part 192 • Page 23
Swivel Head



Part 182 • Page 24
Knob



Part 185 • Page 24
Knob



Part 763 • Page 25
T-Clamp With Eyebolt



Part 732 • Page 25
Cross Clamp With Knobs And Eyebolts, Quick Set



Part 174 • Page 26
Cross Clamp



Part 174 • Page 26
Cross Clamp With Set Screw



Part 655 • Page 27
Square Bore Cross Clamp With 3 Ratchet Handles



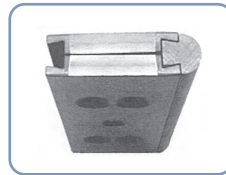
Part 518 • Page 27
Control Contact Lever



Part 302 • Page 28
Ratchet Handle



Part 303 • Page 28
Ratchet Handle



Part 905 • Page 29
Modular Nose-Over Bar (Standard Profile)



Part 905 • Page 29
Modular Nose-Over Bar (Low Profile)



Page 30
Nose Bar Replacement



Part 905 • Page 30
8503 Dynamic Nose-Over Bars



Part 905 • Page 31
Modular Nose-Over (Dynamic) — 1500



Part 905 • Page 31
8505 & 8506 Dynamic Nose-Over Bars



Part 567 • Page 32
Roller Transfer



Part 672 • Page 32
Roller Transfer



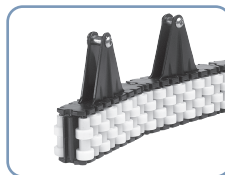
Part 569 • Page 33
Roller Transfer



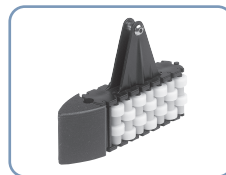
Part 568 • Page 33
Roller Transfer



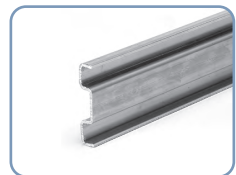
Part 580 • Page 34
Side Roller Guide



Part 557 • Page 34
Center Roller Guide



Part 570 • Page 35
Roller Guide Divider Module



Part 537 • Page 35
M Profile



Part 128 • Page 36
Roller Side Guides



Part 581 • Page 37
Roller Side Guide



Part 756 • Page 38
Pearl™ Rail Roller Side Guides — 1 Side 1 High



Part 754 • Page 39
Pearl™ Rail Roller Side Guides — 2 Side 1 High



Part 756 • Page 40
Pearl™ Rail Roller Side Guides — 1 Side 2 High



Part 754 • Page 41
Pearl™ Rail Roller Side Guides — 2 Side 2 High

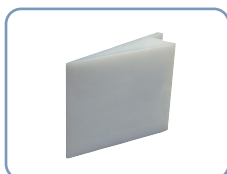
Product Range



Part 760 • Page 42
Pearl™ Rail Roller Side Guides
1 Side 1 High Separation Block



Part 759 • Page 42
Pearl™ Rail Roller Side Guides
2 Side 1 High Separation Block



Part 760 • Page 43
Pearl™ Rail Roller Side Guides
1 Side 2 High Separation Block



Part 759 • Page 43
Pearl™ Rail Roller Side Guides
2 Side 2 High Separation Block



Page 44
Pearl™ Rail Roller Side Guides
Loose Roller Modules



Part 612 • Page 45
Split Shaft Collar With
Round Bore



Part 612 • Page 45
Split Shaft Collar With
Square Bore



Part 614 • Page 46
Bi-Material Return Rollers
With Flange (2.36" dia)



Part 613 • Page 46
Bi-Material Return Rollers
(2.36" dia)



Part 657 • Page 47
Bi-Material Return Double
Roller (2.36" dia)



Part 758 • Page 47
Double Return Roller



Part 624 • Page 48
Return Roller Separator



Part 555 • Page 48
Guide Flange



Part 906 • Page 49
Bi-Material Return Roller
(2.9" dia)



Part 906 • Page 49
Bi-Material Return Roller
With Flange (2.9" dia)



Part 198 • Page 50
Bearing Head



Part 199 • Page 50
Side Mounting Top
Bracket



Part 168 • Page 51
Side Mounting Top
Bracket



Part 563 • Page 51
Connecting Joint



Part 615 • Page 52
Support Base (Tripod)



Part 618 • Page 52
Support Base (Bipod)



Part 180 • Page 53
Threaded Tube Ends
For Round Tubes



Part 224 • Page 53
Threaded Tube Ends
For Square Tubes



Part 98 • Page 54
Leveler



Part 94 • Page 54
Teardrop Leveler



Part 323 • Page 55
Leveler



Part 133 • Page 55
Leveler



Part 479 • Page 56
Leveler



Part 169 • Page 56
Leveler



Part 337 • Page 57
Hinge



Part 272 • Page 57
Lock



Introduction

When it comes to providing highly engineered products that improve productivity and efficiency for product handling applications worldwide, Rexnord is the most reliable in the industry. Our commitment to customer satisfaction and superior value extends to every area of our business.

Rexnord offers a complete portfolio of MatTop® and TableTop® conveyor chains and Marbett® conveyor components. These leading edge solutions are designed to continuously improve productivity for customers in a variety of industries including automotive, food, beverage, warehouse/distribution and container handling. Rexnord FlatTop® chain performance is maximized when used with low-friction, low-wear Marbett chain guide return solutions.



Marbett Chain Guides and Return Solutions Increase Uptime

- Low-wear for extended chain and wearstrip life
- Low-friction for low chain pull and energy savings
- High-speed capability for increased productivity and optimized performance
- Bi-material return rollers for reduced noise and high-speed capabilities
- Lowest total cost of ownership through reduced downtime, maintenance and replacement costs

Marbett Product Guides Reduce Damage to Products

- Low-friction roller side guides increase efficiency by preventing costly container damage and discards due to product tippage
- Specific profile design to ensure product stability and throughput
- Ideal for container, package and beverage handling applications



Marbett Conveyor Construction Components Save Time

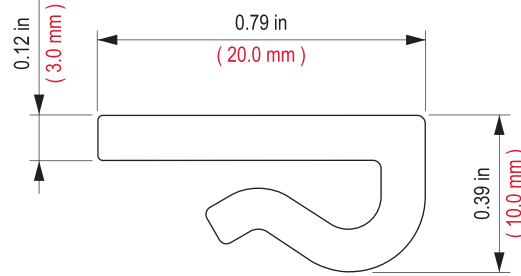
- Modular design eliminates need for welding, minimizes assembly time and reduces conveyor construction costs
- Strong and rigid design with declared mechanical values
- High-performance materials designed to meet the most demanding and unique applications
- Easy-to-clean design meets sanitation requirements
- High corrosion and chemical resistance

Our team of experienced application engineers are available to help you select the ideal product for your applications. Contact us today at 262-376-4800.

Part 261



J-Clip Wearstrip



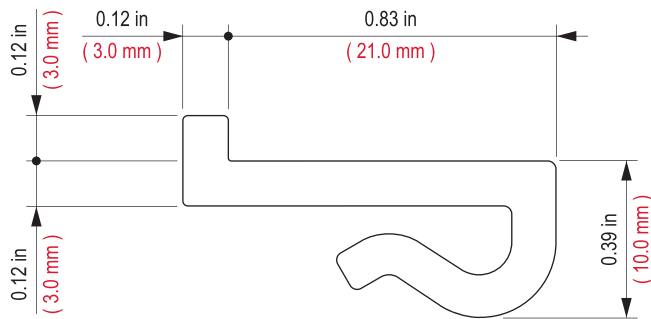
- Standard packaging: coil
- Material: polyethylene UHMWPE (green) with molecular density 5,600,000 g/mol
- Linear expansion coefficient: $1.1 \times 10^{-4} \text{ } ^\circ\text{F}^{-1}$ ($2 \times 10^{-4} \text{ } ^\circ\text{C}^{-1}$)
- See engineering manual for calculation of thermal expansion.
- Operating temperature:
 In air - 40 to + 176 °F (- 40 to + 80 °C)
 In hot water + 158° F (+ 70 °C)

Color	Packaging		Part Number	Approximate Weight	
	ft	m		lb	kg
Green	131	40.0	261-65681	13.0	5.85

Part 825



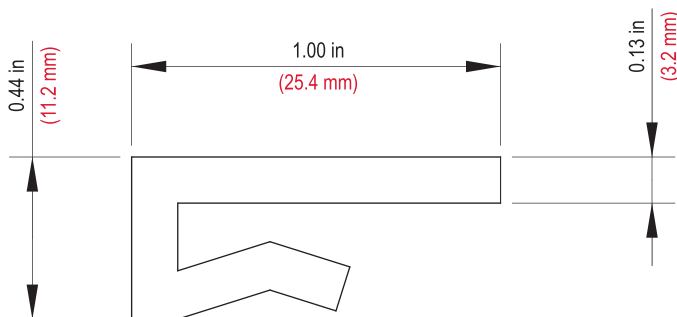
J-Clip With Lip Wearstrip



- Standard packaging: coil
- Material: polyethylene UHMWPE (green) with molecular density 5,600,000 g/mol
- Linear expansion coefficient: $1.1 \times 10^{-4} \text{ } ^\circ\text{F}^{-1}$ ($2 \times 10^{-4} \text{ } ^\circ\text{C}^{-1}$)
- See engineering manual for calculation of thermal expansion.
- Operating temperature:
 In air - 40 to + 176 °F (- 40 to + 80 °C)
 In hot water + 158° F (+ 70 °C)

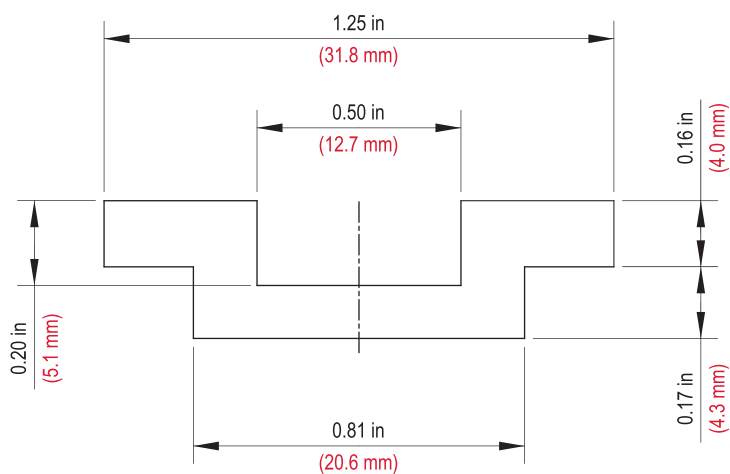
Color	Packaging		Part Number	Approximate Weight	
	ft	m		lb	kg
Green	131	40.0	825-632033	15.6	7.02

■ Wearstrip J-Leg Tivar



Material	Stock Length		Part Number	Approximate Weight	
	ft	m		lb	kg
Tivar	12	3.7	0-655861	1.09	0.49

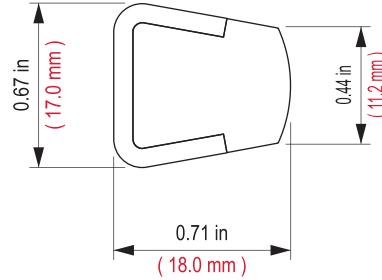
■ Wearstrip J-Channel Tivar



Material	Stock Length		Part Number	Approximate Weight	
	ft	m		lb	kg
Tivar	12	3.7	0-655821	1.14	0.51

Part 514-158 & 514-217

Convex Guide Rail

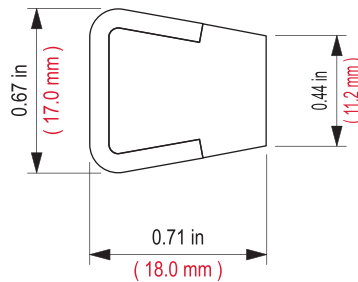


- Material: polyethylene UHMWPE with molecular density 5,600,000 g/mol
- 14-gauge stainless steel sheath
- Minimum bend radius: 5.71 in (145 mm)
- Linear expansion coefficient: $2.2 \times 10^{-5} \text{ } ^\circ\text{F}^{-1}$ ($4 \times 10^{-5} \text{ } ^\circ\text{C}^{-1}$)
- See engineering manual for calculation of thermal expansion.

Metal Profile Material	Stock Length		Part Number	Approximate Weight	
	ft	m		lb	kg
Plastic Profile in Polyethylene UHMWPE (White)					
Austenitic Stainless Steel	10	3.1	514-158-1	3.60	1.62
Plastic Profile in Antistatic Polyethylene UHMWPE (Black)					
Austenitic Stainless Steel	10	3.1	514-217-1	3.70	1.67

Part 514-146

Flat Rail

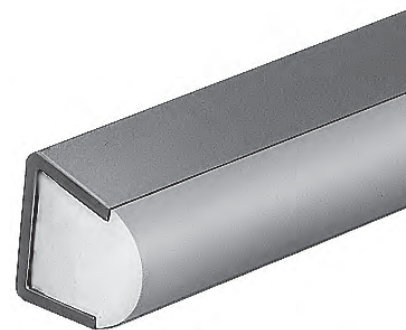
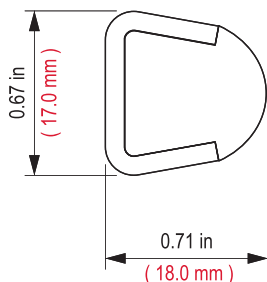


- Material: polyethylene UHMWPE (white) with molecular density 5,600,000 g/mol
- 14-gauge stainless steel sheath
- Minimum bend radius: 5.71 in (145 mm)
- Linear expansion coefficient: $2.2 \times 10^{-5} \text{ } ^\circ\text{F}^{-1}$ ($4 \times 10^{-5} \text{ } ^\circ\text{C}^{-1}$)
- See engineering manual for calculation of thermal expansion.

Metal Profile Material	Stock Length		Part Number	Approximate Weight	
	ft	m		lb	kg
Austenitic Stainless Steel	10	3.1	514-146-1	3.60	1.62

■ Round Guide Rail

Part 514-145 & 514-213

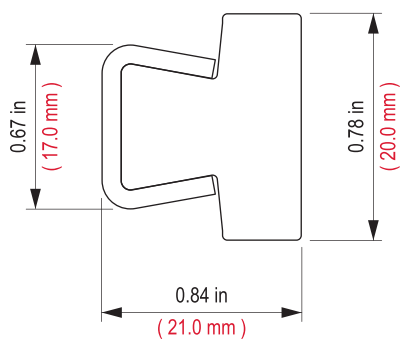


Metal Profile Material	Stock Length		Part Number	Approximate Weight	
	ft	m		lb	kg
Plastic Profile in Polyethylene UHMWPE (White)					
Austenitic Stainless Steel	10	3.1	514-145-1	3.70	1.67
Plastic Profile in Antistatic Polyethylene UHMWPE (Black)					
Austenitic Stainless Steel	10	3.1	514-213-1	3.80	1.71

- Material: polyethylene UHMWPE with molecular density 5,600,000 g/mol
- 14-gauge stainless steel sheath
- Minimum bend radius: 5.71 in (145 mm)
- Linear expansion coefficient: $2.2 \times 10^{-5} \text{ }^\circ\text{F}^{-1}$ ($4 \times 10^{-5} \text{ }^\circ\text{C}^{-1}$)
- See engineering manual for calculation of thermal expansion.

■ 20 mm Tee Guide Rail

Part 769

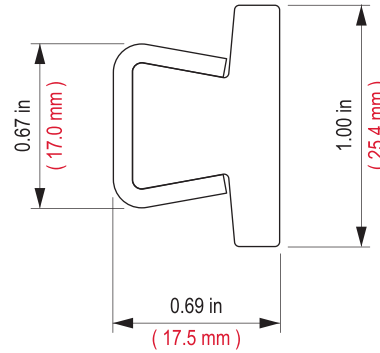


Metal Profile Material	Stock Length		Part Number	Approximate Weight	
	ft	m		lb	kg
Austenitic Stainless Steel	10	3.1	769-609163N	5.20	2.34

- Material: polyethylene UHMWPE (white) with molecular density 5,600,000 g/mol
- 14-gauge stainless steel sheath
- Minimum bend radius: 6.30 in (160 mm)
- Linear expansion coefficient: $2.2 \times 10^{-5} \text{ }^\circ\text{F}^{-1}$ ($4 \times 10^{-5} \text{ }^\circ\text{C}^{-1}$)
- See engineering manual for calculation of thermal expansion.

Part 514-210 & 514-221

1" Flat Guide Rail

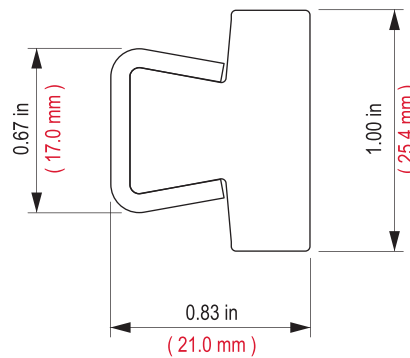


- Material: polyethylene UHMWPE with molecular density 5,600,000 g/mol
- 14-gauge stainless steel sheath
- Minimum bend radius: 6.00 in (160 mm)
- Linear expansion coefficient: $2.2 \times 10^{-5} \text{ } ^\circ\text{F}^{-1}$ ($4 \times 10^{-5} \text{ } ^\circ\text{C}^{-1}$)
- See engineering manual for calculation of thermal expansion.

Metal Profile Material	Stock Length		Part Number	Approximate Weight	
	ft	m		lb	kg
Plastic Profile in Polyethylene UHMWPE (White)					
Austenitic Stainless Steel	10	3.1	514-210-1	5.00	2.25
Plastic Profile in Antistatic Polyethylene UHMWPE (Black)					
Austenitic Stainless Steel	10	3.1	514-221-1	5.10	2.30

Part 514-209 & 514-220

1" Tee Guide Rail

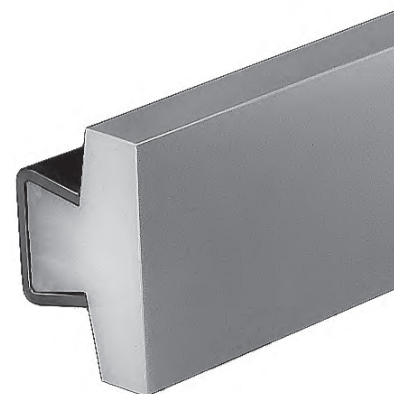
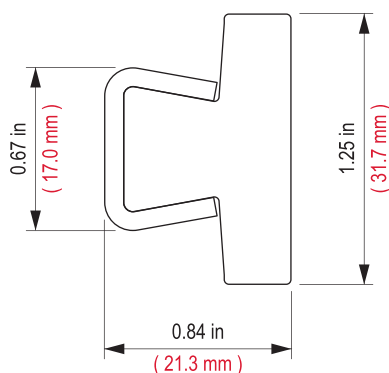


- Material: polyethylene UHMWPE with molecular density 5,600,000 g/mol
- 14-gauge stainless steel sheath
- Minimum bend radius: 6.30 in (160 mm)
- Linear expansion coefficient: $2.2 \times 10^{-5} \text{ } ^\circ\text{F}^{-1}$ ($4 \times 10^{-5} \text{ } ^\circ\text{C}^{-1}$)
- See engineering manual for calculation of thermal expansion.

Metal Profile Material	Stock Length		Part Number	Approximate Weight	
	ft	m		lb	kg
Plastic Profile in Polyethylene UHMWPE (White)					
Austenitic Stainless Steel	10	3.1	514-209-1	5.50	2.48
Plastic Profile in Antistatic Polyethylene UHMWPE (Black)					
Austenitic Stainless Steel	10	3.1	514-220-1	5.60	2.52

■ 1.25" Tee Guide Rail

Part 514-147 & 514-215

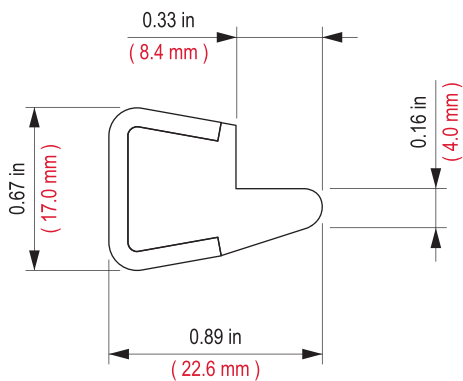


Metal Profile Material	Stock Length		Part Number	Approximate Weight	
	ft	m		lb	kg
Plastic Profile in Polyethylene UHMWPE (White)					
Austenitic Stainless Steel	10	3.1	514-147-1	5.10	2.30
Plastic Profile in Antistatic Polyethylene UHMWPE (Black)					
Austenitic Stainless Steel	10	3.1	514-215-1	5.20	2.34

- Material: polyethylene UHMWPE with molecular density 5,600,000 g/mol
- 14-gauge stainless steel sheath
- Minimum bend radius: 6.30 in (160 mm)
- Linear expansion coefficient: $2.2 \times 10^{-5} \text{ }^\circ\text{F}^{-1}$ ($4 \times 10^{-5} \text{ }^\circ\text{C}^{-1}$)
- See engineering manual for calculation of thermal expansion.

■ Neck Guide

Part 514-148

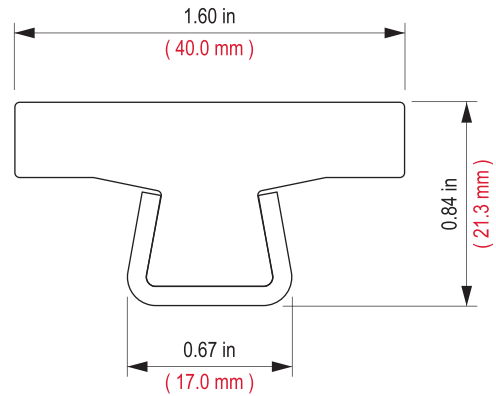


Metal Profile Material	Stock Length		Part Number	Approximate Weight	
	ft	m		lb	kg
Austenitic Stainless Steel	10	3.1	514-148-1	4.30	1.94

- Material: polyethylene UHMWPE (white) with molecular density 5,600,000 g/mol
- 14-gauge stainless steel sheath
- Minimum bend radius: 6.30 in (160 mm)
- Linear expansion coefficient: $2.2 \times 10^{-5} \text{ }^\circ\text{F}^{-1}$ ($4 \times 10^{-5} \text{ }^\circ\text{C}^{-1}$)
- See engineering manual for calculation of thermal expansion.

Part 514-175

1.6" Tee Guide Rail

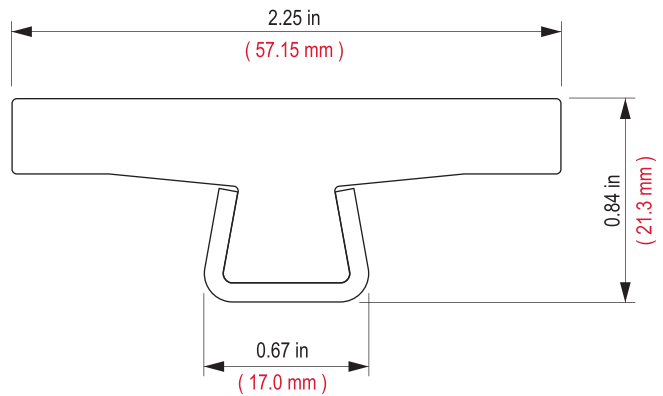


- Material: polyethylene UHMWPE (white) with molecular density 5,600,000 g/mol
- 14-gauge stainless steel sheath
- Minimum bend radius: 6.00 in (160 mm)
- Linear expansion coefficient: $2.2 \times 10^{-5} \text{ } ^\circ\text{F}^{-1}$ ($4 \times 10^{-5} \text{ } ^\circ\text{C}^{-1}$)
- See engineering manual for calculation of thermal expansion.

Metal Profile Material	Stock Length		Part Number	Approximate Weight	
	ft	m		lb	kg
Austenitic Stainless Steel	10	3.1	514-175-1	6.00	2.70

Part 514-176

2.25" Tee Guide Rail

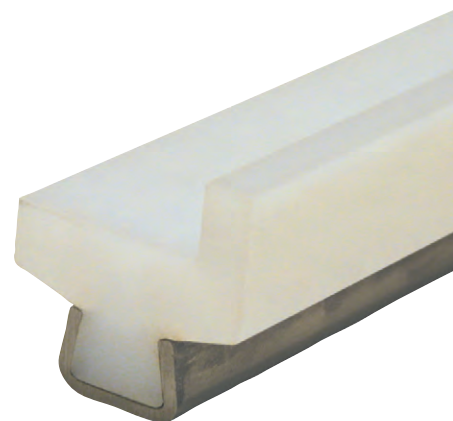
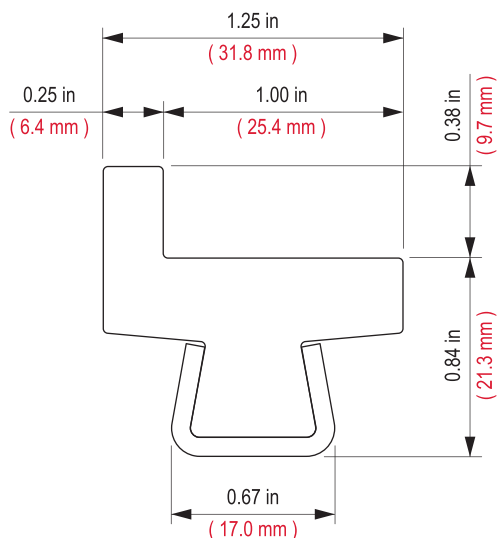


- Material: polyethylene UHMWPE (white) with molecular density 5,600,000 g/mol
- 14-gauge stainless steel sheath
- Minimum bend radius: 7.87 in (200 mm)
- Linear expansion coefficient: $2.2 \times 10^{-5} \text{ } ^\circ\text{F}^{-1}$ ($4 \times 10^{-5} \text{ } ^\circ\text{C}^{-1}$)
- See engineering manual for calculation of thermal expansion.

Metal Profile Material	Stock Length		Part Number	Approximate Weight	
	ft	m		lb	kg
Austenitic Stainless Steel	10	3.1	514-176-1	7.10	3.30

■ Edge Guide

Part 514-235

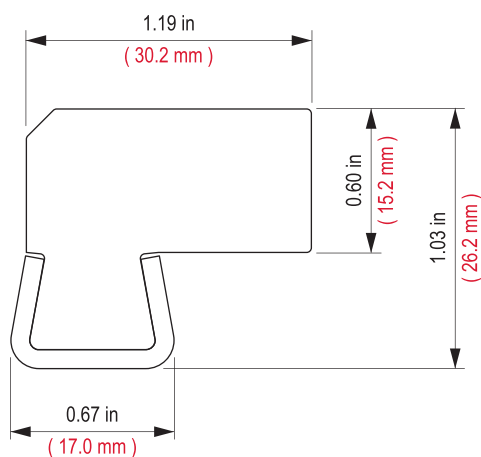


Metal Profile Material	Stock Length		Part Number	Approximate Weight	
	ft	m		lb	kg
Austenitic Stainless Steel	10	3.1	514-235-1	6.20	2.79

- Material: polyethylene UHMWPE (white) with molecular density 5,600,000 g/mol
- 14-gauge stainless steel sheath
- Linear expansion coefficient: $2.2 \times 10^{-5} \text{ }^\circ\text{F}^{-1}$ ($4 \times 10^{-5} \text{ }^\circ\text{C}^{-1}$)
- See engineering manual for calculation of thermal expansion.

■ Tab Guide

Part 514-236

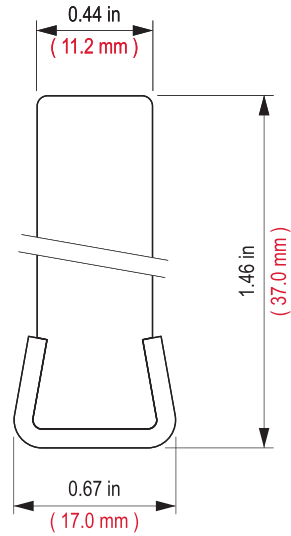
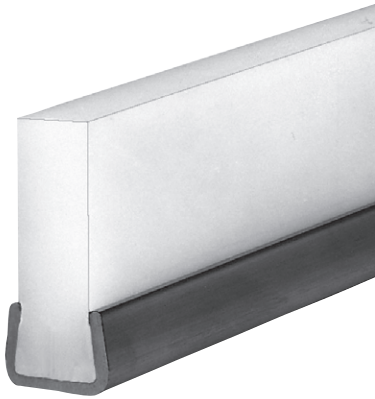


Metal Profile Material	Stock Length		Part Number	Approximate Weight	
	ft	m		lb	kg
Austenitic Stainless Steel	10	3.1	514-236-1	6.90	3.11

- Material: polyethylene UHMWPE (white) with molecular density 5,600,000 g/mol
- 14-gauge stainless steel sheath
- Linear expansion coefficient: $2.2 \times 10^{-5} \text{ }^\circ\text{F}^{-1}$ ($4 \times 10^{-5} \text{ }^\circ\text{C}^{-1}$)
- See engineering manual for calculation of thermal expansion.

Part 274

Roller Chain Guide Profile

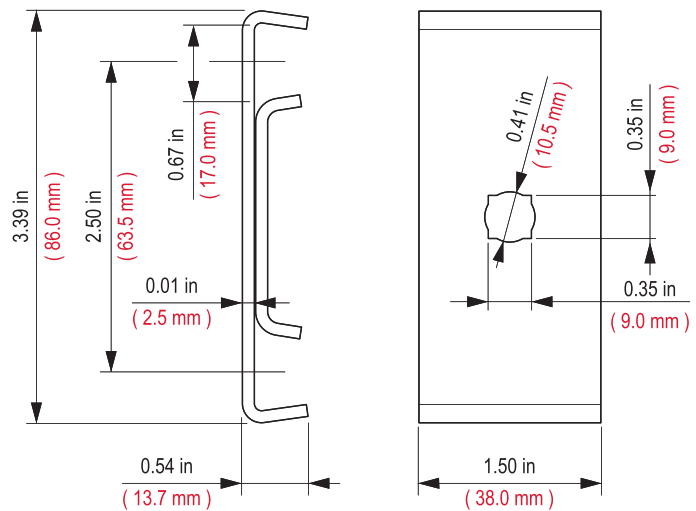


- Material: polyethylene UHMWPE (white) with molecular density 5,600,000 g/mol
- 14-gauge stainless steel sheath
- Linear expansion coefficient: $2.2 \times 10^{-5} \text{ } ^\circ\text{F}^{-1}$ ($4 \times 10^{-5} \text{ } ^\circ\text{C}^{-1}$)
- See engineering manual for calculation of thermal expansion.

Metal Profile Material	Stock Length		Part Number	Approximate Weight	
	ft	m		lb	kg
Austenitic Stainless Steel	10	3.1	274-66801	5.30	2.39

Part 217

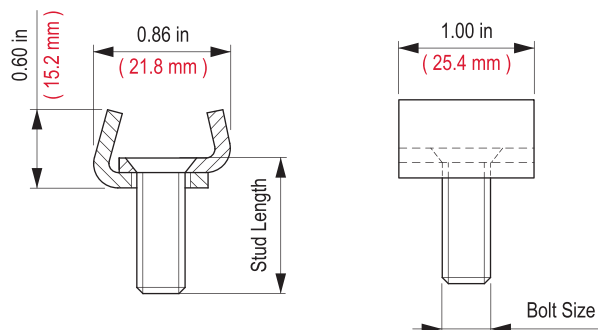
Double Clamp SS



Metal Profile Material	Part Number	Weight	
		lb	kg
Austenitic Stainless Steel	217-695131	0.31	0.14

■ ViseClamp™

Part 903

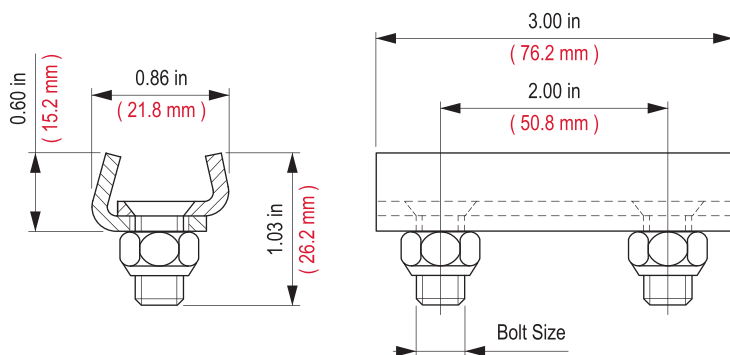


Stud Length	Part Number		Weight			
	in	mm		lb	kg	
0.75	19.0	5/16 - 18	903-654741	903-654101	0.07	0.03
1	25.4	5/16 - 18	903-654751	903-654111	0.08	0.04
0.88	17.5	M8	903-656001		0.08	0.04

- Material: austenitic stainless steel
- Self-locking nut
- Packaging: 50 pieces

■ ViseSplice™

Part 902



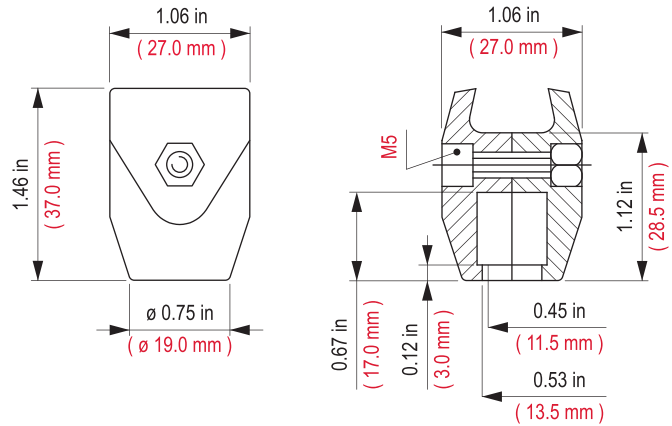
Bolt Size	Part Number	Weight	
		lb	kg
5/16 - 18	902-652041	0.23	0.10
M8	902-656041		

- Material: austenitic stainless steel
- Self-locking nut
- Packaging: 50 pieces

Part 210



■ Guide Rail Clamp



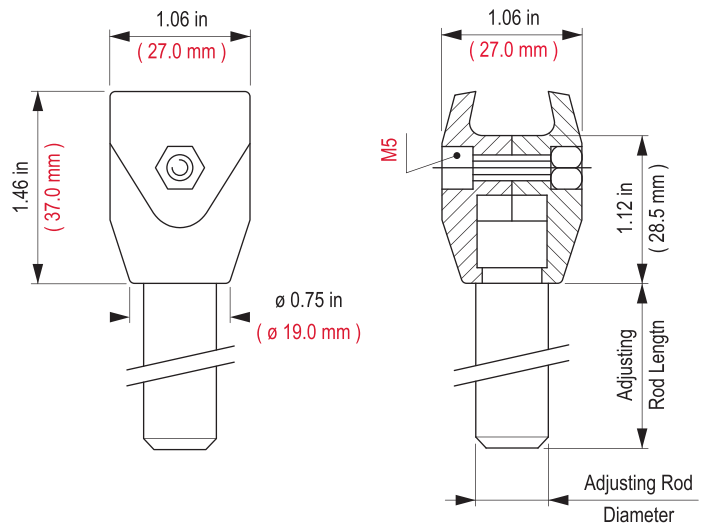
- Material: guide rail clamps in reinforced polyamide PA FV (black)
- Pin: austenitic stainless steel
- Bolt: austenitic stainless steel
- Nut: nickel plated brass

Rod Base Diameter		Part Number	Weight		Assembled Item
in	mm		lb	kg	
0.53	13.5	210-59941	0.02	0.01	NO
		210-654791			YES

Part 210P



■ Guide Rail Clamp Assembly

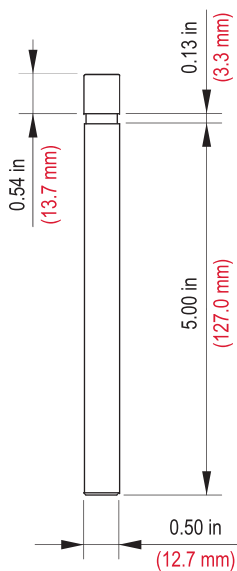


- Material: guide rail clamps in reinforced polyamide PA FV (black)
- Bolt: austenitic stainless steel
- Nut: nickel plated brass

Adjusting Rod Diameter		Adjusting Rod Length		Part Number	Weight		Part Number	
in	mm	in	mm		lb	kg	Guide Rail Clamp	Adjusting Rod
0.50	12.7	3.0	76.2	210-654671	0.30	0.09	210-59941	114-2308-1
		5.0	152.4	210-654681	0.33	0.15		114-2308-2

■ Adjusting Rod

Part 114-2308

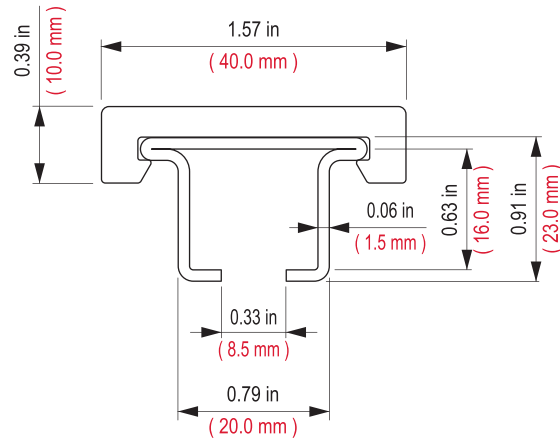


Rod Length		Part Number	Weight	
in	mm		lb	kg
3.00	76.2	114-2308-1	0.20	0.09
5.00	127.0	114-2308-2	0.32	0.14

- Material: austenitic stainless steel

Part 367

■ Flat Guide Rail

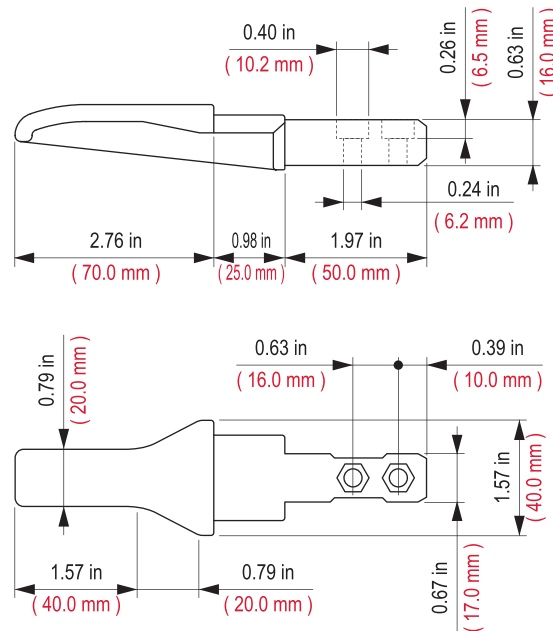


- Plastic Profile Material: polyethylene UHMWPE with molecular density 5,600,00 g/mol
- Color: black
- Standard Packaging: the plastic and metal profiles are supplied assembled

Metal Profile Material	Stock Length		Part Number	Approximate Weight	
	ft	m		lb	kg
Austenitic Stainless Steel	10	3.1	367-655712M	7.25	3.26

Part 550

■ Chain Inlet Guide Shoe

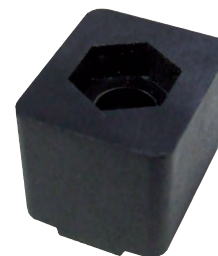
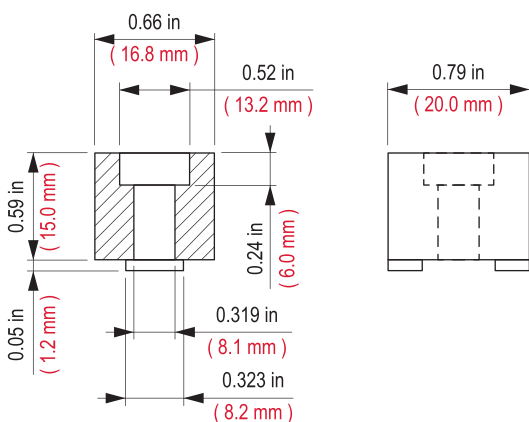


- Can be used in combination with Part S0367
- Material: polyamide PA (black)

Part Number	Approximate Weight	
	lb	kg
550-689491	0.09	0.04

■ Guide Rail Mounting Block

Part 371

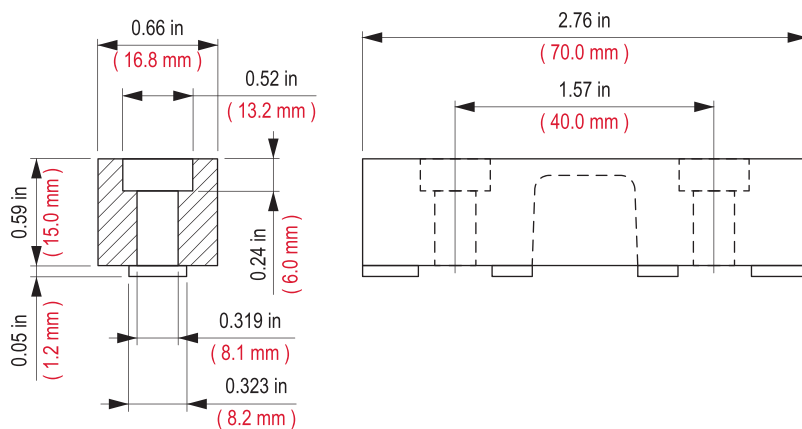


Bolt Size	Part Number	Weight	
		lb	kg
5/16 - 18 or M8	371-61056	0.013	0.006

- Use: easy assembly of wearstrips Part 367 on frame
- Material: reinforced polyamide PA FV (black)

■ Guide Rail Connecting Block

Part 621

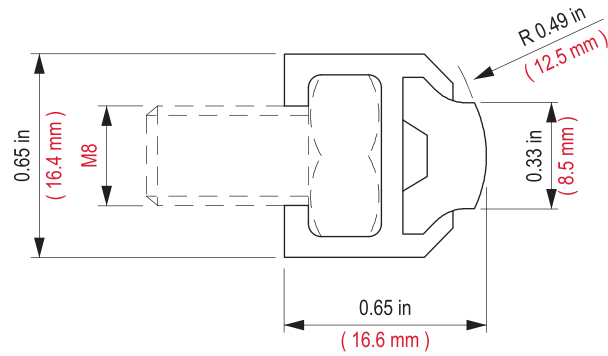


Bolt Size	Part Number	Weight	
		lb	kg
5/16 - 18 or M8	621-635542	0.026	0.012

- Use: easy connection of chain guide profiles Part 367
- Material: reinforced polyamide PA FV (black)

Part 346

■ Guide Rail Half Round

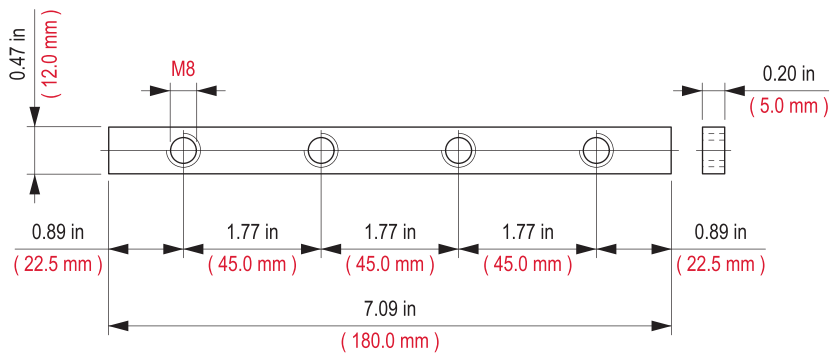


- Material: plastic profile in polyethylene UHMWPE (white) with molecular density 5,600,000 g/mol
- Metal profile in anodized aluminium
- Minimum curvature radius: 4.33 in (110 mm)
- Linear expansion coefficient: $1.1 \times 10^{-4} \text{ } ^\circ\text{F}^{-1}$ ($2 \times 10^{-4} \text{ } ^\circ\text{C}^{-1}$)
- See engineering manual for calculation of thermal expansion.

Stock Length		Part Number	Approximate Weight	
ft	m		lb	kg
10	3.1	346-60204	1.57	0.71

Part 369

■ Rail Connecting Bar

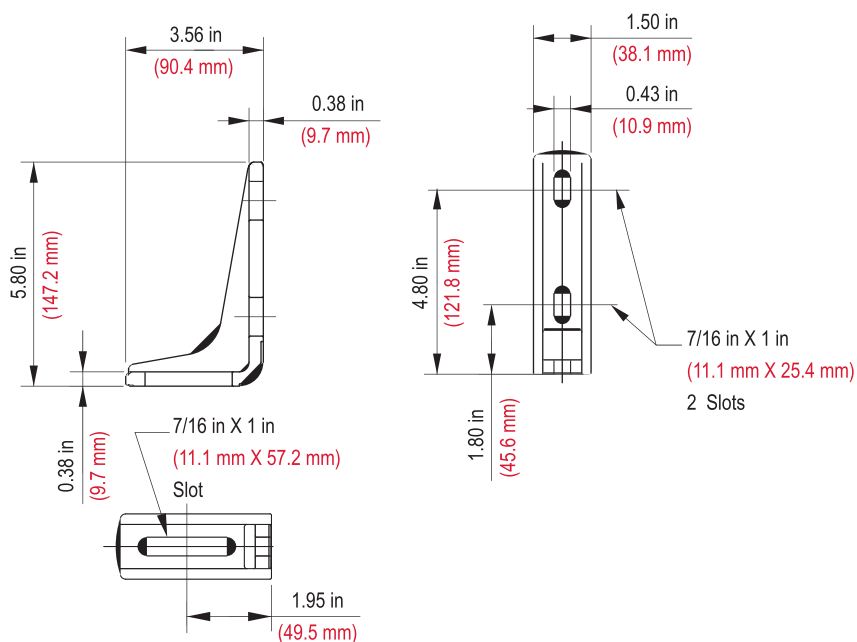


- Material: zinc plated steel

Part Number		Approximate Weight	
		lb	kg
369-69995		0.20	0.06

■ Upper Conveyor Bracket

Part 114-398

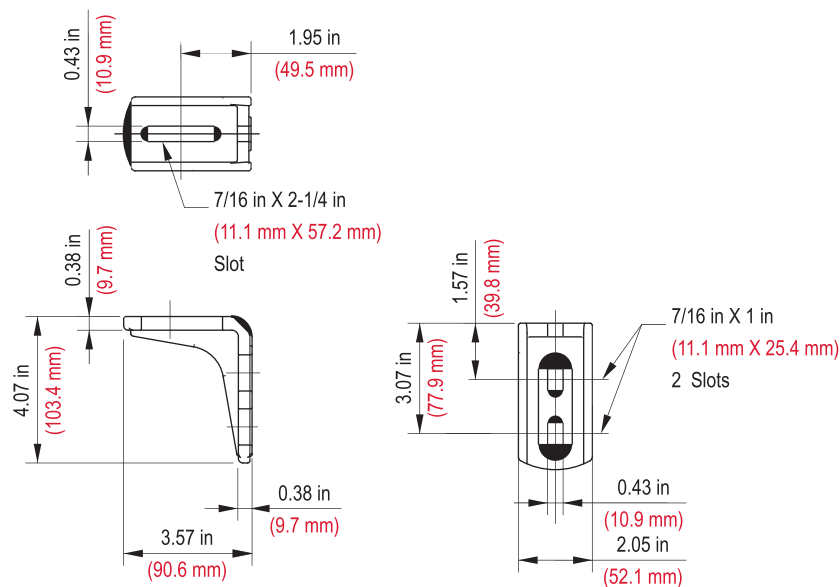


Part Number	Weight	
	lb	kg
114-398-1	0.29	0.13

- Material: reinforced polyamide PA FV (black)

■ Lower Conveyor Bracket

Part 114-399



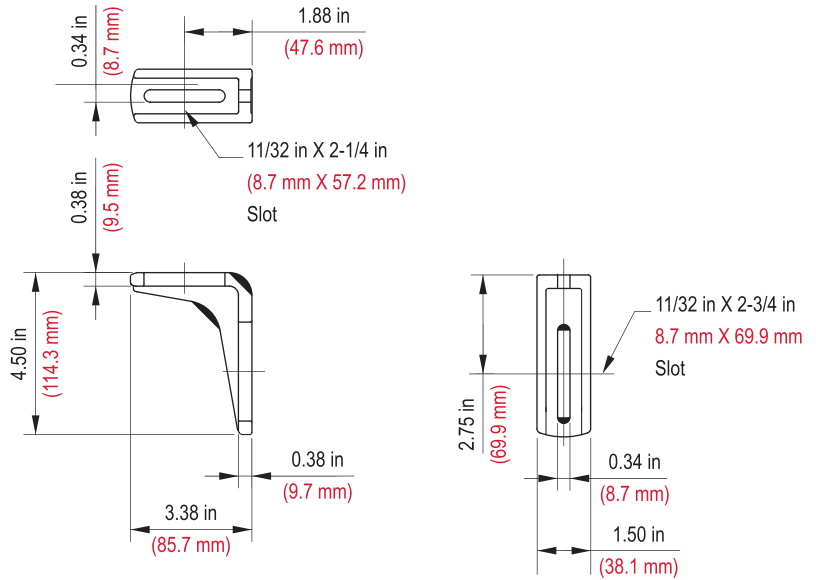
Part Number	Weight	
	lb	kg
114-399-1	0.29	0.13

- Material: reinforced polyamide PA FV (black)

Part 114-671



Lower Conveyor Bracket Type 2



- Material: reinforced polyamide PA FV (black)

Part Number

Weight

lb kg

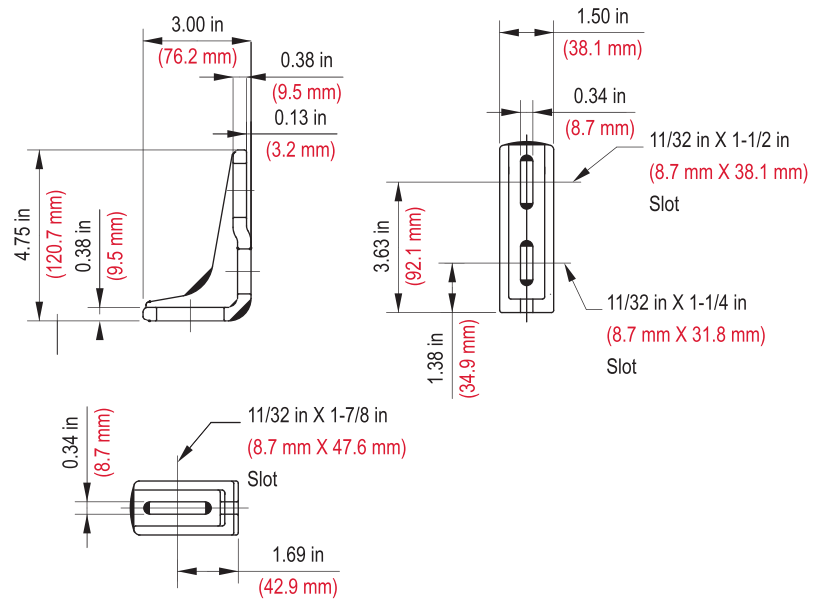
114-671-1

0.20 0.10

Part 114-672



Offset Upper Conveyor Bracket Type B



- Material: reinforced polyamide PA FV (black)

Part Number

Weight

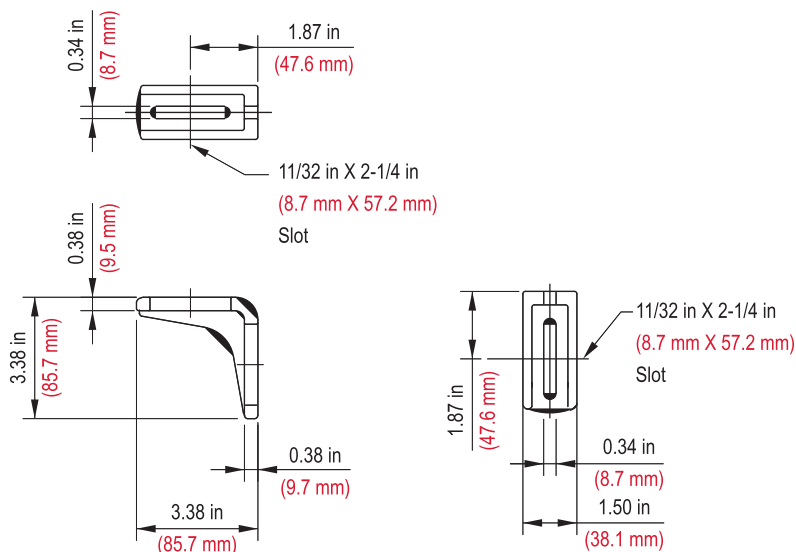
lb kg

114-672-1

0.20 0.10

■ Lower Conveyor Bracket Type 3

Part 114-673

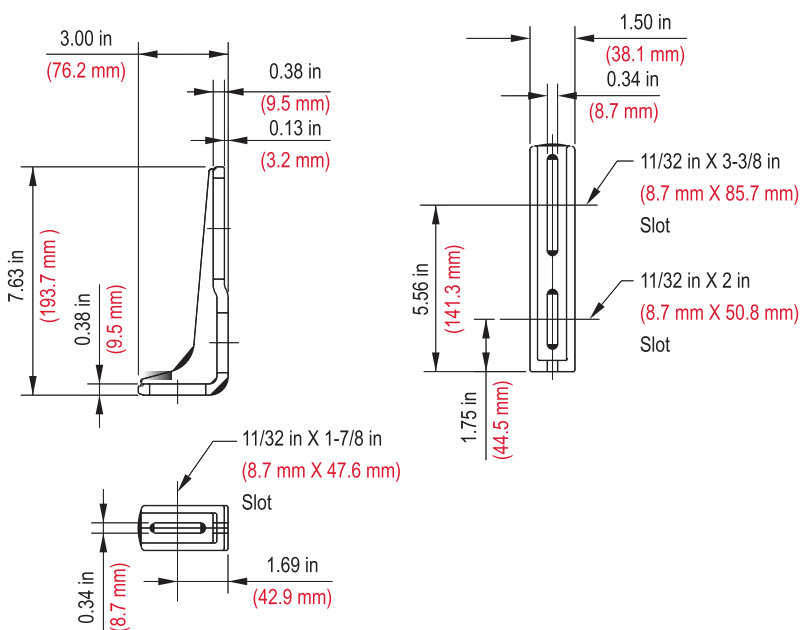


Part Number	Weight	
	lb	kg
114-673-1	0.20	0.08

- Material: reinforced polyamide PA FV (black)

■ Offset Upper Conveyor Bracket Type A

Part 114-674



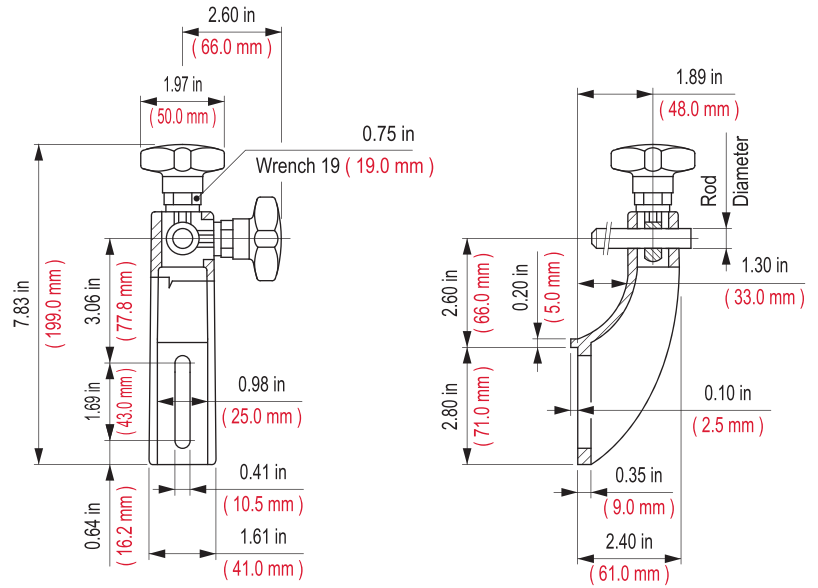
Part Number	Weight	
	lb	kg
114-674-1	0.30	0.15

- Material: reinforced polyamide PA FV (black)

Part 107



■ Guide Rail Bracket With Knob



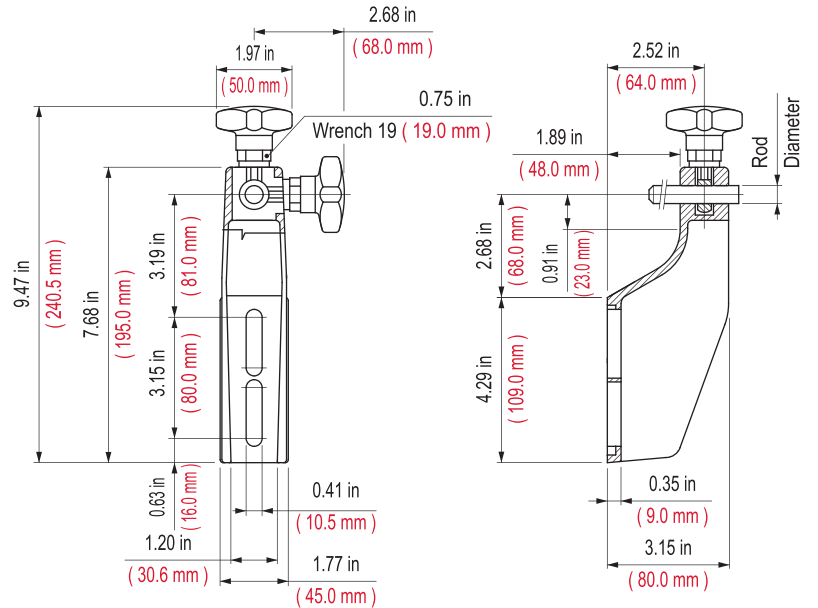
- Material: knob in reinforced polyamide, hexagonal insert (for 19 mm wrench) in nickel plated brass, tightening nut and eyebolt in austenitic stainless steel

Rod Diameter		Part Number	Weight	
in	mm		lb	kg
0.50	12.0	107-68200N	0.70	0.32

Part 599



■ Guide Rail Bracket With Knob

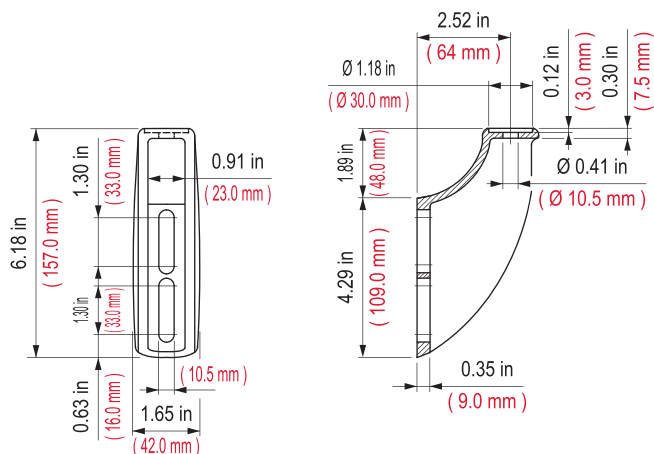


- Material: knob in reinforced polyamide (black), hexagonal insert (for 19 mm wrench) in nickel plated brass, eyebolt in austenitic stainless steel

Rod Diameter		Part Number	Weight	
in	mm		lb	kg
0.50	12.0	599-613572	0.20	0.11

■ Guide Rail Bracket Base Part

Part 632

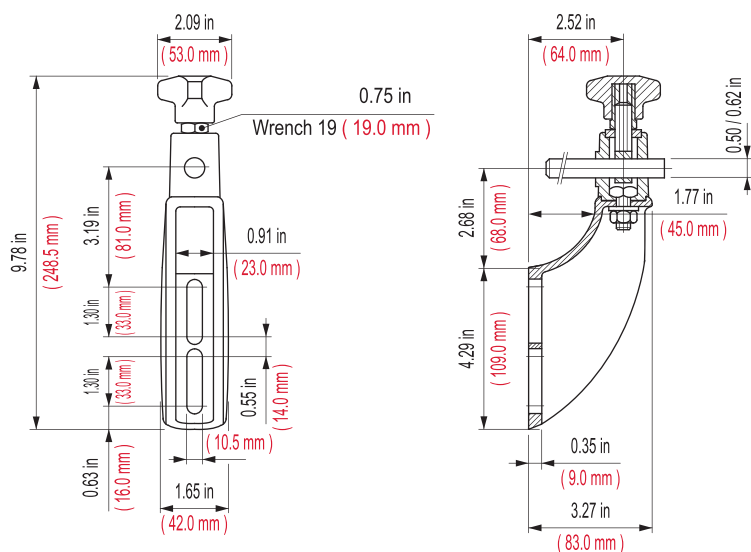


Part Number	Weight	
	lb	kg
632-647142	0.50	0.21

- Material: reinforced polyamide PA FV (black)

■ Guide Rail Bracket With Knob And Swivel Head

Part 637



Rod Diameter		Part Number	Weight	
in	mm		lb	kg
0.50	12.0	637-648372	0.90	0.40
0.62	16.0	637-648392		

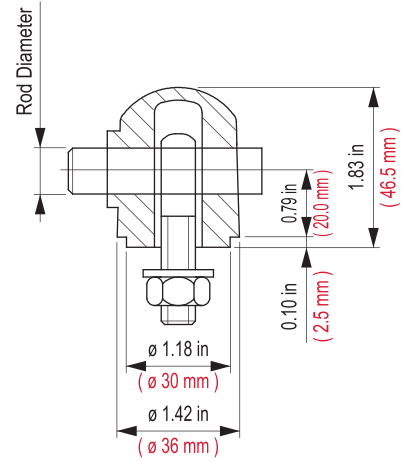
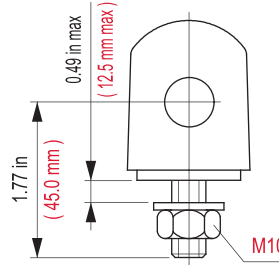
- Material: bracket, swivel head and knob in reinforced polyamide (black), hexagonal insert (for 19 mm wrench) in nickel plated brass, eyebolt and tightening nuts/bolt in austenitic stainless steel

- Operation: by untightening the bolt, the position of the top can be adjusted. By untightening the knob, the position of the pin can be adjusted.

Part 255



Swivel Head



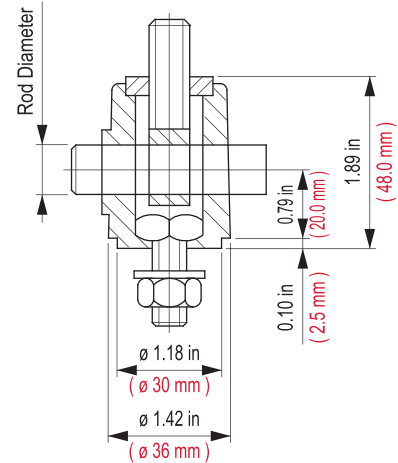
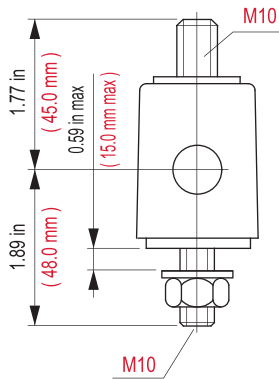
- Material: swivel head in reinforced polyamide PA FV (black), tightening nut and eyebolt in austenitic stainless steel

Rod Diameter		Part Number	Weight	
in	mm		lb	kg
0.50	12.0	255-685281	0.20	0.08

Part 256



Swivel

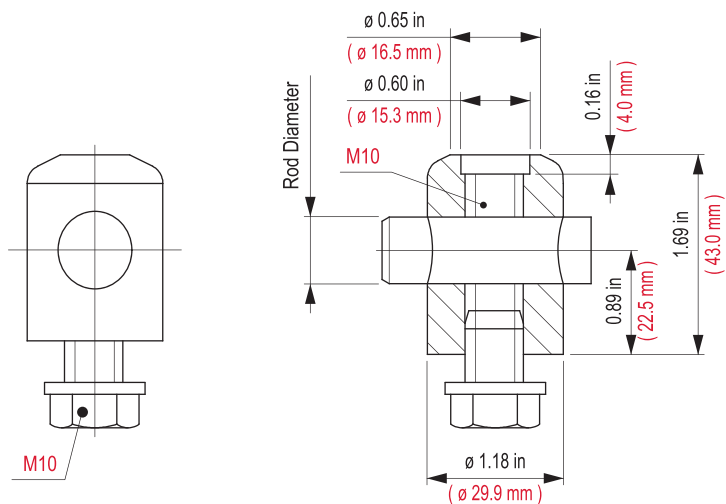


- Material: swivel head in reinforced polyamide PA FV (black), tightening nut and eyebolt in austenitic stainless steel

Rod Diameter		Part Number	Weight	
in	mm		lb	kg
0.50	12.0	256-64561	0.10	0.06
0.62	16.0	256-64581		

■ Swivel Head

Part 192

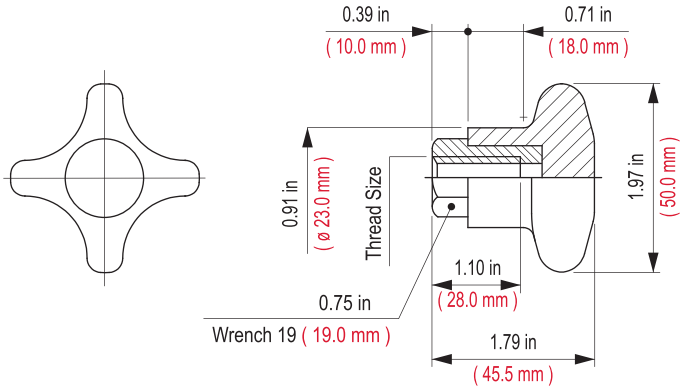


Rod Diameter		Part Number	Weight	
in	mm		lb	kg
From 0.50 to 0.62	16.0	192-674032	1.20	0.56

- Material: austenitic stainless steel

Part 182

■ Knob

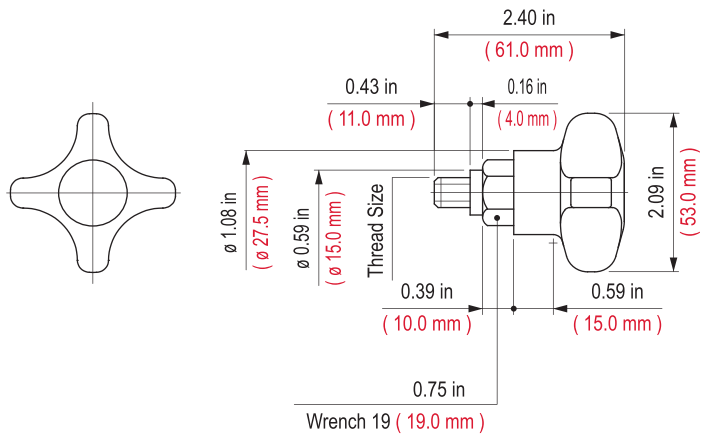


- Material: knob in reinforced polyamide PA FV (black), threaded insert in nickel plated brass

Thread Size	Part Number	Weight	
		lb	kg
M10	182-54911	0.20	0.09

Part 185

■ Knob

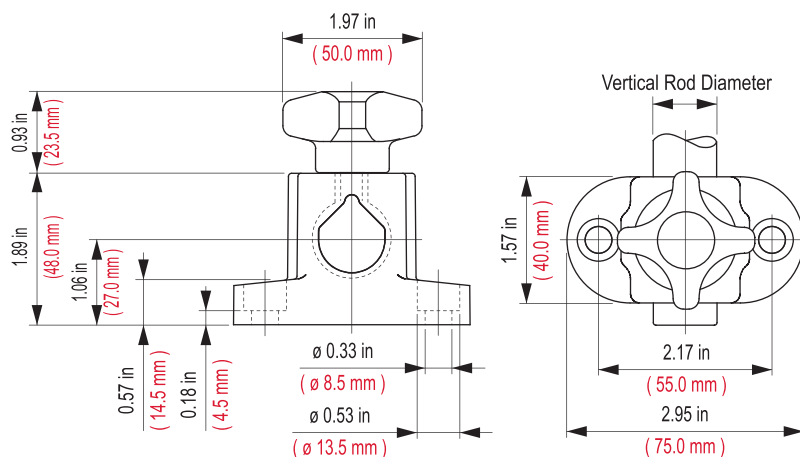


- Material: knob in reinforced polypropylene PP FV (grey), threaded insert in austenitic stainless steel

Thread Size	Part Number	Weight	
		lb	kg
M10	185-683902	0.30	0.11

T-Clamp With Eyebolt

Part 763

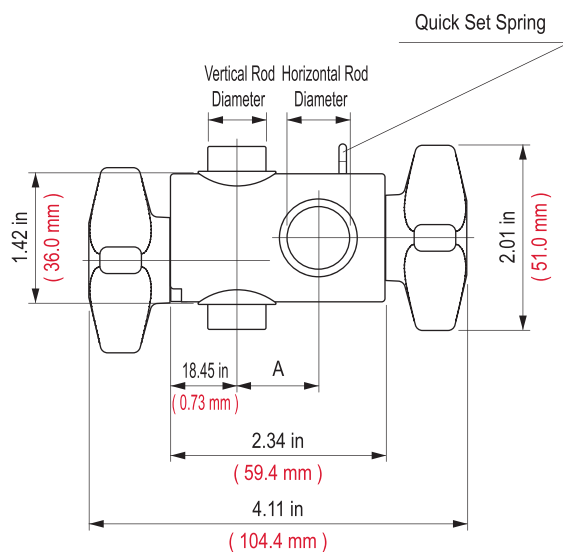


Vertical Rod Diameter		Part Number	Approximate Weight	
in	mm		lb	kg
0.75	20.0	763-610633	0.30	0.12

- Material: clamp and knob in reinforced polyamide PA FV (black), threaded insert in nickel plated brass; nut, washer and eyebolt in austenitic stainless steel

Cross Clamp With Knobs And Eyebolts, Quick Set

Part 732



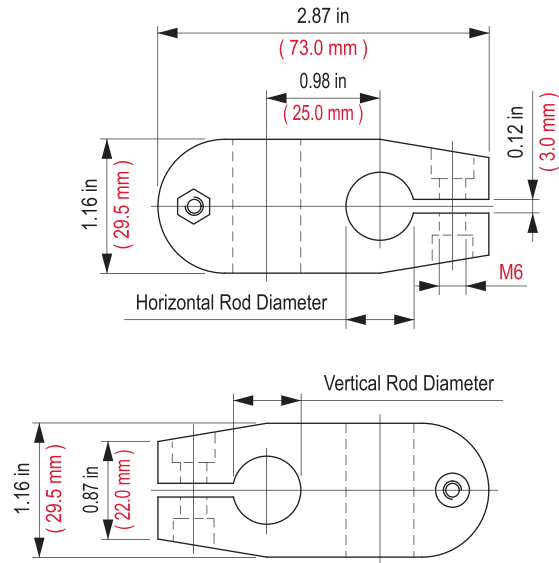
Vertical Rod Diameter		Horizontal Rod Diameter		Part Number	A		Approximate Weight	
in	mm	in	mm		in	mm	lb	kg
0.50	12.0	0.50	12.0	732-692352N	0.95	24.1		
0.50	12.0	0.62	16.0	732-692362N	0.95	24.1	0.20	0.09
0.62	16.0	0.62	16.0	732-692372N	0.87	22.0		

- Quick Set spring on one of the two rods
 - Material: clamp and knobs in reinforced polyamide PA FV (black), eyebolts in austenitic stainless steel

Part 174



■ Cross Clamp



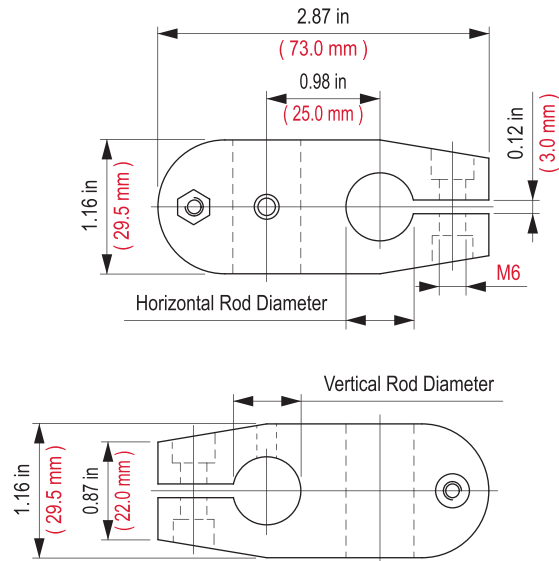
Vertical Rod Diameter	Horizontal Rod Diameter		Horizontal Rod Hexagon		Part Number	Approximate Weight		
	in	mm	in	mm		lb	kg	
0.50	12.7	0.50	12.7	-	-	174-646481	0.20	0.09
0.50	12.7	-	-	0.44	11.1	174-671861		

- Material: cross clamp in reinforced polyamide PA FV (black), tightening bolt in austenitic stainless steel

Part 174



■ Cross Clamp With Set Screw

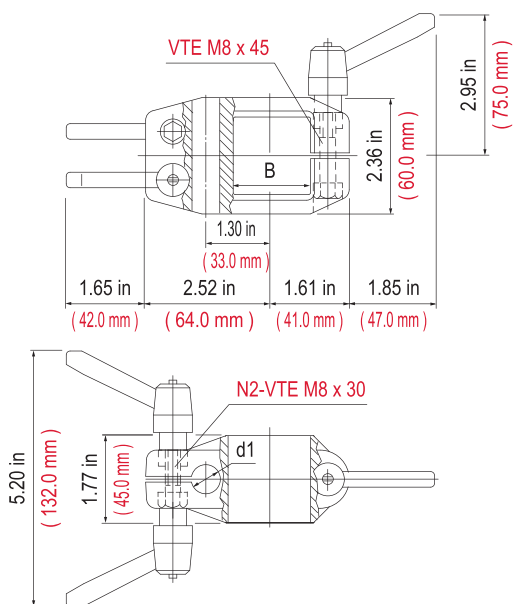


Vertical Rod Diameter	Horizontal Rod Diameter		Horizontal Rod Hexagon		Part Number	Approximate Weight		
	in	mm	in	mm		lb	kg	
0.50	12.7	0.50	12.7	-	-	174-654661	0.20	0.09
0.50	12.7	-	-	0.44	11.1	174-655991		

- Material: cross clamp in reinforced polyamide PA FV (black), tightening bolt in austenitic stainless steel
 - Set screw is only supplied in one bore

■ Square Bore Cross Clamp With 3 Ratchet Handles

Part 655

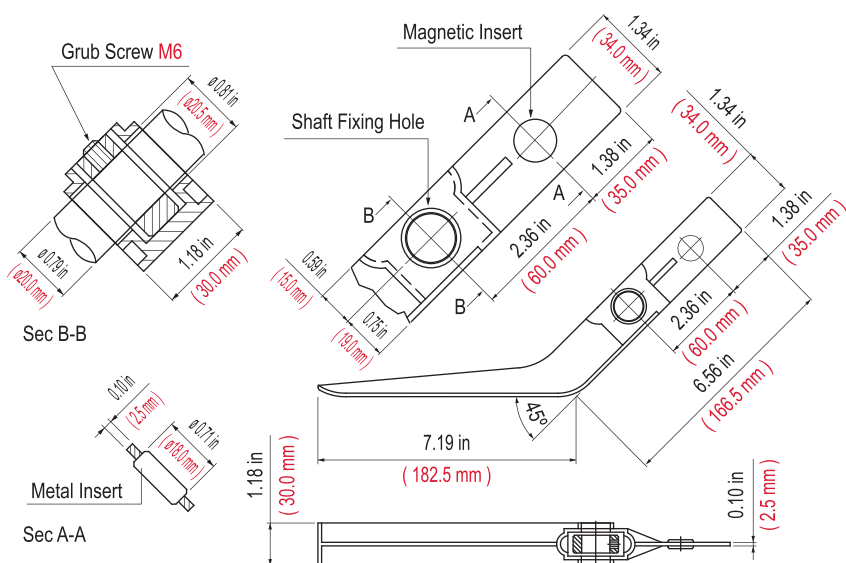


Vertical Rod Diameter	Horizontal Tube or Pipe Size	Part Number	Weight	
			lb	kg
0.62 in 15.85 mm	1-1/2 in (Tube) 38.1 mm	655-673132N	0.40	0.18
0.75 in 19.05 mm	1-1/2 in (Tube) 38.1 mm	655-673142N		

- Material clamp: body in reinforced polyamide PA FV (black), tightening screws in austenitic stainless steel
- Material handles: body in reinforced polyamide PA FV (black), threaded insert in nickel plated brass

■ Control Contact Lever

Part 518

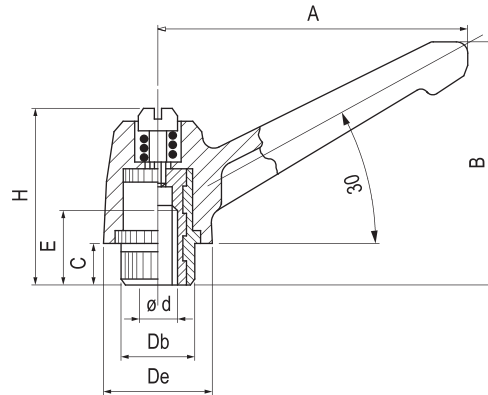


Part Number	Weight	
	lb	kg
518-642951N	0.2	0.1

- Material: lever in polypropylene (black), insert (for magnetic sensor) in ferritic stainless steel, locking spacer (for shaft fixing) in zinc plated steel

Part 302

Ratchet Handle

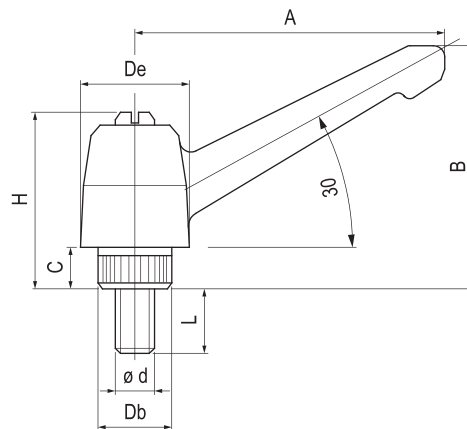


Thread Size	A		B		C		E		H		Db		De		Part Number	Weight	
	in	mm	in	mm	in	mm	in	mm	in	mm	in	mm	in	mm		lb	kg
5/16-18	2.17	55.0	2.01	51.0	0.39	10.0	0.55	14.0	1.46	37.0	0.59	15.0	0.79	20.0	302-60852	0.20	0.09
3/8-16	3.11	79.0	2.64	67.0	0.43	11.0	0.79	20.0	1.89	48.0	0.79	20.0	1.10	28.0	302-60952	0.20	0.09
M8	2.17	55.0	2.01	51.0	0.39	10.0	0.55	14.0	1.46	37.0	0.59	15.0	0.79	20.0	302-60862	0.20	0.09
M10	3.11	79.0	2.64	67.0	0.43	11.0	0.79	20.0	1.89	48.0	0.79	20.0	1.10	28.0	302-60962	0.20	0.09

- Material: handle in reinforced polyamide in PA FV (black), threaded insert in nickel plated brass

Part 303

Ratchet Handle

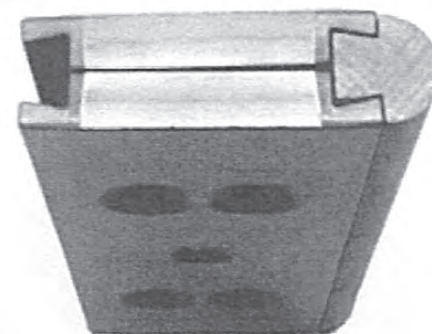
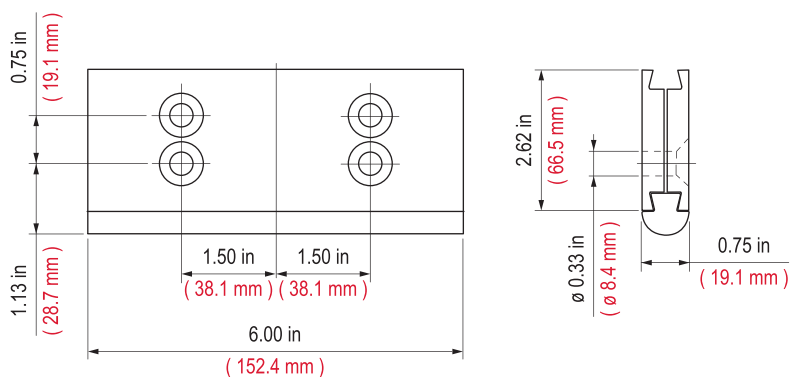


Thread Size	A		B		C		L		H		Db		De		Part Number	Weight	
	in	mm	in	mm	in	mm	in	mm	in	mm	in	mm	in	mm		lb	kg
1/4-20	1.57	40.0	1.57	40.0	0.28	7.0	0.79	20.0	1.26	32.0	0.45	11.5	0.63	16.0	303-60912	0.20	0.09
M6	1.57	40.0	1.57	40.0	0.28	7.0	0.79	20.0	1.26	32.0	0.45	11.5	0.63	16.0	303-60922	0.20	0.09
M8	2.17	55.0	2.01	51.0	0.39	10.0	0.98	25.0	1.46	37.0	0.59	15.0	0.79	20.0	303-60872	0.20	0.09
3/8-16	3.11	79.0	2.64	67.0	0.43	11.0	1.18	30.0	1.89	48.0	0.79	20.0	1.10	28.0	303-60932	0.20	0.09
M10	3.11	79.0	2.64	67.0	0.43	11.0	1.18	30.0	1.89	48.0	0.79	20.0	1.10	28.0	303-60942	0.20	0.09

- Material: handle in reinforced polyamide in PA FV (black), spindle in austenitic stainless steel

■ Modular Nose-Over Bar (Standard Profile)

Part 905

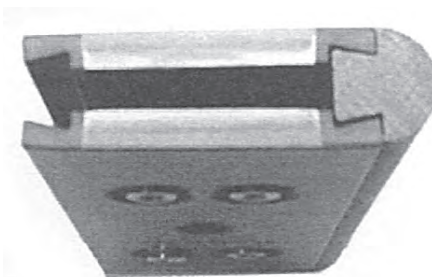
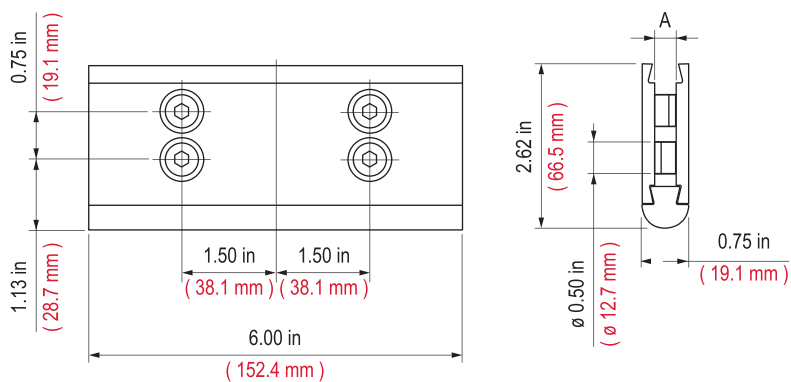


Part Number	Approximate Weight	
	lb	kg
905-655711	0.50	0.23

- Material: clamp in polyamide PA (black), sliding profile in Nylatron®

■ Modular Nose-Over Bar (Low Profile)

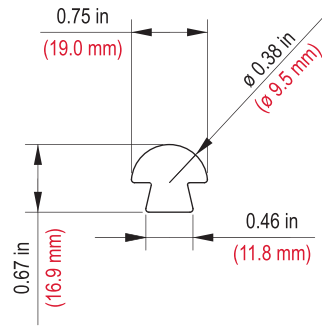
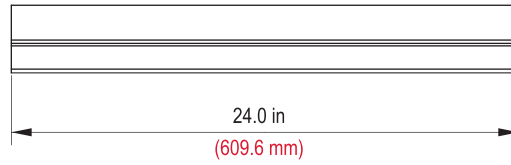
Part 905



Bolt Size	A		Part Number	Weight	
	in	mm		lb	kg
M6	-	8.0	905-655721	0.50	0.23
1/4-20	0.25	-	905-655731		

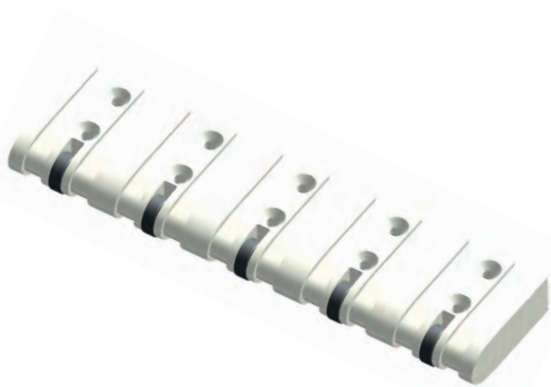
- Material: clamp in polyamide PA (black), sliding profile in Nylatron®, steel hardware

■ Nose Bar Replacement

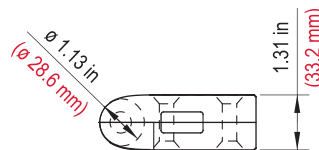
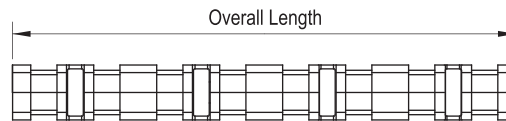
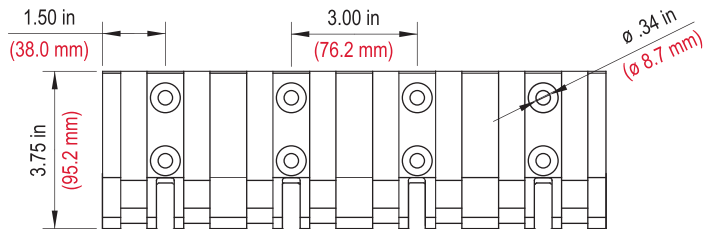


Overall Length		Part Number	Weight	
in	mm		lb	kg
24.00	609.6	0-656061	0.5	0.23

Part 905

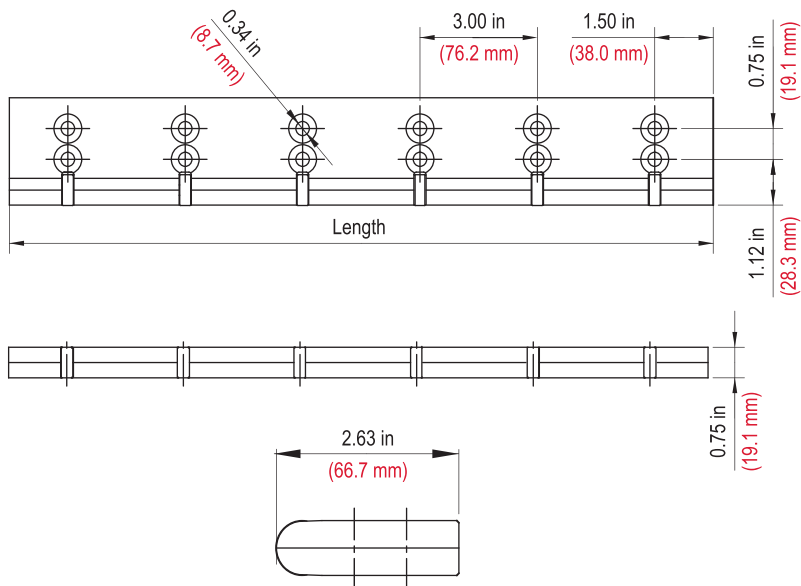


■ 8503 Dynamic Nose-Over Bars



Overall Length		Part Number	Weight	
in	mm		lb	kg
6.00	152.4	905-656751	1.1	0.50
12.00	304.8	905-656771	3.0	1.38
15.00	381.0	905-656781	2.9	1.33
18.00	457.2	905-656791	3.5	1.61
24.00	609.6	905-656811	4.7	2.16

■ Modular Nose-Over (Dynamic) — 1500

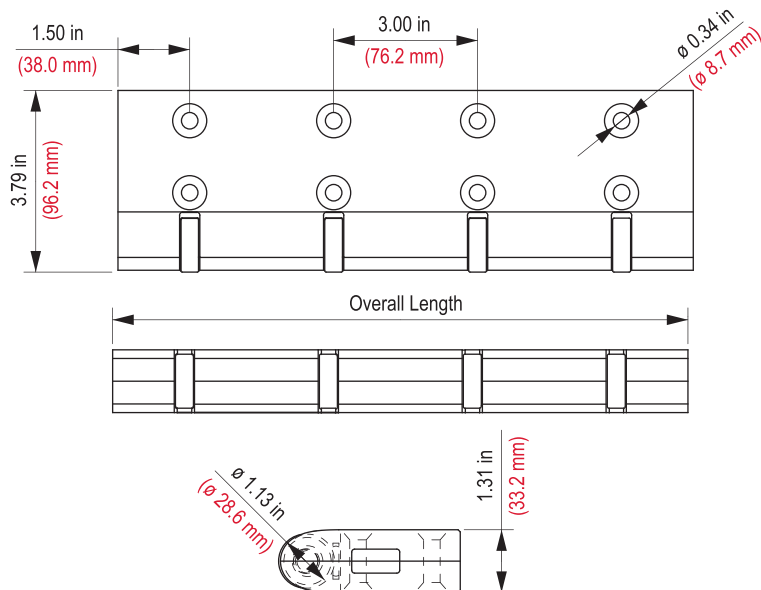


Part 905



Overall Length		Part Number	Weight	
in	mm		lb	kg
6.00	152.4	905-656421	0.5	0.21
18.00	457.2	905-656231	1.0	0.45
24.00	609.6	905-656241	1.3	0.59

■ 8505 & 8506 Dynamic Nose-Over Bars



Part 905

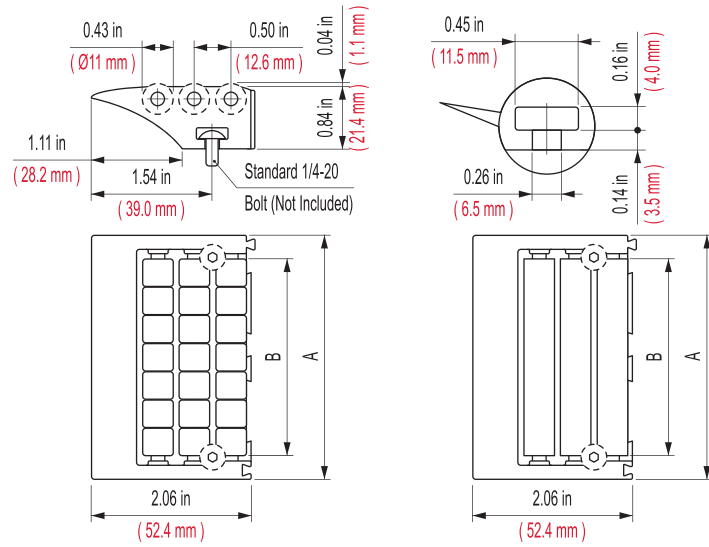


Overall Length		Part Number	Weight	
in	mm		lb	kg
6.00	152.4	905-656481	1.2	0.55
12.00	304.8	905-656501	2.6	1.18
15.00	381.0	905-656511	3.2	1.45
18.00	457.2	905-656521	3.9	1.77
24.00	609.6	905-656541	5.2	2.36

Part 567



Roller Transfer



Roller Type	Hardware	B		A		Part Number	Weight	
		in	mm	in	mm		lb	kg
Multiple Small Roller	-	2.66	67.6	3.35	85.0	567-688792	0.20	0.09
	M5x13mm	2.66	67.6	3.35	85.0	567-688812	0.20	0.09
Single Roller	-	3.82	97.0	4.53	115.0	567-687382	0.30	0.11
	-	2.66	67.6	3.35	85.0	567-688822	0.20	0.09
	-	3.82	97.0	4.53	115.0	567-699002	0.30	0.11

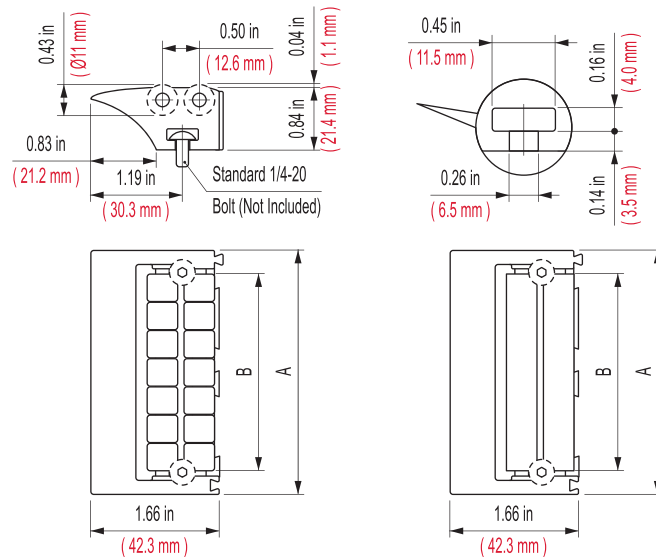
- Frame in Rexnord® HP™ material
- Multiple roller version uses rollers in Rexnord® HP™ material
- Single roller version uses rollers in polyethylene (white)
- Roller shafts are stainless steel

Patent no. US6164435

Part 672



Roller Transfer



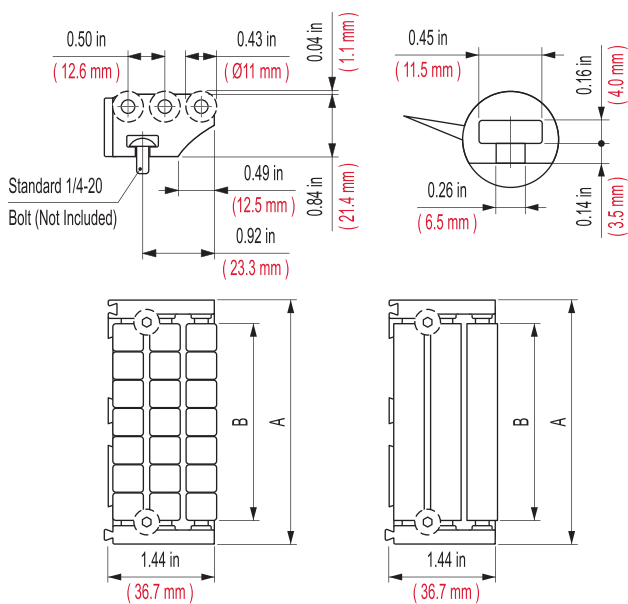
Roller Type	Hardware	B		A		Part Number	Weight	
		in	mm	in	mm		lb	kg
Multiple Small Roller	-	2.66	67.6	3.35	85.0	672-687412	0.20	0.09
	M5x13mm	2.66	67.6	3.35	85.0	672-675582	0.20	0.09
Single Roller	-	3.82	97.0	4.53	115.0	672-687432	0.30	0.11
	-	2.66	67.6	3.35	85.0	672-699032	0.20	0.09

- Frame in Rexnord® HP™ material
- Multiple roller version uses rollers in Rexnord® HP™ material
- Single roller version uses rollers in polyethylene (white)
- Roller shafts are stainless steel

Patent no. US6164435

Roller Transfer

Part 569



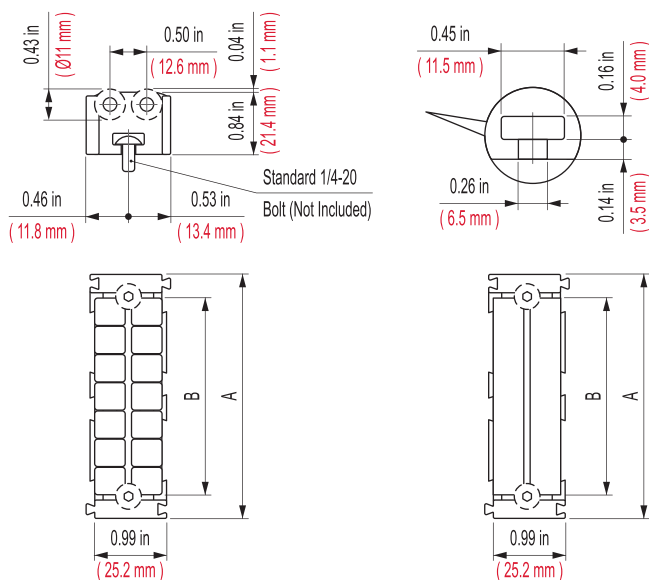
Roller Type	B		A		Part Number	Weight	
	in	mm	in	mm		lb	kg
Multiple Small	2.66	67.6	3.35	85.0	569-605922	0.20	0.09
Roller	3.82	97.0	4.53	115.0	569-687392	0.30	0.11
Single Roller	2.66	67.6	3.35	85.0	569-603412	0.20	0.09
	3.82	97.0	4.53	115.0	569-699012	0.30	0.11

- Frame in Rexnord® HP™ material
- Multiple roller version uses rollers in Rexnord® HP™ material
- Single roller version uses rollers in polyethylene (white)
- Roller shafts are stainless steel

Patent no. US6164435

Roller Transfer

Part 568



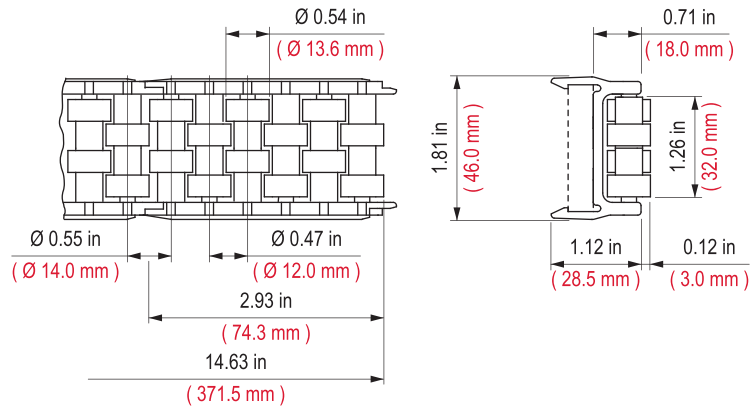
Roller Type	B		A		Part Number	Weight	
	in	mm	in	mm		lb	kg
Multiple Small	2.66	67.6	3.35	85.0	568-605912	0.20	0.09
Roller	3.82	97.0	4.53	115.0	568-687402	0.30	0.11
Single Roller	2.66	67.6	3.35	85.0	568-603402	0.20	0.09
	2.82	97.0	4.53	115.0	568-699022	0.30	0.11

- Frame in Rexnord® HP™ material
- Multiple roller version uses rollers in Rexnord® HP™ material
- Single roller version uses rollers in polyethylene (white)
- Roller shafts are stainless steel

Patent no. US6164435

Part 580

Side Roller Guide

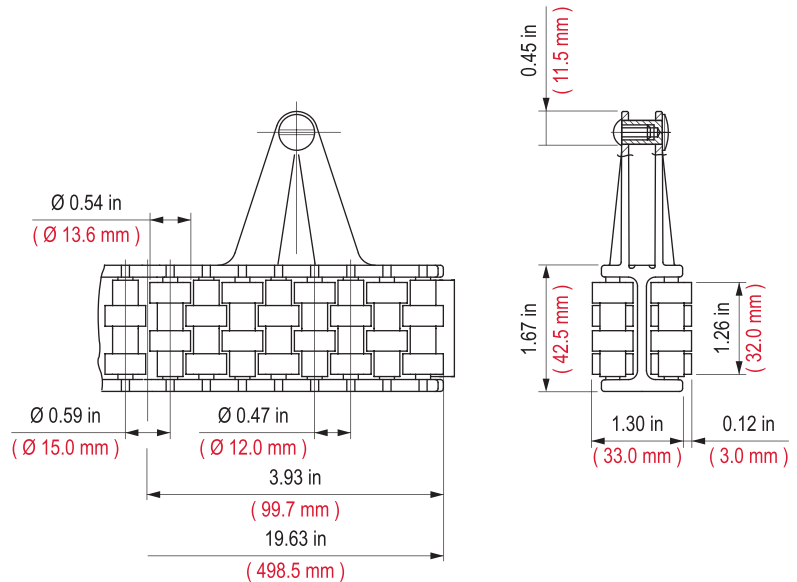
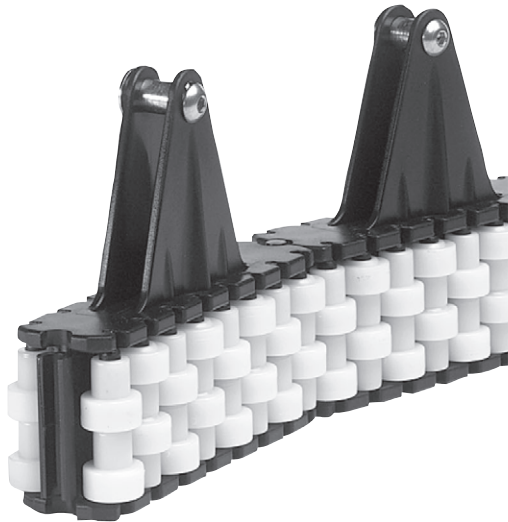


- Material: frame in acetal POM (black), rollers in acetal POM (white)
- Standard packaging: strands of 14.63 in (0.371 m) 5 modules

For	Part Number	Weight	
		lb	kg
40 mm X 10 mm Plate	580-611772	1.3	0.61
M Profile Part 537-689231	580-603302		

Part 557

Center Roller Guide

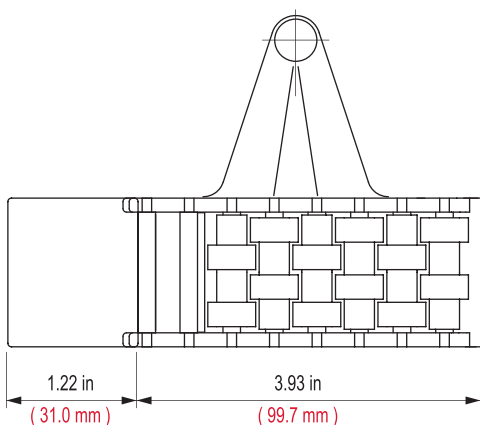


- Can be used in combination with Part S0580
- Material: frame in acetal POM (black), rollers in acetal POM (white)
- Minimum curvature radius: 13.19 in (335 mm)
- Standard packaging: strands of 19.63 in (0.498 m) 5 modules

Fits M Profile		Part Number	Weight	
Part Number			lb	kg
537-689231		557-695991N	1.5	0.68

■ Roller Guide Divider Module

Part 570

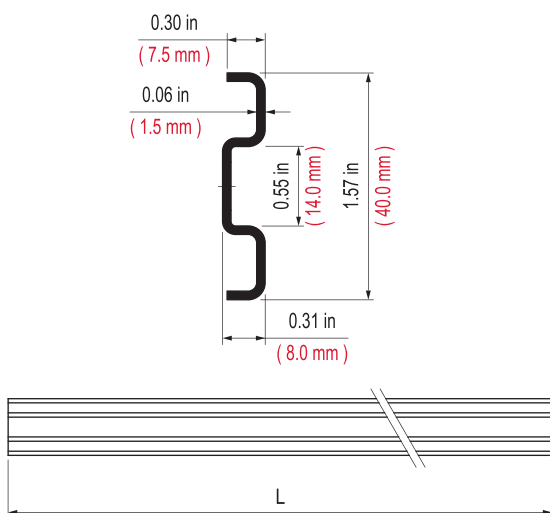


Fits M Profile Part Number	Part Number	Approximate Weight	
		lb	kg
537-689231	570-601162N	0.33	0.15

- Material: frame in acetal POM (black), rollers in acetal POM (white), separation block in polyethylene PE (black)

■ M Profile

Part 537



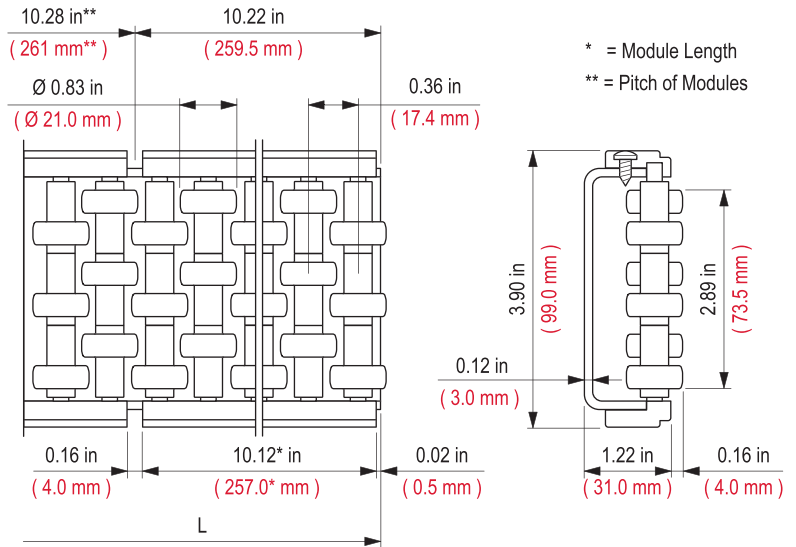
Overall Length in mm	Part Number	Approximate Weight	
		lb	kg
126.34 3209.0	537-689231	5.1	2.31

- Material: austenitic stainless steel
- Minimum curvature radius: 19.68 in (500 mm)

Part 128



Roller Side Guides

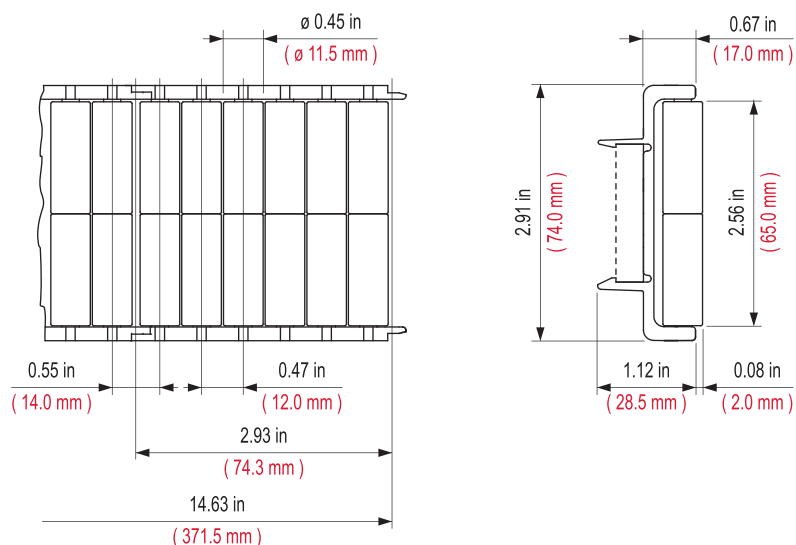


- Material: metal profile and screws in austenitic stainless steel, rollers in acetal POM (white), side straps in polyamide PA (black),
- Roller pins in ferritic stainless steel

Overall Length		Part Number	Weight	
in	mm		lb	kg
82.09	2085.0	128-62890	17.2	7.82

■ Roller Side Guide

Part 581

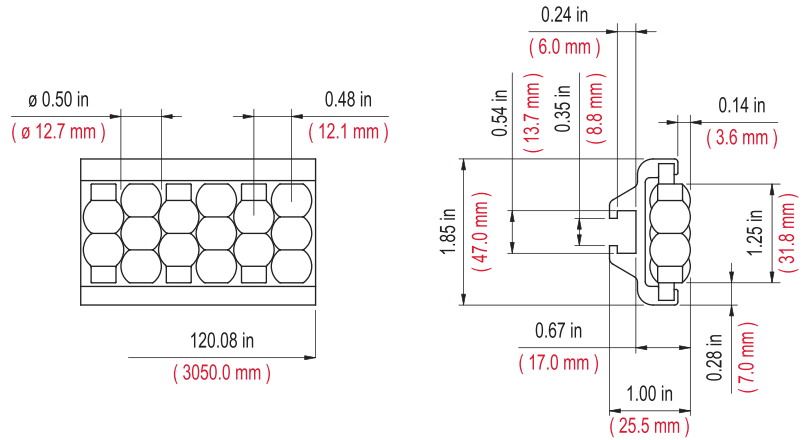


- Material: frame in acetal POM (black), rollers in acetal POM (white)
- Standard packaging: strands of 14.63 in (0.371 m) 5 modules

For	Part Number	Approximate Weight	
		lb	kg
40 mm x 8 mm Plate	581-603312	0.5	1.01

Part 756

■ Pearl™ Rail Roller Side Guides — 1 Side 1 High

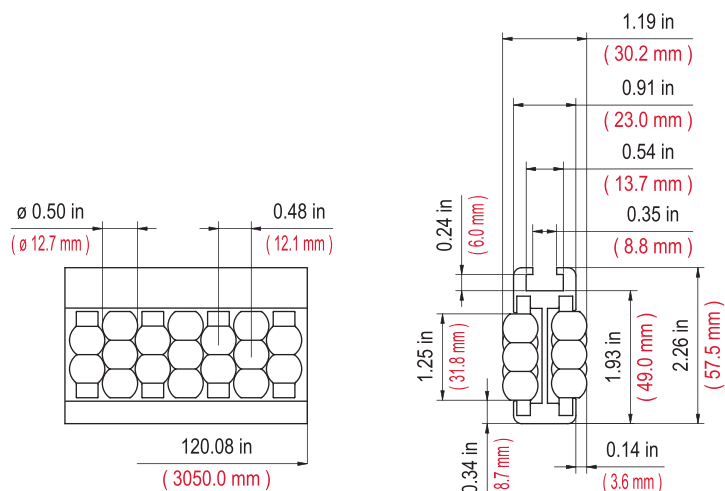


Roller Color	Approximate Overall Length		Part Number	Weight	
	in	mm		lb	kg
White	25.00	635.0	756-607733-1	1.5	0.67
	29.75	755.7	756-607733-2	1.8	0.80
	34.50	876.3	756-607733-3	2.1	0.93
	39.25	997.0	756-607733-4	2.3	1.07
	44.00	1117.6	756-607733-5	2.6	1.20
	48.75	1238.3	756-607733-6	2.9	1.33
	53.50	1358.9	756-607733-7	3.2	1.46
	58.25	1479.6	756-607733-8	3.5	1.60
	63.00	1600.2	756-607733-9	3.8	1.73
	67.75	1720.9	756-607733-10	4.1	1.86
	72.50	1841.5	756-607733-11	4.4	2.00
	77.25	1962.2	756-607733-12	4.7	2.13
	82.00	2082.8	756-607733-13	5.0	2.26
	86.75	2203.5	756-607733-14	5.3	2.40
	91.50	2324.1	756-607733-15	5.6	2.53
	96.25	2444.8	756-607733-16	5.9	2.66
	101.00	2565.4	756-607733-17	6.2	2.80
	105.75	2686.1	756-607733-18	6.4	2.93
	110.50	2806.7	756-607733-19	6.7	3.06
	115.25	2927.4	756-607733-20	7.0	3.20
120.00	3048.0	756-607733	7.3	3.33	
Brown	25.00	635.0	756-657041-1	1.5	0.67
	29.75	755.7	756-657041-2	1.8	0.80
	34.50	876.3	756-657041-3	2.1	0.93
	39.25	997.0	756-657041-4	2.3	1.07
	44.00	1117.6	756-657041-5	2.6	1.20
	48.75	1238.3	756-657041-6	2.9	1.33
	53.50	1358.9	756-657041-7	3.2	1.46
	58.25	1479.6	756-657041-8	3.5	1.60
	63.00	1600.2	756-657041-9	3.8	1.73
	67.75	1720.9	756-657041-10	4.1	1.86
	72.50	1841.5	756-657041-11	4.4	2.00
	77.25	1962.2	756-657041-12	4.7	2.13
	82.00	2082.8	756-657041-13	5.0	2.26
	86.75	2203.5	756-657041-14	5.3	2.40
	91.50	2324.1	756-657041-15	5.6	2.53
	96.25	2444.8	756-657041-16	5.9	2.66
	101.00	2565.4	756-657041-17	6.2	2.80
	105.75	2686.1	756-657041-18	6.4	2.93
	110.50	2806.7	756-657041-19	6.7	3.06
	115.25	2927.4	756-657041-20	7.0	3.20
120.00	3048.0	756-657041	7.3	3.33	

- Self-supporting structure
- Material: metal profile in anodized aluminum, rollers in polyethylene PE, frame and pins in acetal POM
- Quick and easy installation with 5/16 or M8 standard bolts
- Can be used straight-running and sideflexing
- Low-friction rollers

■ Pearl™ Rail Roller Side Guides — 2 Side 1 High

Part 754

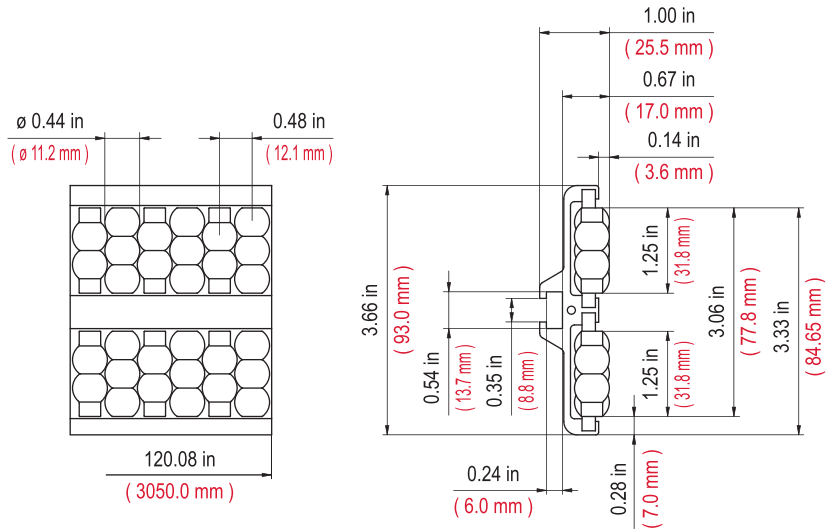


Roller Color	Approximate Overall Length		Part Number	Weight	
	in	mm		lb	kg
White	25.00	635.0	754-607653-1	2.1	0.96
	29.75	755.7	754-607653-2	2.5	1.15
	34.50	876.3	754-607653-3	3.0	1.34
	39.25	997.0	754-607653-4	3.4	1.54
	44.00	1117.6	754-607653-5	3.8	1.73
	48.75	1238.3	754-607653-6	4.2	1.92
	53.50	1358.9	754-607653-7	4.6	2.11
	58.25	1479.6	754-607653-8	5.1	2.30
	63.00	1600.2	754-607653-9	5.5	2.49
	67.75	1720.9	754-607653-10	5.9	2.69
	72.50	1841.5	754-607653-11	6.3	2.88
	77.25	1962.2	754-607653-12	6.8	3.07
	82.00	2082.8	754-607653-13	7.2	3.26
	86.75	2203.5	754-607653-14	7.6	3.45
	91.50	2324.1	754-607653-15	8.0	3.65
	96.25	2444.8	754-607653-16	8.4	3.84
	101.00	2565.4	754-607653-17	8.9	4.03
	105.75	2686.1	754-607653-18	9.3	4.22
	110.50	2806.7	754-607653-19	9.7	4.41
	115.25	2927.4	754-607653-20	10.1	4.61
120.00	3048.0	754-607653	10.6	4.80	
Brown	25.00	635.0	754-657021-1	2.1	0.96
	29.75	755.7	754-657021-2	2.5	1.15
	34.50	876.3	754-657021-3	3.0	1.34
	39.25	997.0	754-657021-4	3.4	1.54
	44.00	1117.6	754-657021-5	3.8	1.73
	48.75	1238.3	754-657021-6	4.2	1.92
	53.50	1358.9	754-657021-7	4.6	2.11
	58.25	1479.6	754-657021-8	5.1	2.30
	63.00	1600.2	754-657021-9	5.5	2.49
	67.75	1720.9	754-657021-10	5.9	2.69
	72.50	1841.5	754-657021-11	6.3	2.88
	77.25	1962.2	754-657021-12	6.8	3.07
	82.00	2082.8	754-657021-13	7.2	3.26
	86.75	2203.5	754-657021-14	7.6	3.45
	91.50	2324.1	754-657021-15	8.0	3.65
	96.25	2444.8	754-657021-16	8.4	3.84
	101.00	2565.4	754-657021-17	8.9	4.03
	105.75	2686.1	754-657021-18	9.3	4.22
	110.50	2806.7	754-657021-19	9.7	4.41
	115.25	2927.4	754-657021-20	10.1	4.61
120.00	3048.0	754-657021	10.6	4.80	

- Self-supporting structure
- Material: metal profile in anodized aluminum, rollers in polyethylene PE, frame and pins in acetal POM
- Quick and easy installation with 5/16 or M8 standard bolts
- Can be used straight-running and sideflexing
- Low-friction rollers

Part 756

■ Pearl™ Rail Roller Side Guides — 1 Side 2 High

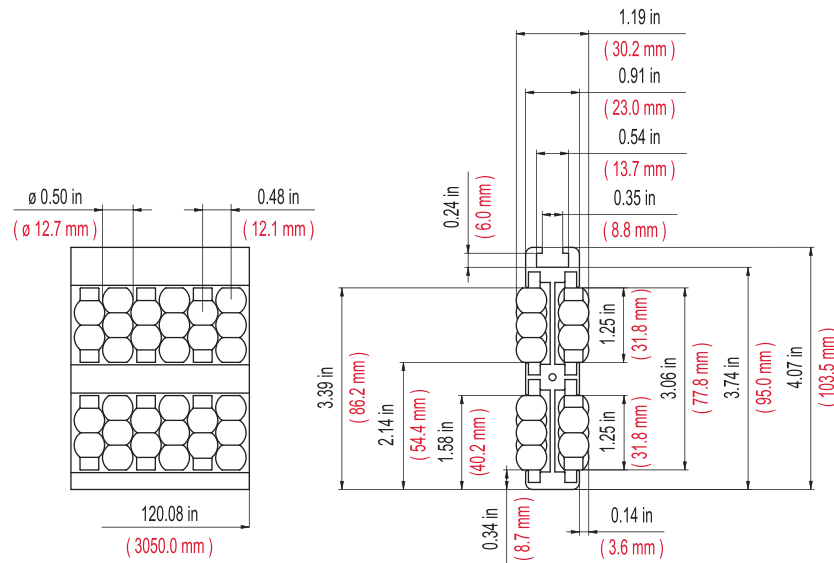


Roller Color	Approximate Overall Length		Part Number	Weight	
	in	mm		lb	kg
White	25.00	635.0	756-607753-1	2.5	1.12
	29.75	755.7	756-607753-2	3.0	1.34
	34.50	876.3	756-607753-3	3.5	1.57
	39.25	997.0	756-607753-4	3.9	1.79
	44.00	1117.6	756-607753-5	4.4	2.02
	48.75	1238.3	756-607753-6	4.9	2.24
	53.50	1358.9	756-607753-7	5.4	2.47
	58.25	1479.6	756-607753-8	5.9	2.69
	63.00	1600.2	756-607753-9	6.4	2.91
	67.75	1720.9	756-607753-10	6.9	3.14
	72.50	1841.5	756-607753-11	7.4	3.36
	77.25	1962.2	756-607753-12	7.9	3.59
	82.00	2082.8	756-607753-13	8.4	3.81
	86.75	2203.5	756-607753-14	8.9	4.03
	91.50	2324.1	756-607753-15	9.4	4.26
	96.25	2444.8	756-607753-16	9.9	4.48
	101.00	2565.4	756-607753-17	10.4	4.71
	105.75	2686.1	756-607753-18	10.8	4.93
	110.50	2806.7	756-607753-19	11.3	5.16
	115.25	2927.4	756-607753-20	11.8	5.38
120.00	3048.0	756-607753	12.3	5.60	
Brown	25.00	635.0	756-657031-1	2.5	1.12
	29.75	755.7	756-657031-2	3.0	1.34
	34.50	876.3	756-657031-3	3.5	1.57
	39.25	997.0	756-657031-4	3.9	1.79
	44.00	1117.6	756-657031-5	4.4	2.02
	48.75	1238.3	756-657031-6	4.9	2.24
	53.50	1358.9	756-657031-7	5.4	2.47
	58.25	1479.6	756-657031-8	5.9	2.69
	63.00	1600.2	756-657031-9	6.4	2.91
	67.75	1720.9	756-657031-10	6.9	3.14
	72.50	1841.5	756-657031-11	7.4	3.36
	77.25	1962.2	756-657031-12	7.9	3.59
	82.00	2082.8	756-657031-13	8.4	3.81
	86.75	2203.5	756-657031-14	8.9	4.03
	91.50	2324.1	756-657031-15	9.4	4.26
	96.25	2444.8	756-657031-16	9.9	4.48
	101.00	2565.4	756-657031-17	10.4	4.71
	105.75	2686.1	756-657031-18	10.8	4.93
	110.50	2806.7	756-657031-19	11.3	5.16
	115.25	2927.4	756-657031-20	11.8	5.38
120.00	3048.0	756-657031	12.3	5.60	

- Self-supporting structure
- Material: metal profile in anodized aluminum, rollers in polyethylene PE, frame and pins in acetal POM
- Quick and easy installation with 5/16 or M8 standard bolts
- Can be used straight-running and sideflexing
- Low-friction rollers

■ Pearl™ Rail Roller Side Guides — 2 Side 2 High

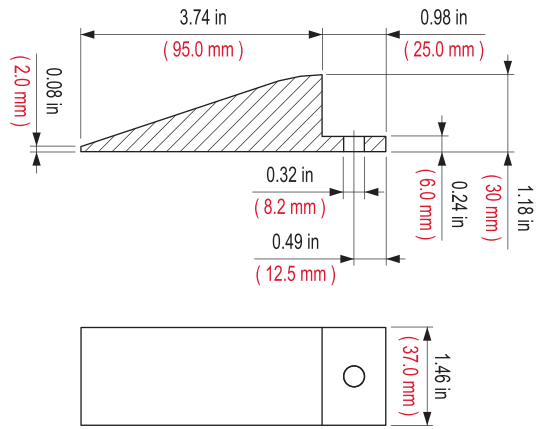
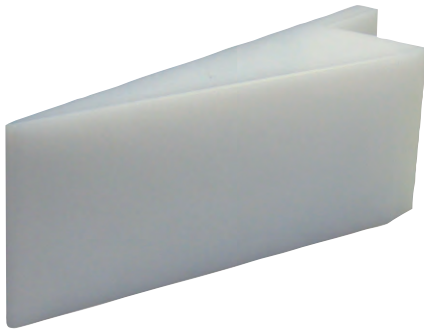
Part 754



Roller Color	Approximate Overall Length		Part Number	Weight	
	in	mm		lb	kg
White	25.00	635.0	754-607673-1	3.7	1.67
	29.75	755.7	754-607673-2	4.4	2.00
	34.50	876.3	754-607673-3	5.1	2.33
	39.25	997.0	754-607673-4	5.9	2.67
	44.00	1117.6	754-607673-5	6.6	3.00
	48.75	1238.3	754-607673-6	7.3	3.33
	53.50	1358.9	754-607673-7	8.1	3.67
	58.25	1479.6	754-607673-8	8.8	4.00
	63.00	1600.2	754-607673-9	9.5	4.34
	67.75	1720.9	754-607673-10	10.3	4.67
	72.50	1841.5	754-607673-11	11.0	5.00
	77.25	1962.2	754-607673-12	11.7	5.34
	82.00	2082.8	754-607673-13	12.5	5.67
	86.75	2203.5	754-607673-14	13.2	6.00
	91.50	2324.1	754-607673-15	13.9	6.34
	96.25	2444.8	754-607673-16	14.7	6.67
	101.00	2565.4	754-607673-17	15.4	7.00
	105.75	2686.1	754-607673-18	16.1	7.34
	110.50	2806.7	754-607673-19	16.9	7.67
	115.25	2927.4	754-607673-20	17.6	8.00
120.00	3048.0	754-607673	18.3	8.34	
Brown	25.00	635.0	754-657011-1	3.7	1.67
	29.75	755.7	754-657011-2	4.4	2.00
	34.50	876.3	754-657011-3	5.1	2.33
	39.25	997.0	754-657011-4	5.9	2.67
	44.00	1117.6	754-657011-5	6.6	3.00
	48.75	1238.3	754-657011-6	7.3	3.33
	53.50	1358.9	754-657011-7	8.1	3.67
	58.25	1479.6	754-657011-8	8.8	4.00
	63.00	1600.2	754-657011-9	9.5	4.34
	67.75	1720.9	754-657011-10	10.3	4.67
	72.50	1841.5	754-657011-11	11.0	5.00
	77.25	1962.2	754-657011-12	11.7	5.34
	82.00	2082.8	754-657011-13	12.5	5.67
	86.75	2203.5	754-657011-14	13.2	6.00
	91.50	2324.1	754-657011-15	13.9	6.34
	96.25	2444.8	754-657011-16	14.7	6.67
	101.00	2565.4	754-657011-17	15.4	7.00
	105.75	2686.1	754-657011-18	16.1	7.34
	110.50	2806.7	754-657011-19	16.9	7.67
	115.25	2927.4	754-657011-20	17.6	8.00
120.00	3048.0	754-657011	18.3	8.34	

- Self-supporting structure
- Material: metal profile in anodized aluminum, rollers in polyethylene PE, frame and pins in acetal POM
- Quick and easy installation with 5/16 or M8 standard bolts
- Can be used straight-running and sideflexing
- Low-friction rollers

Part 760

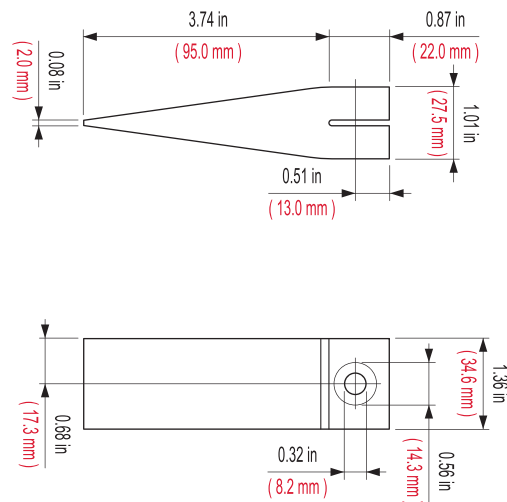
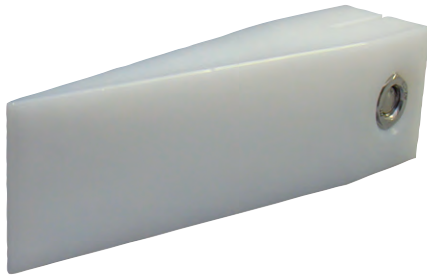


- Material: polyethylene PE (white)

■ Pearl™ Rail Roller Side Guides — 1 Side 1 High Separation Block

Pearl Rail Type	Part Number	Weight	
		lb	kg
1 Side 1 High	760-613433	0.1	0.06

Part 759



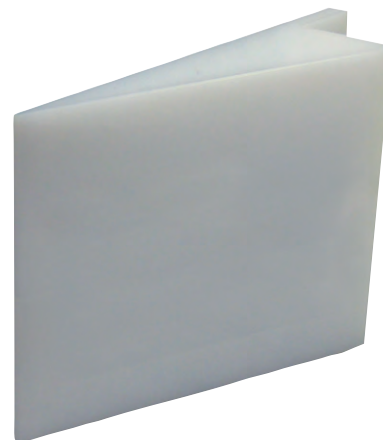
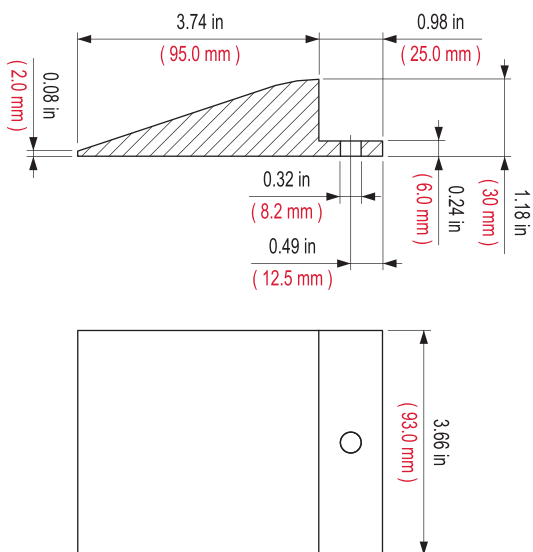
- Material: polyethylene PE (white)

■ Pearl™ Rail Roller Side Guides — 2 Side 1 High Separation Block

Pearl Rail Type	Part Number	Weight	
		lb	kg
2 Side 1 High	759-613413	0.1	0.06

■ Pearl™ Rail Roller Side Guides — 1 Side 2 High Separation Block

Part 760

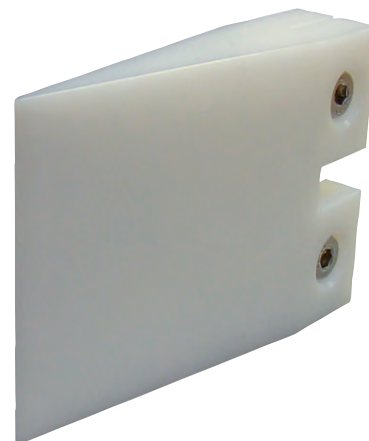
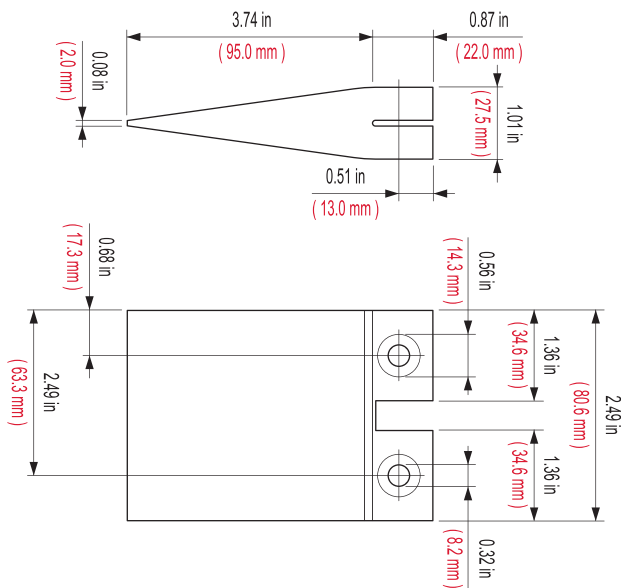


Pearl Rail Type	Part Number	Approximate Weight	
		lb	kg
1 Side 2 High	760-613443	0.3	0.12

- Material: polyethylene PE (white)

■ Pearl™ Rail Roller Side Guides — 2 Side 2 High Separation Block

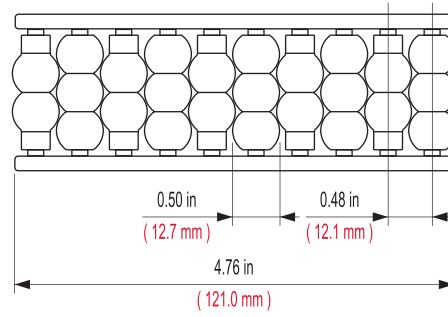
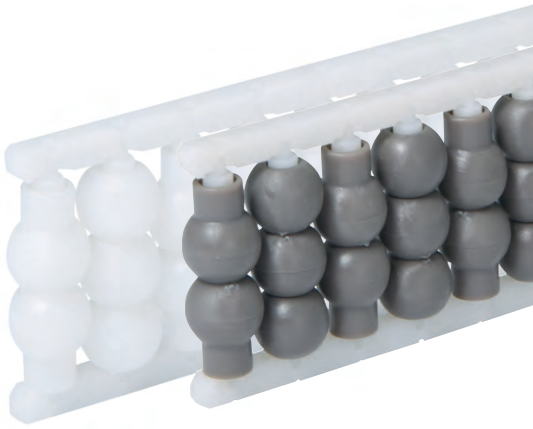
Part 759



Pearl Rail Type	Part Number	Approximate Weight	
		lb	kg
2 Side 2 High	759-613423	0.3	0.12

- Material: polyethylene PE (white)

■ Pearl™ Rail Roller Side Guides — Loose Roller Modules

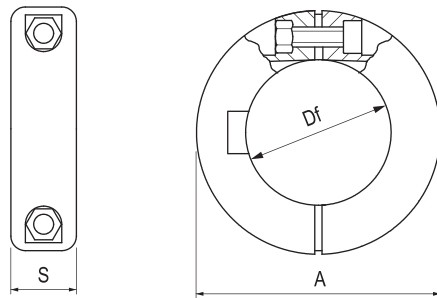


- Material: frame in acetal POM, rollers in polyethylene PE

Roller Color	Part Number	Weight	
		lb	kg
White	0-607863	0.10	0.04
Brown	0-640463		

■ Split Shaft Collar with Round Bore

Part 612

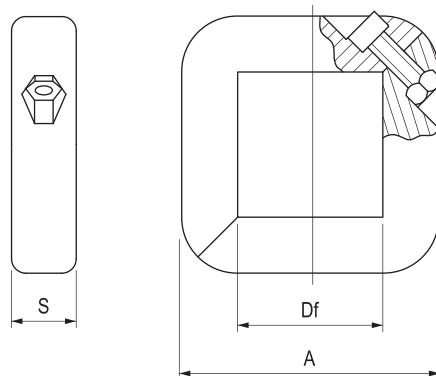


	Bore Size Df		Outside Diameter A		Overall Width S		Part Number	Weight	
	in	mm	in	mm	in	mm		lb	kg
Without Keyway	0.50	1.18	30.0	0.46	11.7	612-655072	0.03	0.01	
	0.62	1.38	35.0	0.46	11.7	612-655092	0.04	0.02	
	0.75	1.57	40.0	0.55	14.0	612-655102	0.05	0.02	
	1.25	1.97	50.0	0.63	16.0	612-608463	0.06	0.03	
	1.50	2.50	63.5	0.71	18.0	612-611283	0.11	0.05	
	40 mm	2.50	63.5	0.71	0.18	612-686232	0.11	0.05	
With Keyway	1	1.77	45.0	0.55	14.0	612-655112	0.05	0.02	
	1.25	1.97	50.0	0.63	16.0	612-655122	0.06	0.03	
	1.44	2.50	63.5	0.71	18.0	612-605043	0.11	0.05	
	1.50	2.50	63.5	0.71	18.0	612-655132	0.11	0.05	

- Material: collar in reinforced polyamide PA FV (black), tightening bolt in austenitic stainless steel
 - Maximum recommended tightening torque: 26 in-lbs (0.3 kg/m)

■ Split Shaft Collar with Square Bore

Part 612



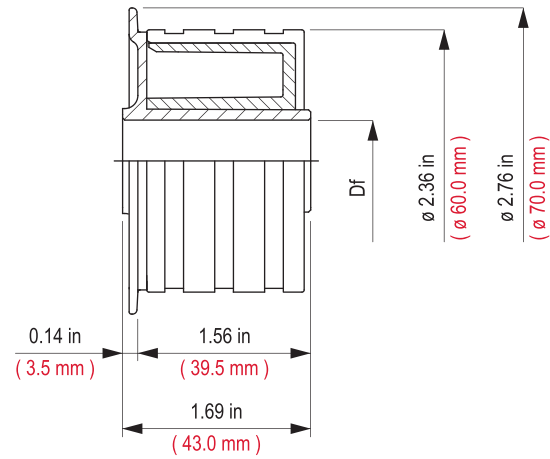
	Bore Size Df		Outside Diameter A		Overall Width S		Part Number	Weight	
	in	mm	in	mm	in	mm		lb	kg
Without Keyway	1.50	2.83	72.0	0.71	18.0	612-692942	0.11	0.05	
With Keyway	2.50	3.74	95.0	0.71	18.0	612-692972	0.12	0.05	

- Material: collar in reinforced polyamide PA FV (black), tightening bolt in austenitic stainless steel
 - Maximum recommended tightening torque: 46 in-lbs (0.5 kg/m)

Part 614



■ Bi-Material Return Rollers with Flange (2.36" Diameter)



- Characteristics: completely closed design, rubber surface for less noise even in high-speed conveyors
- Material: roller in acetal POM (white), surface in thermoplastic rubber (grey), 70 shore hardness, hub in acetal for low-friction

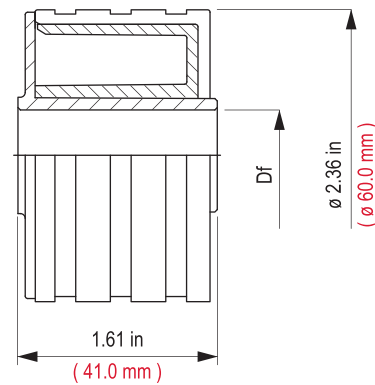
Patent no. US6550609

Shaft Diameter in	Bore Size		Part Number	Weight	
	in	mm		lb	kg
0.50	0.52	13.2	614-632482	0.16	0.07
0.62	0.65	16.5	614-615392	0.16	0.07
0.75	0.77	19.6	614-635152	0.16	0.07

Part 613



■ Bi-Material Return Rollers (2.36" Diameter)



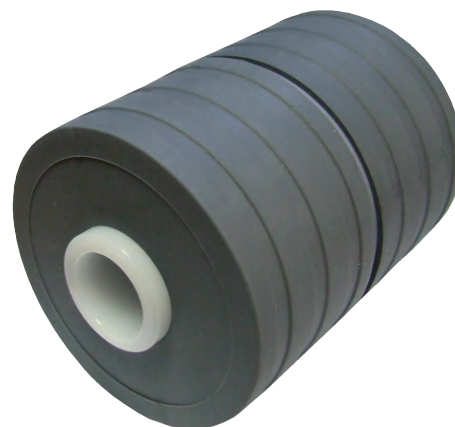
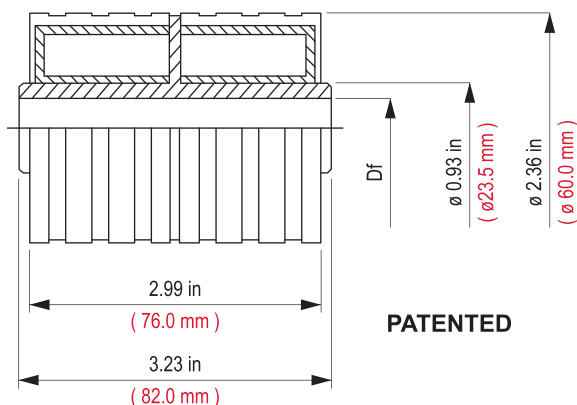
- Characteristics: completely closed design, rubber surface for less noise even in high-speed conveyors
- Material: roller in acetal POM (white), surface in thermoplastic rubber (grey), 70 shore hardness, hub in acetal for low-friction

Patent no. US6550609

Shaft Diameter in	Bore Size		Part Number	Weight	
	in	mm		lb	kg
0.50	0.52	13.2	613-632472	0.15	0.07
0.62	0.65	16.5	613-615352	0.15	0.07
0.75	0.77	19.6	613-635142	0.15	0.07

■ Bi-Material Return Double Roller (2.36" Diameter)

Part 657



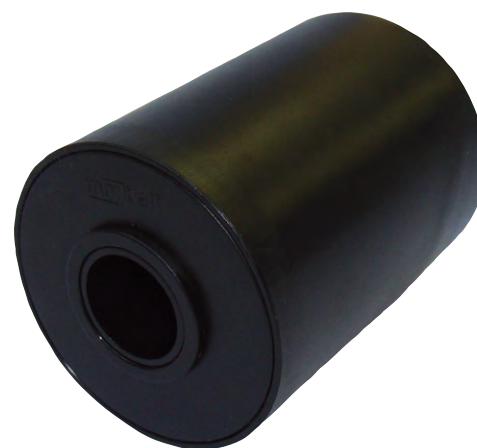
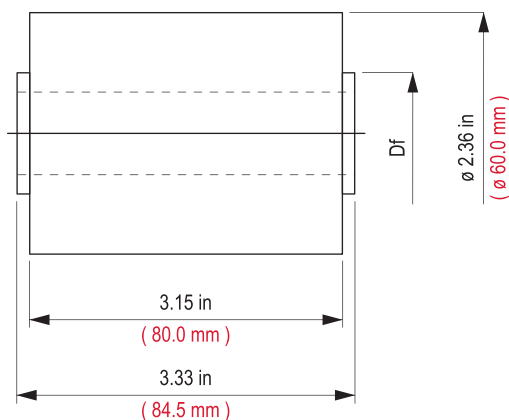
- Characteristics: completely closed design, rubber surface for less noise even in high-speed conveyors
- Material: roller in acetal POM (white), surface in thermoplastic rubber (grey), 70 shore hardness, hub in acetal for low-friction

Shaft Diameter in	Bore Size		Part Number	Weight	
	in	mm		lb	kg
0.50	0.52	13.2	657-656982	0.35	0.16
0.62	0.65	16.5	657-657002	0.35	0.16
0.75	0.77	19.6	657-656692	0.35	0.16

Patent no. US6550609

■ Double Return Roller

Part 758

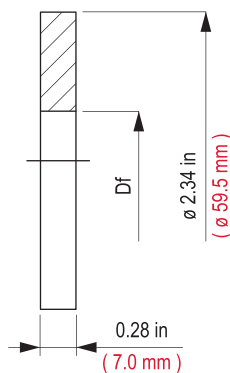


Shaft Diameter in	Bore Size		Part Number	Weight	
	in	mm		lb	kg
0.75	0.77	19.5	758-620743	0.17	0.08

- Characteristics: completely closed design
- Color: polyethylene PE (black)

Part 624

Return Roller Separator

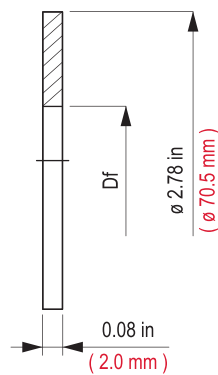


- Material: polyethylene PE (black)

Shaft Diameter in	Bore Size		Part Number	Weight	
	in	mm		lb	kg
0.75	0.80	20.2	624-620783N	0.03	0.02

Part 555

Guide Flange

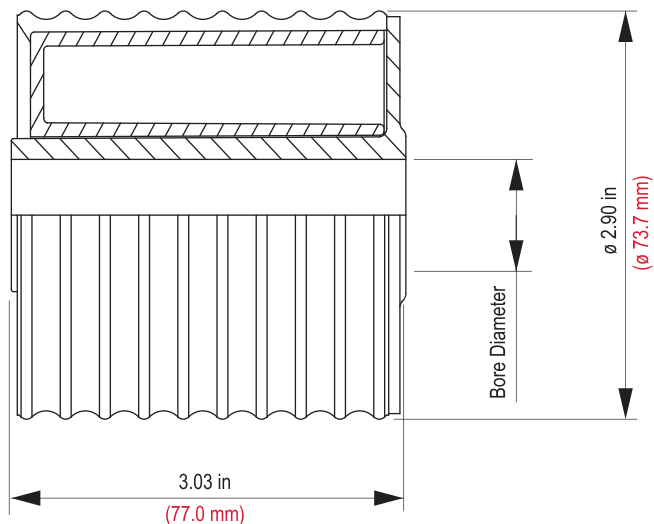


- Material: polyethylene PE (black)

Shaft Diameter in	Bore Size		Part Number	Weight	
	in	mm		lb	kg
0.50	0.51	12.9	555-632702	0.02	0.01
0.75	0.80	20.2	555-695211	0.02	0.01

■ Bi-Material Return Rollers (2.9" Diameter)

Part 906



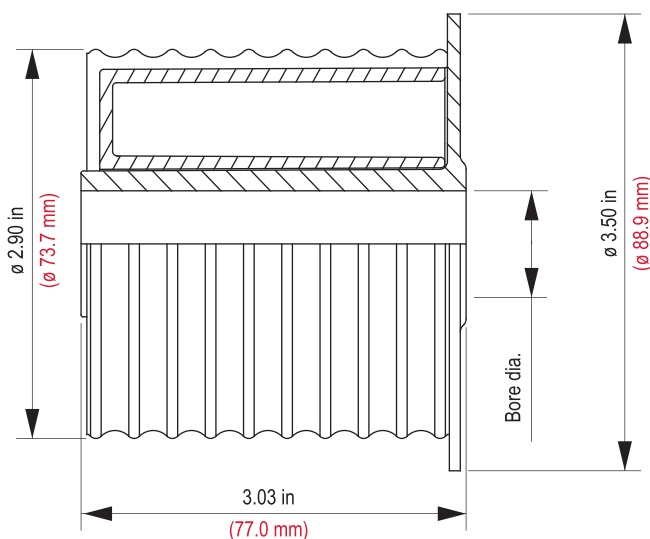
- Characteristics: completely closed design, rubber surface for less noise even in high-speed conveyors
- Material: roller in acetal POM, surface in rubber, 60 Shore hardness, hub in acetal for low-friction

Hub Color	Bore Size		Part Number	Weight	
	in	mm		lb	kg
Tan	0.62	15.9	906-656721	0.4	0.18
Grey	0.75	19.1	906-656731	0.4	0.17

Patent no. US6550609

■ Bi-Material Return Rollers With Flange (2.9" Diameter)

Part 906



- Characteristics: completely closed design, rubber surface for less noise even in high-speed conveyors
- Material: roller in acetal POM, surface in rubber, 60 Shore hardness, hub in acetal for low-friction

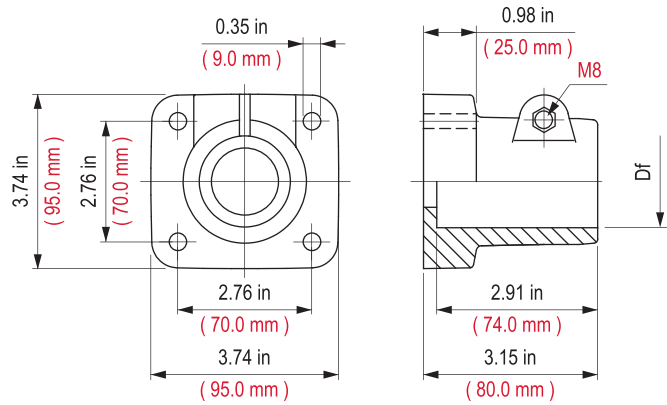
Hub Color	Bore Size		Part Number	Weight	
	in	mm		lb	kg
Tan	0.62	15.9	906-656881	0.4	0.19
Grey	0.75	19.1	906-656891	0.4	0.18

Patent no. US6550609

Part 198



Bearing Head



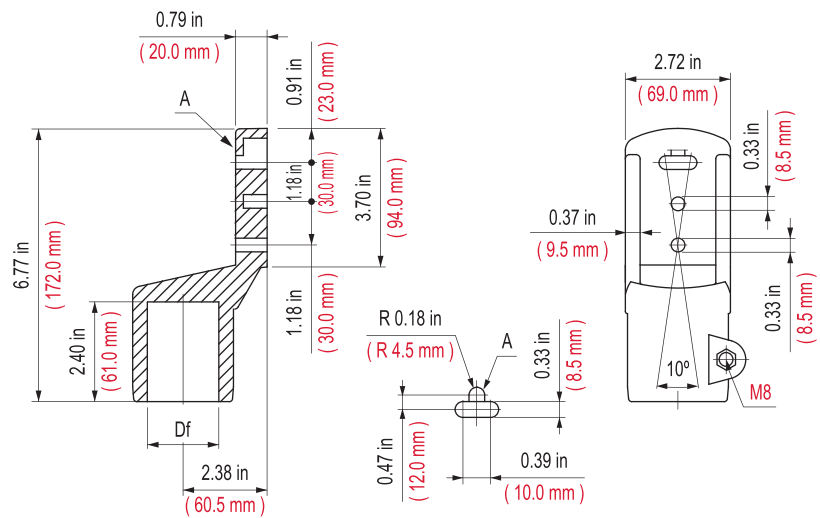
- Material: reinforced polyamide PA FV (black)
- Maximum recommended tightening torque: 175 in-lbs (2 kg/m)

Shaft Diameter Df in	Bore Size Df		Part Number	Weight	
	in	mm		lb	kg
2 (tube)	2.00	50.8	198-664761	0.65	0.30

Part 199



Side Mounting Top Bracket

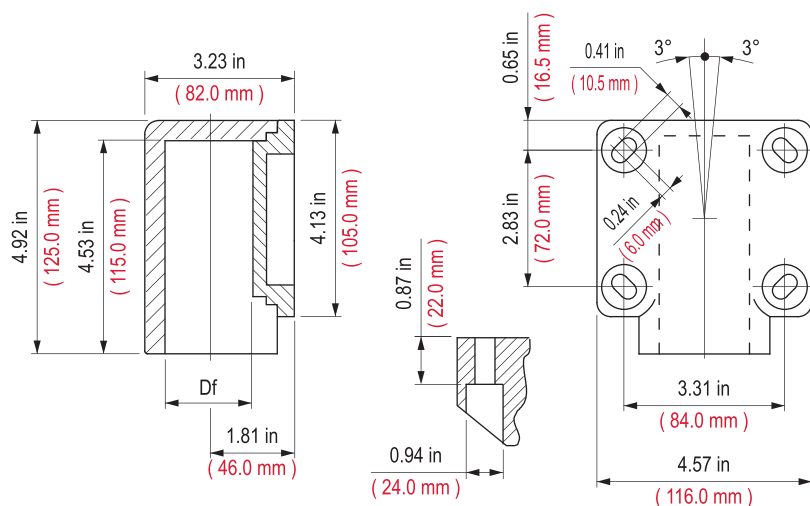


- Material: reinforced polyamide PA FV (black)
- Maximum recommended tightening torque: 175 in-lbs (2 kg/m)

Shaft Diameter Df in	Bore Size Df		Part Number	Weight	
	in	mm		lb	kg
2 (tube)	2.00	50.8	199-664771	0.70	0.32

■ Side Mounting Top Bracket

Part 168

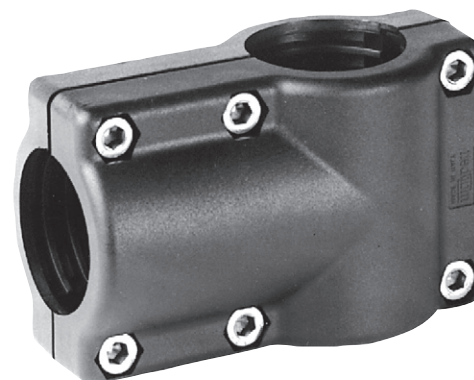
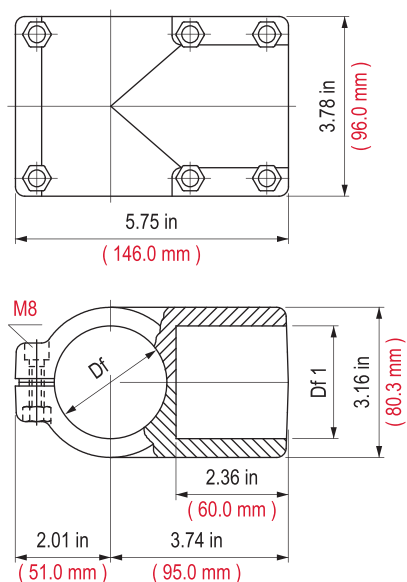


Tube or Pipe Size in	Bore Size		Part Number	Approximate Weight	
	in	mm		lb	kg
1.50 (pipe)	1.90	48.3	168-50451	0.4	0.19

- Material: reinforced polyamide PA FV (black)
- Maximum recommended tightening torque: 215 in-lbs (2.5 kg/m)

■ Connecting Joint

Part 563



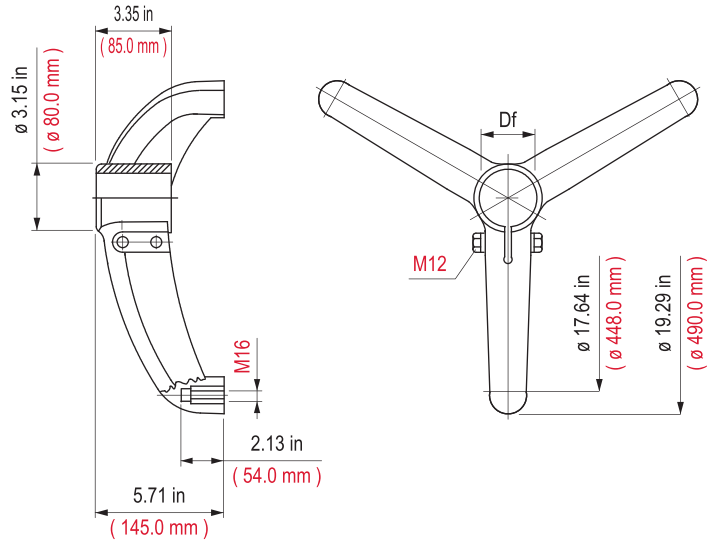
Vertical Tube or Pipe Size in	Vertical Bore Size		Horizontal Tube or Pipe Size in	Horizontal Bore Size		Part Number	Approximate Weight	
	in	mm		in	mm		lb	kg
2 (tube)	2.00	50.8	2 (tube)	2.00	50.8	563-669512	1.10	0.50

- Material: joint in reinforced polyamide PA FV (black), tightening screws in austenitic stainless steel, nuts in nickel plated brass
- Maximum recommended tightening torque: 130 in-lbs (1.5 kg/m)

Part 615



Support Base (Tripod)



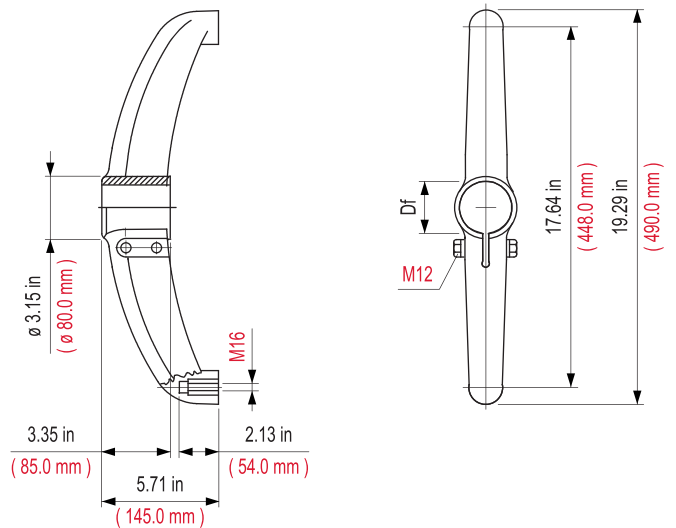
- Material: support base in reinforced polyamide PA FV (black), brass threaded bushings
- Maximum recommended tightening torque: 310 in-lbs (3.6 kg/m)

Tube or Pipe Size in	Bore Size		Part Number	Weight	
	in	mm		lb	kg
2 (tube)	2.00	50.8	615-624272	3.19	1.45

Part 618



Support Base (Bipod)

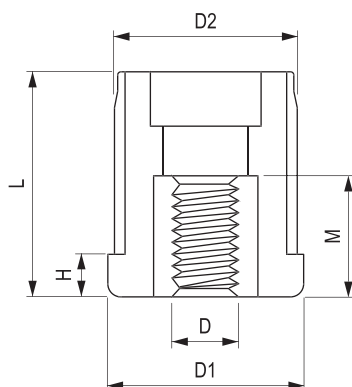


- Material: support base in reinforced polyamide PA FV (black), brass threaded bushings
- Maximum recommended tightening torque: 310 in-lbs (3.6 kg/m)

Tube or Pipe Size in	Bore Size		Part Number	Weight	
	in	mm		lb	kg
2 (tube)	2.00	50.8	618-624312	2.30	1.05

■ Threaded Tube Ends for Round Tubes

Part 180

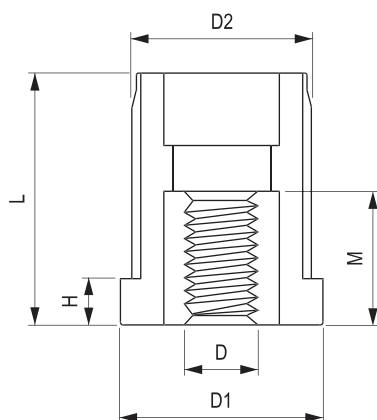


Tube or Pipe Size in	Tube Size		Threaded Size	Part Number	Max Static Load		Weight			
	in	mm			in	mm	lb	N	lb	kg
2 (tube)	2.00	50.8	1.72	43.7	3/4-10	180-655741	1800	8000	0.50	0.23
2 (tube)	2.00	50.8	1.87	47.5	5/8-11	180-59221	1125	5000	0.50	0.23
2 (tube)	2.00	50.8	1.87	47.5	M16	180-668191	1125	5000	0.50	0.23

- Material: bushing in reinforced polyamid PA FV (black), threaded insert in nickel plated brass
 - Fmax = maximum applicable load in static conditions

■ Threaded Tube Ends for Square Tubes

Part 224

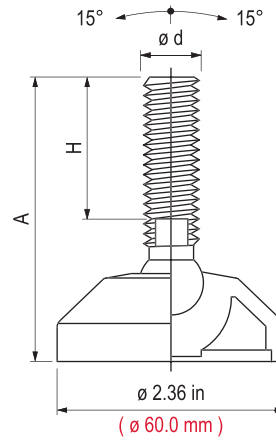


Tube or Pipe Size in	Tube Size		Threaded Size	Part Number	Max Static Load		Weight			
	in	mm			in	mm	lb	N	lb	kg
2 (tube)	2.00	50.8	1.80	45.7	3/4-10	224-59241	1800	8000	0.50	0.23
2 (tube)	2.00	50.8	1.80	45.7	5/8-11	224-59261	1125	5000	0.50	0.23

- Material: bushing in reinforced polyamid PA FV (black), threaded insert in nickel plated brass
 - Fmax = maximum applicable load in static conditions

Part 98

■ Leveler

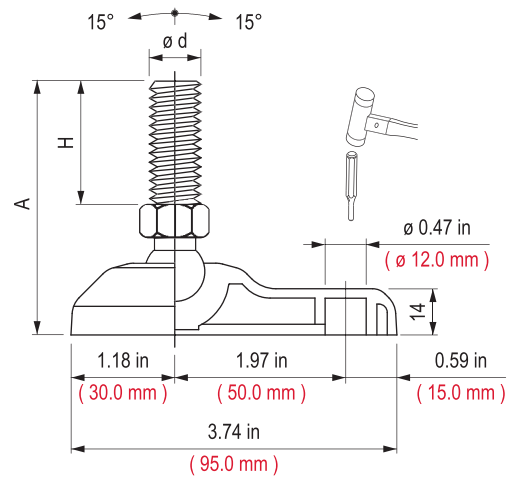


- Material: footplate in reinforced polyamide PA FV (black)

Thread Size	Spindle Type	Spindle Material	Overall Height A		Thread Height H		Part Number	Weight	
			in	mm	in	mm		lb	kg
M16	1a	SS	4.53	115.0	3.19	81.0	98-626022	0.46	0.21

Part 94

■ Teardrop Leveler

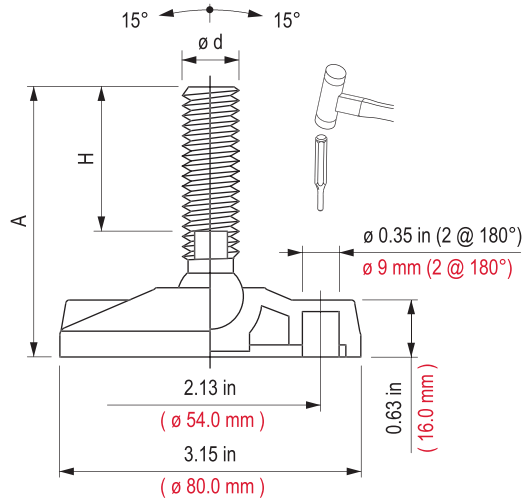


- Material: footplate in reinforced polyamide PA FV (black),
Anti-Slip pad also available Part Number: 0-662911

Thread Size	Spindle Type	Spindle Material	Overall Height A		Thread Height H		Part Number	Weight	
			in	mm	in	mm		lb	kg
3/4-10	6b	SS	7.70	195.6	5.91	150.1	94-655081	1.30	0.59
3/4-10	6b	SS	10.70	271.8	9.02	229.1	94-655121	1.50	0.68

■ Leveler

Part 323

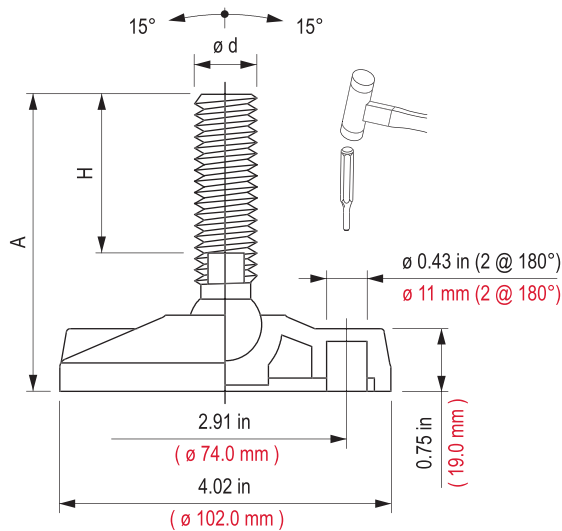


Thread Size	Spindle Type	Spindle Material	Overall Height A		Thread Height H		Part Number	Weight	
			in	mm	in	mm		lb	kg
3/4-10	1a	Zinc Plated	6.89	175.0	5.67	144.0	323-650161	1.00	0.45

- Material: footplate in reinforced polyamide PA FV (black), Anti-Slip pad also available Part Number: 0-630042

■ Leveler

Part 133



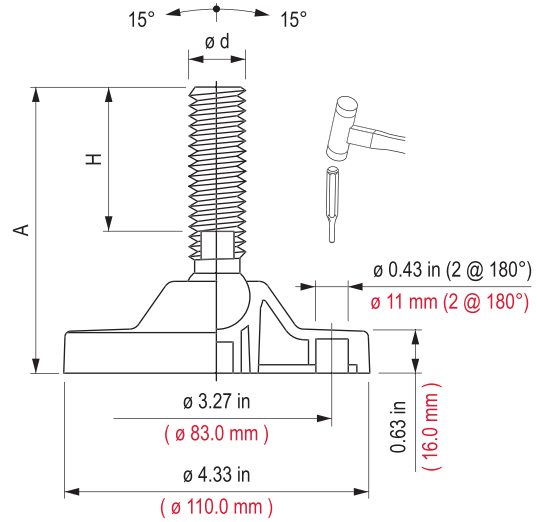
Thread Size	Spindle Type	Spindle Material	Overall Height A		Thread Height H		Part Number	Weight	
			in	mm	in	mm		lb	kg
3/4-10	6b	SS	7.72	196.1	7.33	186.2	133-636882	1.00	0.45
3/4-10	6	SS	10.72	272.3	9.02	229.1	133-64795	1.20	0.55
5/8-11	6	SS	7.72	196.1	5.91	150.1	133-67972	0.32	0.15
3/4-10	6	SS	7.72	196.1	5.91	150.1	133-67982	1.00	0.45
M16	6	SS	4.53	115.0	3.19	81.0	133-633212	0.50	0.23
M20	1a	SS	9.65	245.0	8.19	208.0	133-627103	1.65	0.75
M20	1a	SS	7.28	185.0	5.87	149.0	133-633252	0.97	0.44

- Material: footplate in reinforced polyamide PA FV (black), Anti-Slip pad also available Part Number: 0-630052

Part 479



■ Leveler



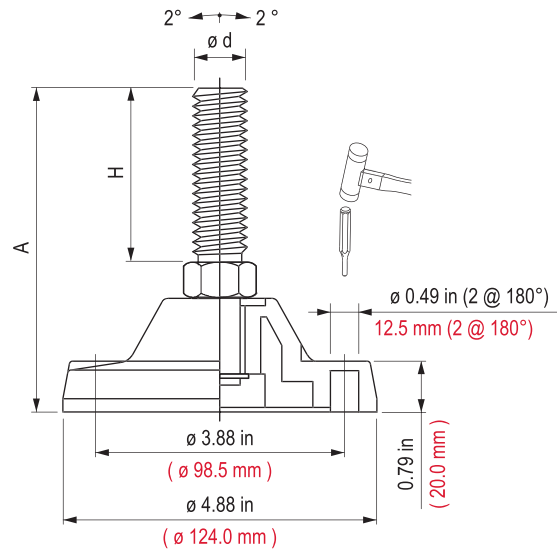
- Material: footplate in reinforced polyamide PA FV (black),
Anti-Slip pad also available Part Number: 0-662901

Thread Size	Spindle Type	Spindle Material	Overall Height A		Thread Height H		Part Number	Weight	
			in	mm	in	mm		lb	kg
5/8-11	6	SS	8.18	207.8	5.90	149.9	479-653131	1.20	0.55
3/4-10	6	SS	11.19	284.2	9.02	229.1	479-653691	1.50	0.68

Part 169



■ Leveler

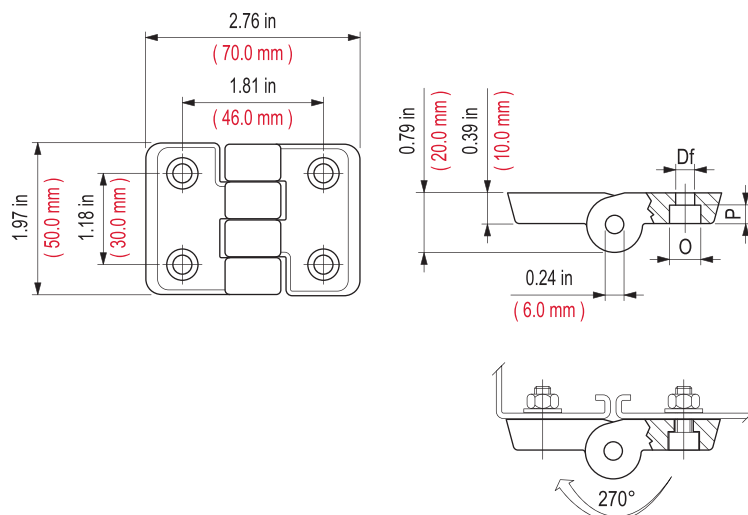


- Material: footplate in reinforced polyamide PA FV (black),
Anti-Slip pad also available Part Number: 0-696171

Thread Size	Spindle Type	Spindle Material	Overall Height A		Thread Height H		Part Number	Weight	
			in	mm	in	mm		lb	kg
1-8	21	SS	7.60	193.0	5.44	138.2	169-651741	1.70	0.77

■ Hinge

Part 337

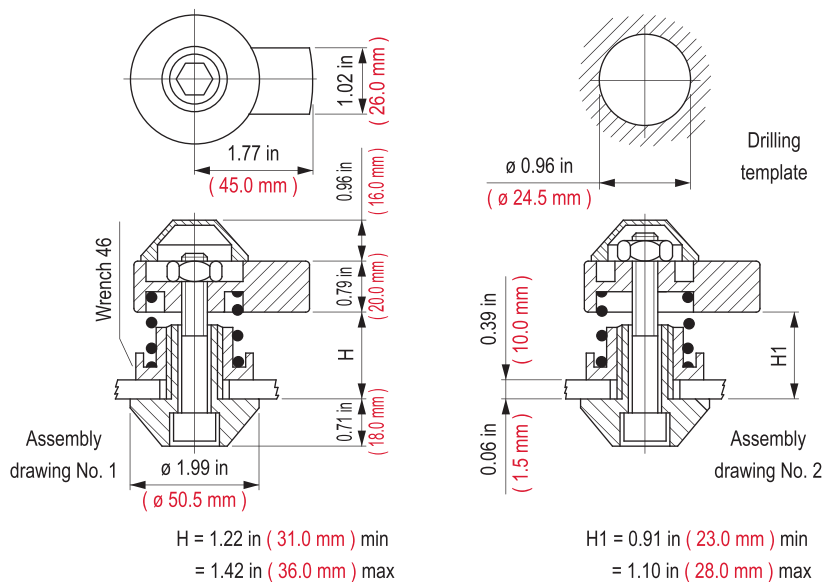


Df		O		P		Part Number	Weight	
in	mm	in	mm	in	mm		lb	kg
0.26	6.5	0.41	10.5	0.24	6.0	337-67023N	0.12	0.05

- Material: hinge in reinforced polyamide PA FV (black), pin ferritic stainless steel
- Maximum recommended tightening torque: 43 in-lbs (0.5 kg/m)

■ Lock

Part 272



Part Number	Weight	
	lb	kg
272-66771	0.44	0.20

- Material: body in reinforced polyamide PA FV (black), bolts, nuts and spring in austenitic stainless steel
- Use: closure of doors in machines used in the food industry (washing, bottling, etc)
- Operation with hexagonal bar (10 mm)
- Key turn: 360° right or left

Part Number	Page	Part Number	Page	Part Number	Page	Part Number	Page
0-607863	44	261-65681	2	568-603402	33	732-692372N	25
0-640463	44	272-66771	57	568-605912	33	754-607653	39
0-655821	3	274-66801	10	568-687402	33	754-607653-1	39
0-655861	3	302-60852	28	568-699022	33	754-607653-10	39
0-656061	30	302-60862	28	569-603412	33	754-607653-11	39
107-68200N	20	302-60952	28	569-605922	33	754-607653-12	39
114-2308-1	13	302-60962	28	569-687392	33	754-607653-13	39
114-2308-2	13	303-60872	28	569-699012	33	754-607653-14	39
114-398-1	17	303-60912	28	570-601162N	35	754-607653-15	39
114-399-1	17	303-60922	28	580-603302	34	754-607653-16	39
114-671-1	18	303-60932	28	580-611772	34	754-607653-17	39
114-672-1	18	303-60942	28	581-603312	37	754-607653-18	39
114-673-1	19	323-650161	55	599-613572	20	754-607653-19	39
114-674-1	19	337-67023N	57	612-605043	45	754-607653-2	39
128-62890	36	346-60204	16	612-608463	45	754-607653-20	39
133-627103	55	367-655712M	14	612-611283	45	754-607653-3	39
133-633212	55	369-69995	16	612-655072	45	754-607653-4	39
133-633252	55	371-61056	15	612-655092	45	754-607653-5	39
133-636882	55	479-653131	56	612-655102	45	754-607653-6	39
133-64795	55	479-653691	56	612-655112	45	754-607653-7	39
133-652271	55	514-145-1	5	612-655132	45	754-607653-8	39
133-67972	55	514-146-1	4	612-686232	45	754-607653-9	39
133-67982	55	514-147-1	7	612-692942	45	754-607672-12	41
168-50451	51	514-148-1	7	612-692972	45	754-607672-17	41
169-651741	56	514-158-1	4	613-615352	46	754-607672-2	41
174-646481	26	514-175-1	8	613-615392	46	754-607672-7	41
174-654661	26	514-176-1	8	613-632472	46	754-607673	41
174-655991	26	514-209-1	6	613-632482	46	754-607673-1	41
174-671861	26	514-210-1	6	613-635142	46	754-607673-10	41
180-59221	53	514-213-1	5	613-635152	46	754-607673-11	41
180-655741	53	514-215-1	7	615-624272	52	754-607673-12	41
180-668191	53	514-217-1	4	618-624312	52	754-607673-13	41
182-54911	24	514-220-1	6	621-635542	15	754-607673-14	41
185-683902	24	514-221-1	6	624-620783N	48	754-607673-15	41
192-674032	23	514-235-1	9	632-647142	21	754-607673-16	41
198-664761	50	514-236-1	9	637-648372	21	754-607673-17	41
199-664771	50	518-642951N	27	637-648392	21	754-607673-18	41
210-59941	12	537-689231	35	655-673132N	27	754-607673-19	41
210-59941	12	550-689491	14	655-673142N	27	754-607673-20	41
210-654671	12	555-632702	48	657-656692	47	754-607673-2	41
210-654681	12	555-695211	48	657-656982	47	754-607673-3	41
210-654791	12	557-695991N	34	657-657002	47	754-607673-4	41
217-695131	10	563-669512	51	672-675582	32	754-607673-5	41
224-59241	53	567-687382	32	672-687412	32	754-607673-6	41
224-59261	53	567-688792	32	672-687432	32	754-607673-7	41
255-685281	22	567-688812	32	672-699032	32	754-607673-8	41
256-64561	22	567-688822	32	732-692352N	25	754-607673-9	41
256-64581	22	567-699002	32	732-692362N	25	754-657011	41

Part Number	Page	Part Number	Page	Part Number	Page	Part Number	Page
754-657011-1	41	756-607733-15	38	756-657031-20	40	905-656241	31
754-657011-10	41	756-607733-16	38	756-657031-3	40	905-656421	31
754-657011-11	41	756-607733-17	38	756-657031-4	40	905-656481	31
754-657011-12	41	756-607733-18	38	756-657031-5	40	905-656501	31
754-657011-13	41	756-607733-19	38	756-657031-6	40	905-656511	31
754-657011-14	41	756-607733-2	38	756-657031-7	40	905-656521	31
754-657011-15	41	756-607733-20	38	756-657031-8	40	905-656541	31
754-657011-16	41	756-607733-3	38	756-657031-9	40	905-656751	30
754-657011-17	41	756-607733-4	38	756-657041	38	905-656771	30
754-657011-18	41	756-607733-5	38	756-657041-1	38	905-656781	30
754-657011-19	41	756-607733-6	38	756-657041-10	38	905-656791	30
754-657011-2	41	756-607733-7	38	756-657041-11	38	905-656811	30
754-657011-20	41	756-607733-8	38	756-657041-12	38	906-656721	49
754-657011-3	41	756-607733-9	38	756-657041-13	38	906-656731	49
754-657011-4	41	756-607753	40	756-657041-14	38	906-656881	49
754-657011-5	41	756-607753-1	40	756-657041-15	38	906-656891	49
754-657011-6	41	756-607753-10	40	756-657041-16	38	94-655081	54
754-657011-7	41	756-607753-11	40	756-657041-17	38	94-655121	54
754-657011-8	41	756-607753-12	40	756-657041-18	38	98-626022	54
754-657011-9	41	756-607753-13	40	756-657041-19	38		
754-657021	39	756-607753-14	40	756-657041-2	38		
754-657021-1	39	756-607753-15	40	756-657041-20	38		
754-657021-10	39	756-607753-16	40	756-657041-3	38		
754-657021-11	39	756-607753-17	40	756-657041-4	38		
754-657021-12	39	756-607753-18	40	756-657041-5	38		
754-657021-13	39	756-607753-19	40	756-657041-6	38		
754-657021-14	39	756-607753-2	40	756-657041-7	38		
754-657021-15	39	756-607753-20	40	756-657041-8	38		
754-657021-16	39	756-607753-3	40	756-657041-9	38		
754-657021-17	39	756-607753-4	40	758-620743	47		
754-657021-18	39	756-607753-5	40	759-613413	42		
754-657021-19	39	756-607753-6	40	759-613423	43		
754-657021-2	39	756-607753-7	40	760-613433	42		
754-657021-20	39	756-607753-8	40	760-613443	43		
754-657021-3	39	756-607753-9	40	763-610633	25		
754-657021-4	39	756-657031	40	769-609163N	5		
754-657021-5	39	756-657031-1	40	825-632033	2		
754-657021-6	39	756-657031-10	40	902-652041	11		
754-657021-7	39	756-657031-11	40	902-656041	11		
754-657021-8	39	756-657031-12	40	903-654101	11		
754-657021-9	39	756-657031-13	40	903-654111	11		
756-607733	38	756-657031-14	40	903-654741	11		
756-607733-1	38	756-657031-15	40	903-654751	11		
756-607733-10	38	756-657031-16	40	903-656001	11		
756-607733-11	38	756-657031-17	40	905-655711	29		
756-607733-12	38	756-657031-18	40	905-655721	29		
756-607733-13	38	756-657031-19	40	905-655731	29		
756-607733-14	38	756-657031-2	40	905-656231	31		

Why Choose Rexnord?

When it comes to providing highly engineered products that improve productivity and efficiency for industrial applications worldwide, Rexnord is the most reliable in the industry. Commitment to customer satisfaction and superior value extend across every business function.

Delivering Lowest Total Cost of Ownership

The highest quality products are designed to help prevent equipment downtime and increase productivity and dependable operation.

Valuable Expertise

An extensive product offering is accompanied by global sales specialists, customer service and maintenance support teams, available anytime.

Solutions to Enhance Ease of Doing Business

Commitment to operational excellence ensures the right products at the right place at the right time.

Rexnord Corporation

Rexnord is a growth-oriented, multi-platform industrial company with leading market shares and highly trusted brands that serve a diverse array of global end markets.

Process and Motion Control

The Rexnord Process and Motion Control platform designs, manufactures, markets and services specified, highly engineered mechanical components used within complex systems where our customers' reliability requirements and the cost of failure or downtime are extremely high.

Water Management

The Rexnord Water Management platform designs, procures, manufactures and markets products that provide and enhance water quality, safety, flow control and conservation.



Rex® **FALK** **Link-Belt**® **marbett**® **MCC** **BERG** **highfield** **Stearns**®