







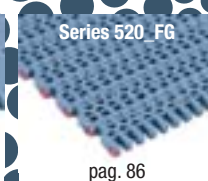



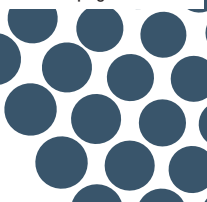





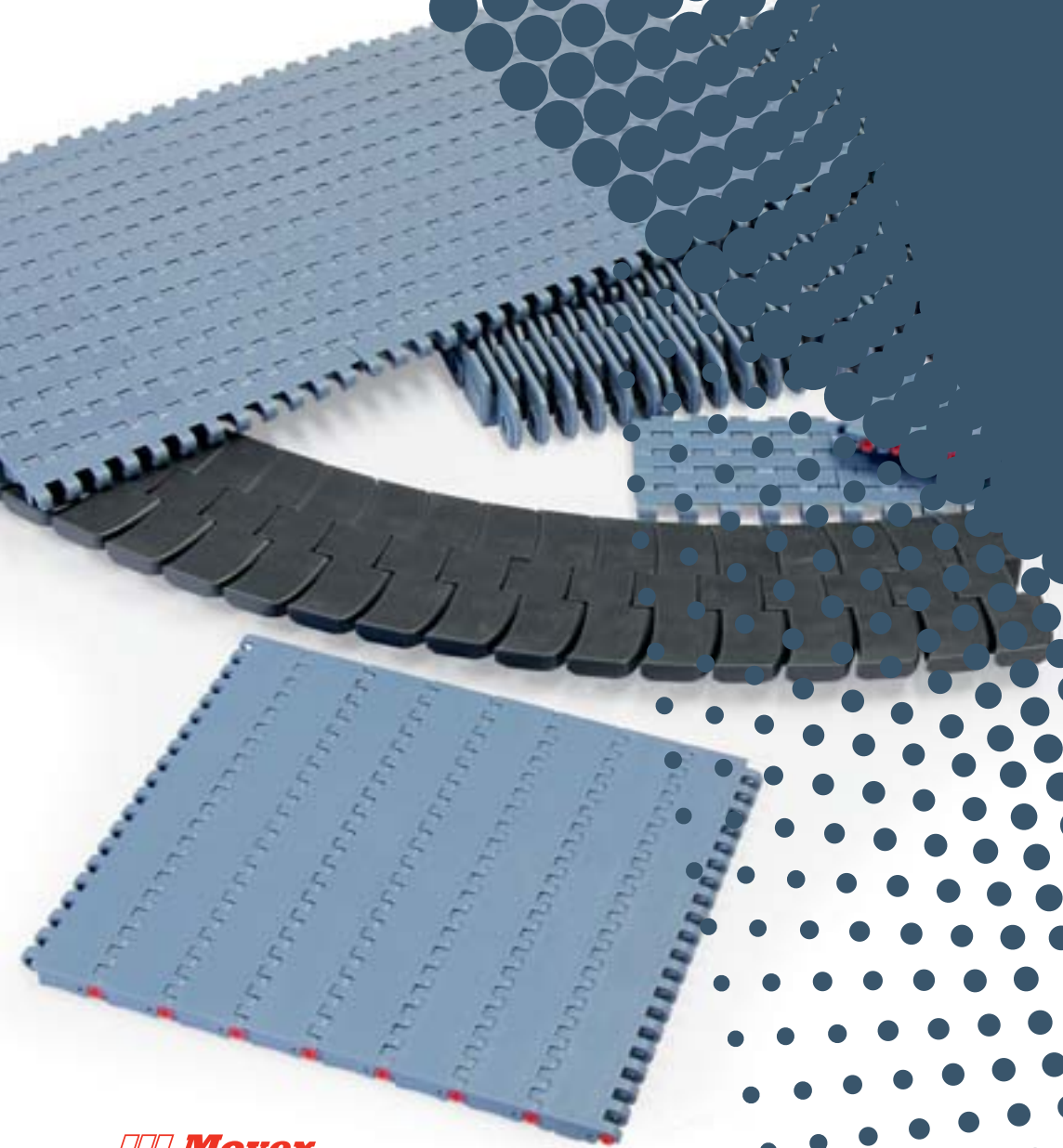


**2013**  
*september*

***Movex***

 <p>Series 520 pag. 78</p>	 <p>Series 520_FG pag. 79</p>	 <p>Series 520_GT pag. 80</p>	 <p>Series 520_LBP pag. 81</p>	 <p>Series 521 pag. 82</p>	 <p>Series 521 pag. 83</p>
 <p>Series 590 pag. 84</p>	 <p>Series 550 pag. 85</p>	 <p>Series 520_FG pag. 86</p>	 <p>Series 551 pag. 87</p>	 <p>Series 551_GT pag. 88</p>	 <p>Series 551_LBP pag. 89</p>
 <p>Series 600 pag. 90</p>	 <p>Series 500RR pag. 91</p>	 <p>Series 260 M pag. 91</p>	 <p>Series 260 M pag. 92</p>	 <p>Series 260 TAB pag. 92</p>	 <p>Series 260 TAB pag. 92</p>

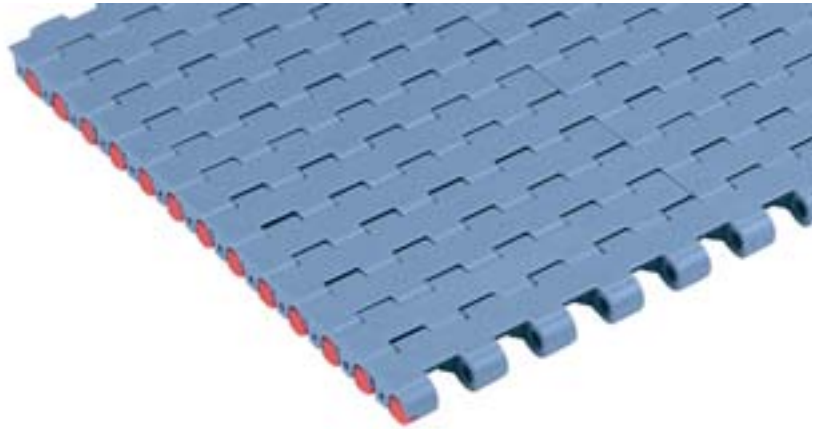




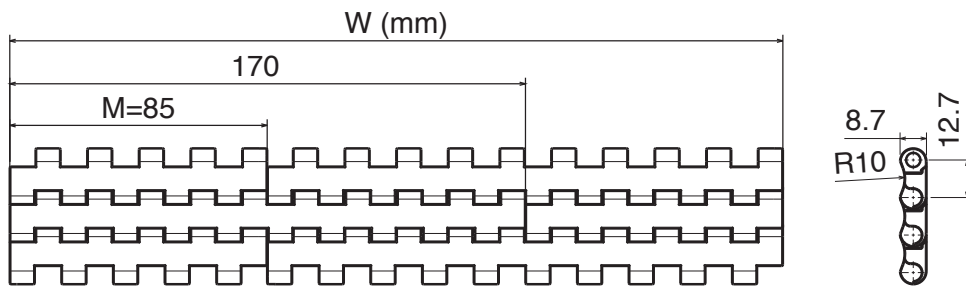
Tappeto Modulare 520 FT, H=8,7 M=85 / Modular Belt Series 520 FT, H=8,7 M=85 / Modulare Mattenkette 520 FT, H=8,7 M=85

Series	Material	Width	Version
5201	*	0085	A
5201	*	0170	A
5201	*	0255	A
5201	*	0340	A
5201	*	0425	A
5201	*	0510	A
5201	*	0595	A
5201	*	0680	A
5201	*	0765	A

Series	Material	Width	Version
5201	*	0850	A
5201	*	0935	A
5201	*	1020	A
5201	*	1105	A
5201	*	1190	A
5201	*	1275	A
5201	*	1360	A
5201	*	1445	A
5201	*	1530	A



VERSION A - STANDARD



\* Material

**01 LFA - Acetal Resin**



Max working load: 21500 N/m  
Weight: 7,8 kg/m  
Temperature range:  
dry -40÷80 °C  
wet -40÷65 °C  
Pin material: PBT white

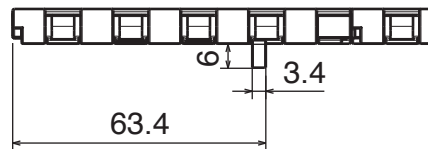
**03 MX - PBT**



Max working load: 17500 N/m  
Weight: 7,5 kg/m  
Temperature range:  
dry -40÷120 °C  
wet -40÷60 °C  
Pin material: POM grey

Also available, on request,  
other materials and widths

VERSION B - WITH 1 POSITIONER



VERSION C - WITH 2 POSITIONERS



Series	Material	Width	Version
5201	*	0085	B
5201	*	0170	B
5201	*	0255	B
5201	*	0340	B
5201	*	0425	B
5201	*	0510	B
5201	*	0595	B
5201	*	0680	B
5201	*	0765	B

Series	Material	Width	Version
5201	*	0850	B
5201	*	0935	B
5201	*	1020	B
5201	*	1105	B
5201	*	1190	B
5201	*	1275	B
5201	*	1360	B
5201	*	1445	B
5201	*	1530	B

Series	Material	Width	Version
5201	*	0085	C
5201	*	0170	C
5201	*	0255	C
5201	*	0340	C
5201	*	0425	C
5201	*	0510	C
5201	*	0595	C
5201	*	0680	C
5201	*	0765	C

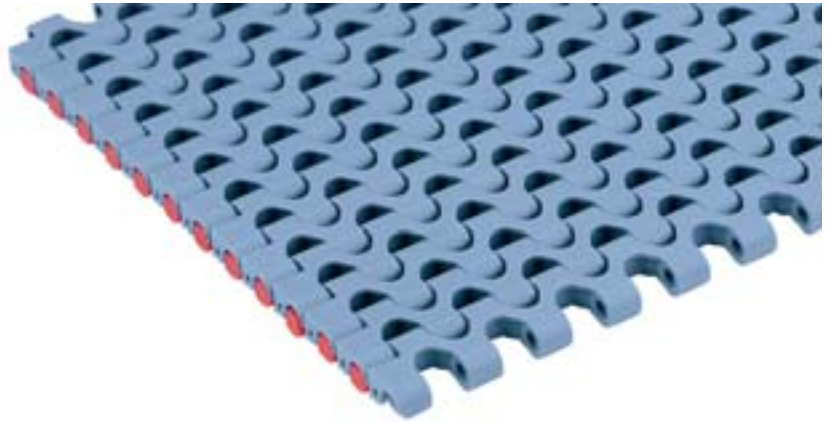
Series	Material	Width	Version
5201	*	0850	C
5201	*	0935	C
5201	*	1020	C
5201	*	1105	C
5201	*	1190	C
5201	*	1275	C
5201	*	1360	C
5201	*	1445	C
5201	*	1530	C



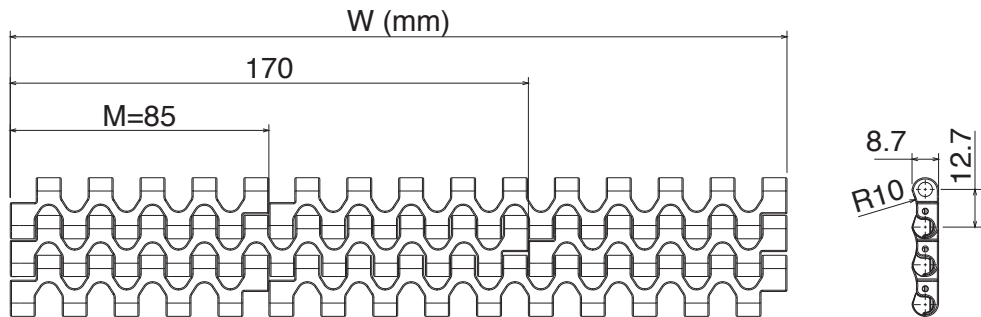
Tappeto Modulare 520 FG, H=8,7 M=85 / Modular Belt Series 520 FG, H=8,7 M=85 / Modulare Mattenkette 520 FG, H=8,7 M=85

Series	Material	Width	Version
5202	*	0085	A
5202	*	0170	A
5202	*	0255	A
5202	*	0340	A
5202	*	0425	A
5202	*	0510	A
5202	*	0595	A
5202	*	0680	A
5202	*	0765	A

Series	Material	Width	Version
5202	*	0850	A
5202	*	0935	A
5202	*	1020	A
5202	*	1105	A
5202	*	1190	A
5202	*	1275	A
5202	*	1360	A
5202	*	1445	A
5202	*	1530	A




VERSION A - STANDARD




**\* Material**

**01 LFA - Acetal Resin**



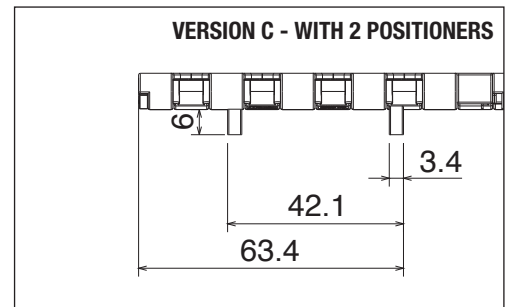
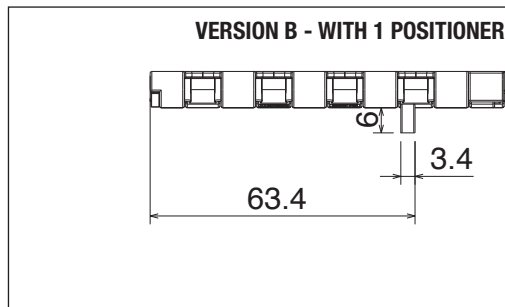
Max working load: 21500 N/m  
Weight: 7,5 kg/m  
Temperature range:  
dry -40÷80 °C  
wet -40÷65 °C  
Pin material: PBT white

**03 MX - PBT**



Max working load: 17500 N/m  
Weight: 7,2 kg/m  
Temperature range:  
dry -40÷120 °C  
wet -40÷60 °C  
Pin material: POM grey

*Also available, on request, other materials and widths*



Series	Material	Width	Version
5202	*	0085	B
5202	*	0170	B
5202	*	0255	B
5202	*	0340	B
5202	*	0425	B
5202	*	0510	B
5202	*	0595	B
5202	*	0680	B
5202	*	0765	B

Series	Material	Width	Version
5202	*	0850	B
5202	*	0935	B
5202	*	1020	B
5202	*	1105	B
5202	*	1190	B
5202	*	1275	B
5202	*	1360	B
5202	*	1445	B
5202	*	1530	B

Series	Material	Width	Version
5202	*	0085	C
5202	*	0170	C
5202	*	0255	C
5202	*	0340	C
5202	*	0425	C
5202	*	0510	C
5202	*	0595	C
5202	*	0680	C
5202	*	0765	C

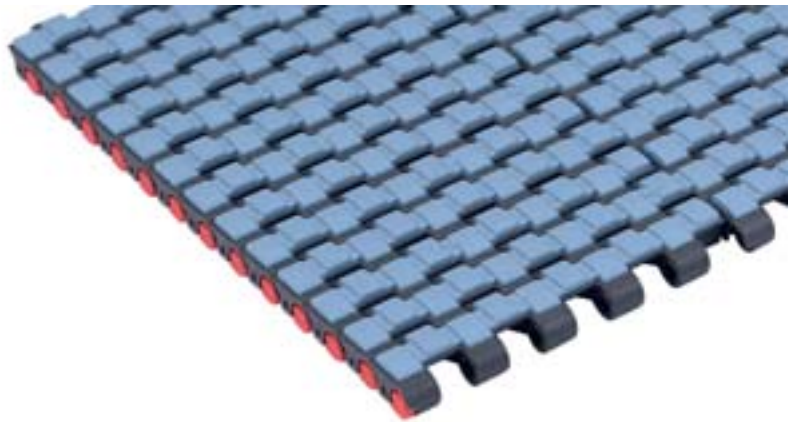
Series	Material	Width	Version
5202	*	0850	C
5202	*	0935	C
5202	*	1020	C
5202	*	1105	C
5202	*	1190	C
5202	*	1275	C
5202	*	1360	C
5202	*	1445	C
5202	*	1530	C



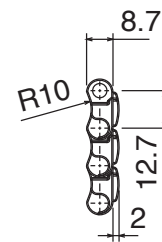
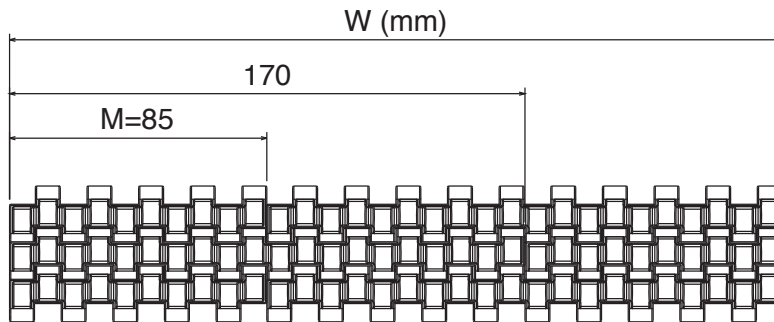
Tappeto Modulare 520 GT, H=8,7 M=85 / Modular Belt Series 520 GT, H=8,7 M=85 / Modulare Mattenkette 520 GT, H=8,7 M=85

Series	Material	Width	Version
5203	*	0085	A
5203	*	0170	A
5203	*	0255	A
5203	*	0340	A
5203	*	0425	A
5203	*	0510	A
5203	*	0595	A
5203	*	0680	A
5203	*	0765	A

Series	Material	Width	Version
5203	*	0850	A
5203	*	0935	A
5203	*	1020	A
5203	*	1105	A
5203	*	1190	A
5203	*	1275	A
5203	*	1360	A
5203	*	1445	A
5203	*	1530	A



VERSION A - STANDARD



\* Material

**01 LFA - Acetal Resin**



Max working load: 21500 N/m  
Weight: 9,0 kg/m  
Temp. range: dry -40÷80 °C  
wet -40÷65 °C  
Pin material: PBT white  
Hardness: 75 ShA

**02 PP - Polypropylene**



Max working load: 13000 N/m  
Weight: 7,5 kg/m  
Temp. range: dry 4÷80 °C  
wet 4÷65 °C  
Pin material: PP blu  
Hardness: 75 ShA

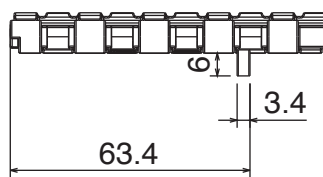
**03 MX - PBT**



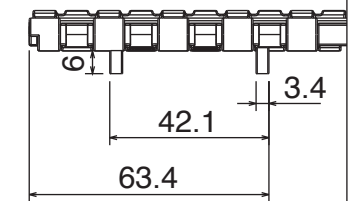
Max working load: 17500 N/m  
Weight: 9,3 kg/m  
Temp. range: dry -40÷120 °C  
wet -40÷60 °C  
Pin material: POM grey  
Hardness: 75 ShA

Also available, on request,  
other materials and widths

VERSION B - WITH 1 POSITIONER



VERSION C - WITH 2 POSITIONERS



Series	Material	Width	Version
5203	*	0085	B
5203	*	0170	B
5203	*	0255	B
5203	*	0340	B
5203	*	0425	B
5203	*	0510	B
5203	*	0595	B
5203	*	0680	B
5203	*	0765	B

Series	Material	Width	Version
5203	*	0850	B
5203	*	0935	B
5203	*	1020	B
5203	*	1105	B
5203	*	1190	B
5203	*	1275	B
5203	*	1360	B
5203	*	1445	B
5203	*	1530	B

Series	Material	Width	Version
5203	*	0085	C
5203	*	0170	C
5203	*	0255	C
5203	*	0340	C
5203	*	0425	C
5203	*	0510	C
5203	*	0595	C
5203	*	0680	C
5203	*	0765	C

Series	Material	Width	Version
5203	*	0850	C
5203	*	0935	C
5203	*	1020	C
5203	*	1105	C
5203	*	1190	C
5203	*	1275	C
5203	*	1360	C
5203	*	1445	C
5203	*	1530	C

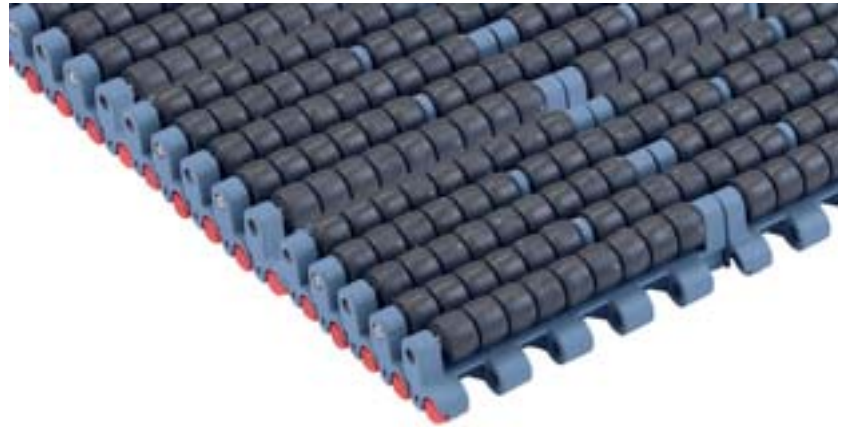




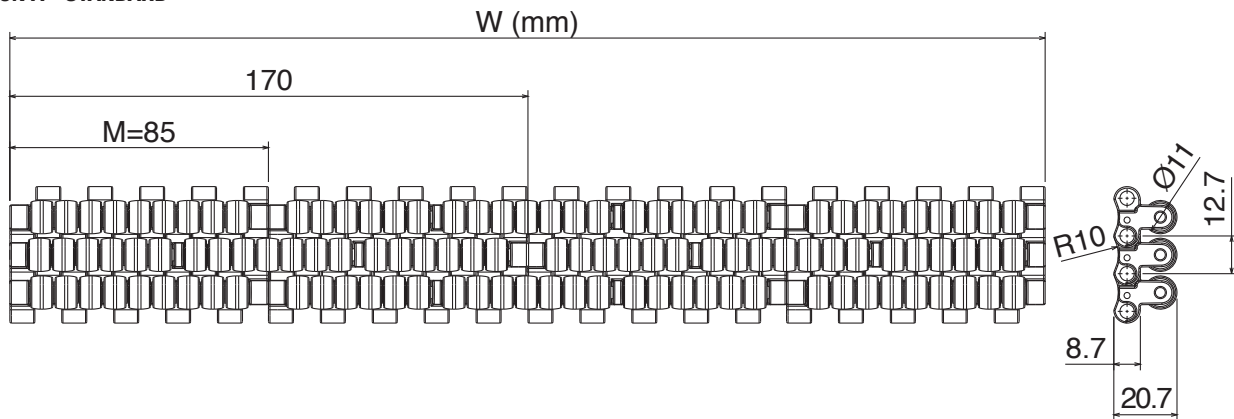
Tappeto Modulare 520 LBP, H=8,7 M=85 / Modular Belt Series 520 LBP, H=8,7 M=85 / Modulare Mattenkette 520 LBP, H=8,7 M=85

Series	Material	Width	Version
5204	*	0085	A
5204	*	0170	A
5204	*	0255	A
5204	*	0340	A
5204	*	0425	A
5204	*	0510	A
5204	*	0595	A
5204	*	0680	A
5204	*	0765	A

Series	Material	Width	Version
5204	*	0850	A
5204	*	0935	A
5204	*	1020	A
5204	*	1105	A
5204	*	1190	A
5204	*	1275	A
5204	*	1360	A
5204	*	1445	A
5204	*	1530	A



VERSION A - STANDARD



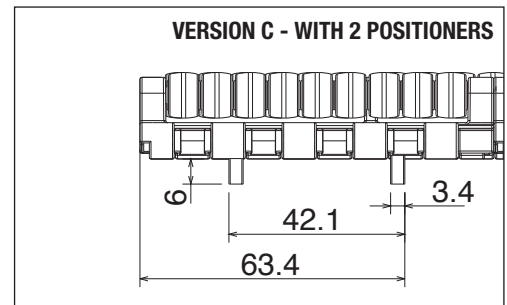
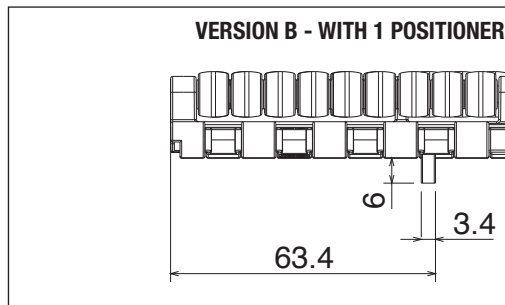
**\* Material**

**01 LFA - Acetal Resin**



Max working load: 21500 N/m  
Weight: 24,0 kg/m  
Temperature range:  
dry -40÷80 °C  
wet 1÷65 °C  
Pin material: PBT white

*Also available, on request, other materials and widths*



Series	Material	Width	Version
5204	*	0085	B
5204	*	0170	B
5204	*	0255	B
5204	*	0340	B
5204	*	0425	B
5204	*	0510	B
5204	*	0595	B
5204	*	0680	B
5204	*	0765	B

Series	Material	Width	Version
5204	*	0850	B
5204	*	0935	B
5204	*	1020	B
5204	*	1105	B
5204	*	1190	B
5204	*	1275	B
5204	*	1360	B
5204	*	1445	B
5204	*	1530	B

Series	Material	Width	Version
5204	*	0085	C
5204	*	0170	C
5204	*	0255	C
5204	*	0340	C
5204	*	0425	C
5204	*	0510	C
5204	*	0595	C
5204	*	0680	C
5204	*	0765	C

Series	Material	Width	Version
5204	*	0850	C
5204	*	0935	C
5204	*	1020	C
5204	*	1105	C
5204	*	1190	C
5204	*	1275	C
5204	*	1360	C
5204	*	1445	C
5204	*	1530	C



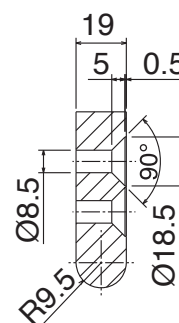
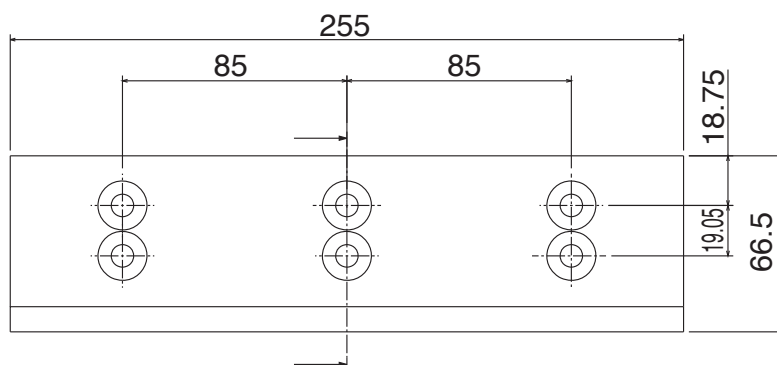
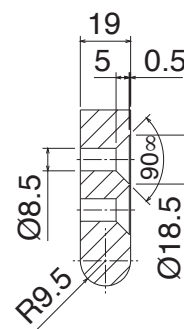
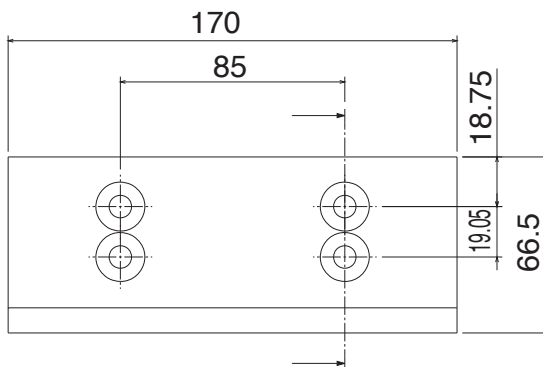
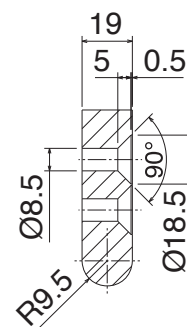
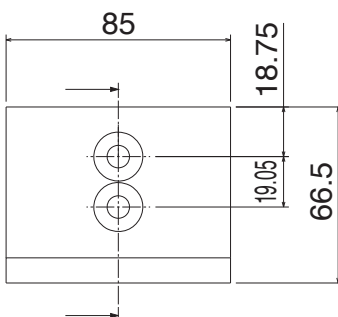
Materiale:	Material:	Materialien:
UHMW-PE	UHMW-PE	UHMW-PE

Piatto di trasferimento / Transfer Plate / Überschubplatte



**New**

Part	Article-Nr.	L
228	22801	85
228	22802	170
228	22803	255



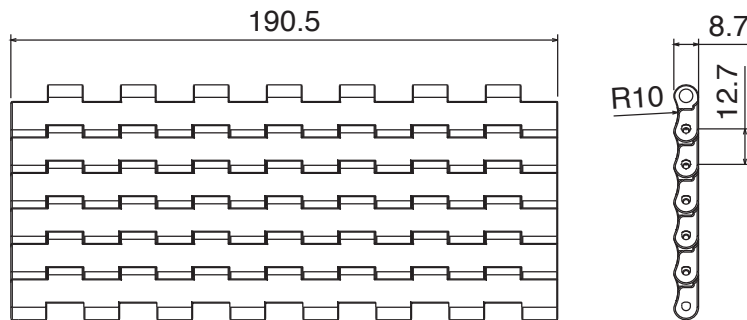


Tappeto Modulare 521 FT, H=8,7 M=750 / Modular Belt Series 521 FT, H=8,7 M=750 / Modulare Mattenkette 521 FT, H=8,7 M=750

Series	Material	Width	Version
5311	*	9750	A



VERSION A - STANDARD



\* Material

**01 LFA - Acetal Resin**



**Max working load:** 21500 N/m  
**Weight:** 8,0 kg/m  
**Temperature range:**  
 dry -40÷80 °C  
 wet -40÷65 °C  
**Pin material:** PBT white

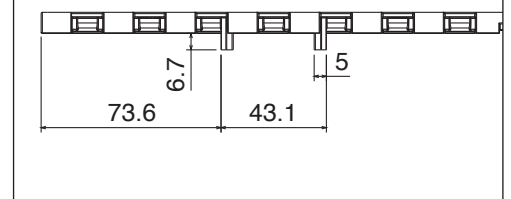
**03 MX - PBT**



**Max working load:** 17500 N/m  
**Weight:** 7,8 kg/m  
**Temperature range:**  
 dry -40÷120 °C  
 wet -40÷60 °C  
**Pin material:** POM grey

Also available, on request,  
other materials and widths

VERSION C - WITH 2 POSITIONERS



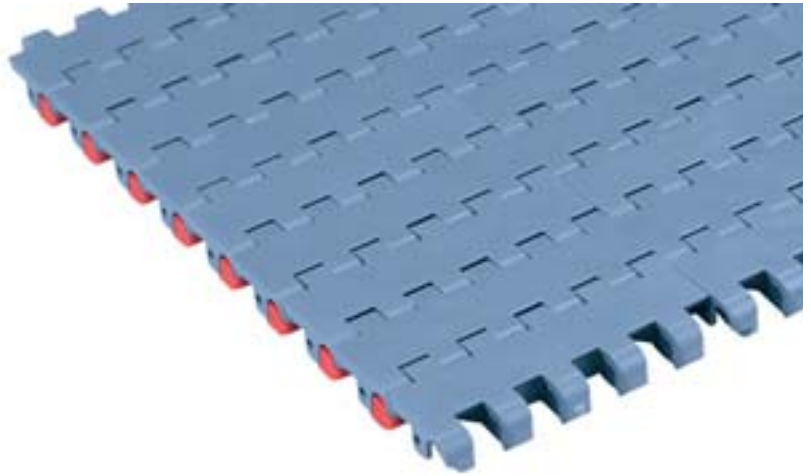
Series	Material	Width	Version
5311	*	9750	C



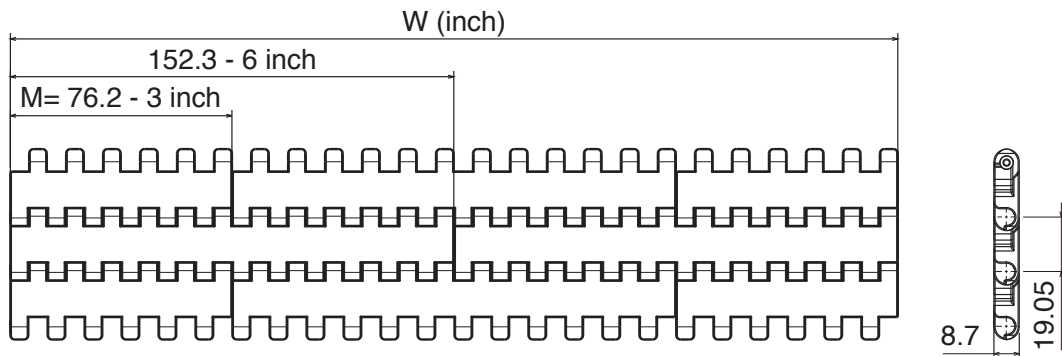


Tappeto Modulare 590 FT, H=8,7 M=3" / Modular Belt Series 590 FT, H=8,7 M=3" / Modulare Mattenkette 590 FT, H=8,7 M=3"

Series	Material	Width	Version	Series	Material	Width	Version
5301	*	0003	A	5301	*	0030	A
5301	*	0006	A	5301	*	0033	A
5301	*	0009	A	5301	*	0036	A
5301	*	0012	A	5301	*	0039	A
5301	*	0015	A	5301	*	0042	A
5301	*	0018	A	5301	*	0045	A
5301	*	0021	A	5301	*	0048	A
5301	*	0024	A	5301	*	0051	A
5301	*	0027	A	5301	*	0054	A



VERSION A - STANDARD



\* Material

**01 LFA - Acetal Resin**



Max working load: 30000 N/m  
Weight: 7,2 kg/m  
Temperature range:  
dry -40÷80 °C  
wet -40÷65 °C  
Pin material: PBT white

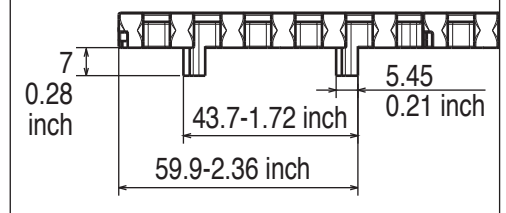
**03 MX - PBT**



Max working load: 24000 N/m  
Weight: 7,0 kg/m  
Temperature range:  
dry -40÷120 °C  
wet -40÷60 °C  
Pin material: POM grey

Also available, on request,  
other materials and widths

VERSION C - WITH 2 POSITIONER



Series	Material	Width	Version
5301	*	0003	C
5301	*	0006	C
5301	*	0009	C
5301	*	0012	C
5301	*	0015	C
5301	*	0018	C
5301	*	0021	C
5301	*	0024	C
5301	*	0027	C

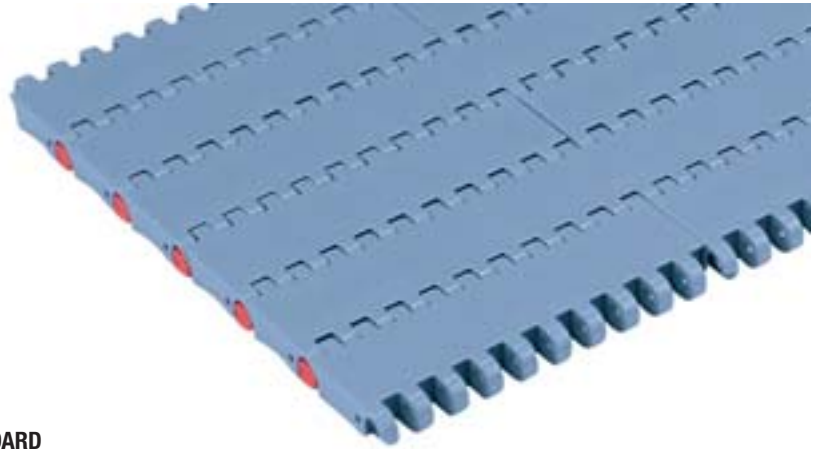
Series	Material	Width	Version
5301	*	0030	C
5301	*	0033	C
5301	*	0036	C
5301	*	0039	C
5301	*	0042	C
5301	*	0045	C
5301	*	0048	C
5301	*	0051	C
5301	*	0054	C



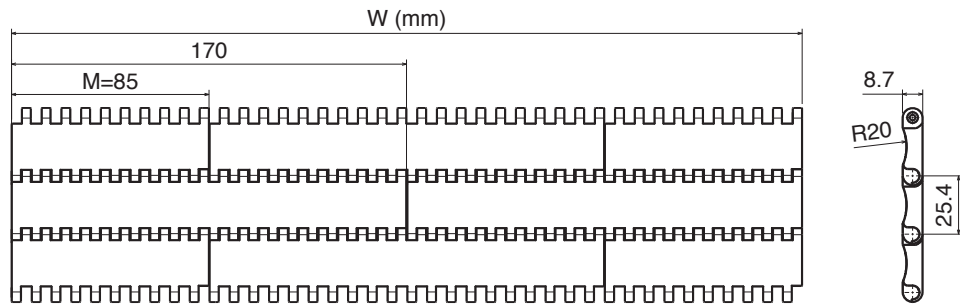
Tappeto Modulare 550 FT, H=8,7 M=85 / Modular Belt Series 550 FT, H=8,7 M=85 / Modulare Mattenkette 550 FT, H=8,7 M=85

Series	Material	Width	Version
5221	*	0085	A
5221	*	0170	A
5221	*	0255	A
5221	*	0340	A
5221	*	0425	A
5221	*	0510	A
5221	*	0595	A
5221	*	0680	A
5221	*	0765	A

Series	Material	Width	Version
5221	*	0850	A
5221	*	0935	A
5221	*	1020	A
5221	*	1105	A
5221	*	1190	A
5221	*	1275	A
5221	*	1360	A
5221	*	1445	A
5221	*	1530	A



VERSION A - STANDARD



One Track Belt - K330

Series	Material	Width	Version
5221	*	9330	A
5221	*	9330	C

\* Material

01 LFA - Acetal Resin



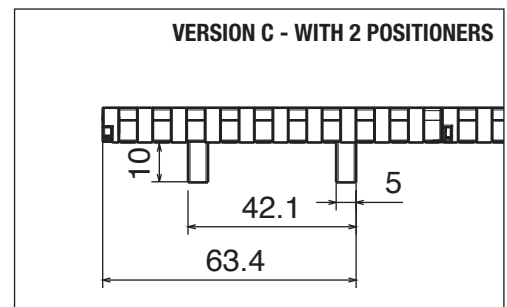
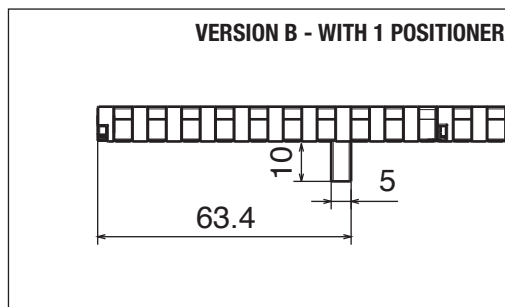
Max working load: 27500 N/m  
Weight: 8,5 kg/m  
Temperature range:  
dry -40÷80 °C  
wet -40÷65 °C  
Pin material: PBT white

03 MX - PBT



Max working load: 22000 N/m  
Weight: 8,2 kg/m  
Temperature range:  
dry -40÷120 °C  
wet -40÷60 °C  
Pin material: POM grey

Also available, on request,  
other materials and widths



Series	Material	Width	Version
5221	*	0085	B
5221	*	0170	B
5221	*	0255	B
5221	*	0340	B
5221	*	0425	B
5221	*	0510	B
5221	*	0595	B
5221	*	0680	B
5221	*	0765	B

Series	Material	Width	Version
5221	*	0850	B
5221	*	0935	B
5221	*	1020	B
5221	*	1105	B
5221	*	1190	B
5221	*	1275	B
5221	*	1360	B
5221	*	1445	B
5221	*	1530	B

Series	Material	Width	Version
5221	*	0085	C
5221	*	0170	C
5221	*	0255	C
5221	*	0340	C
5221	*	0425	C
5221	*	0510	C
5221	*	0595	C
5221	*	0680	C
5221	*	0765	C

Series	Material	Width	Version
5221	*	0850	C
5221	*	0935	C
5221	*	1020	C
5221	*	1105	C
5221	*	1190	C
5221	*	1275	C
5221	*	1360	C
5221	*	1445	C
5221	*	1530	C

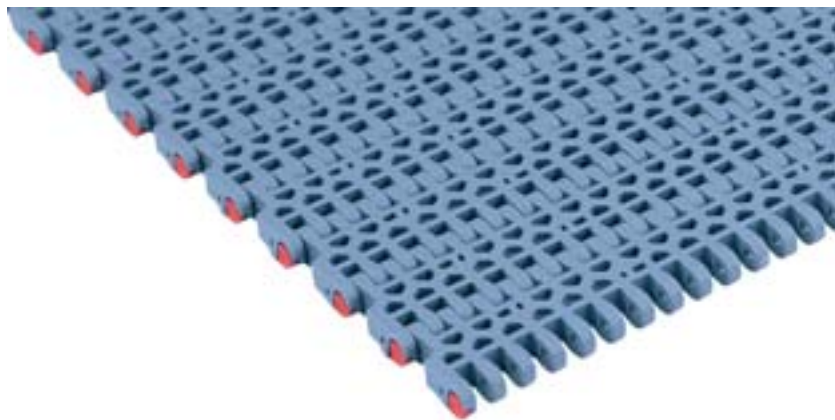




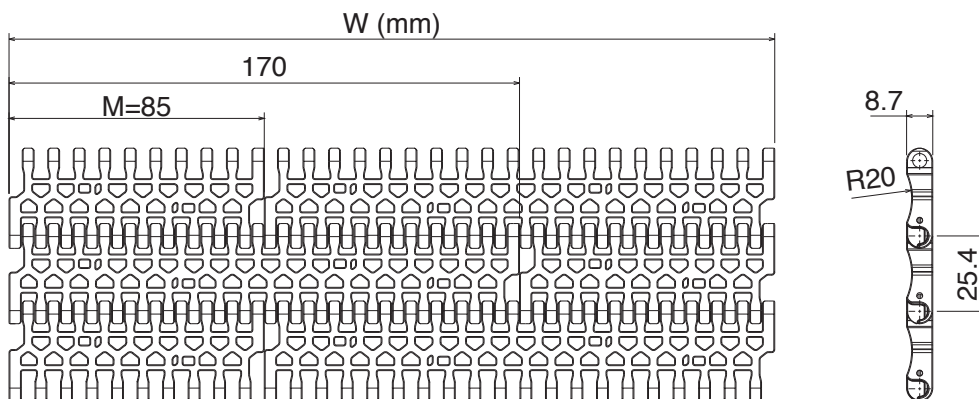
Tappeto Modulare 550 FG, H=8,7 M=85 / Modular Belt Series 550 FG, H=8,7 M=85 / Modulare Mattenkette 550 FG, H=8,7 M=85

Series	Material	Width	Version
5222	*	0085	A
5222	*	0170	A
5222	*	0255	A
5222	*	0340	A
5222	*	0425	A
5222	*	0510	A
5222	*	0595	A
5222	*	0680	A
5222	*	0765	A

Series	Material	Width	Version
5222	*	0850	A
5222	*	0935	A
5222	*	1020	A
5222	*	1105	A
5222	*	1190	A
5222	*	1275	A
5222	*	1360	A
5222	*	1445	A
5222	*	1530	A



VERSION A - STANDARD



\* Material

**01 LFA - Acetal Resin**



Max working load: 27500 N/m  
Weight: 7,0 kg/m  
Temperature range:  
dry -40÷80 °C  
wet -40÷65 °C  
Pin material: PBT white

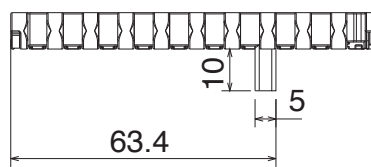
**03 MX - PBT**



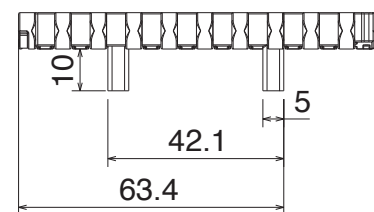
Max working load: 22000 N/m  
Weight: 6,7 kg/m  
Temperature range:  
dry -40÷120 °C  
wet -40÷60 °C  
Pin material: POM grey

Also available, on request,  
other materials and widths

VERSION B - WITH 1 POSITIONER



VERSION C - WITH 2 POSITIONERS



Series	Material	Width	Version
5222	*	0085	B
5222	*	0170	B
5222	*	0255	B
5222	*	0340	B
5222	*	0425	B
5222	*	0510	B
5222	*	0595	B
5222	*	0680	B
5222	*	0765	B

Series	Material	Width	Version
5222	*	0850	B
5222	*	0935	B
5222	*	1020	B
5222	*	1105	B
5222	*	1190	B
5222	*	1275	B
5222	*	1360	B
5222	*	1445	B
5222	*	1530	B

Series	Material	Width	Version
5222	*	0085	C
5222	*	0170	C
5222	*	0255	C
5222	*	0340	C
5222	*	0425	C
5222	*	0510	C
5222	*	0595	C
5222	*	0680	C
5222	*	0765	C

Series	Material	Width	Version
5222	*	0850	C
5222	*	0935	C
5222	*	1020	C
5222	*	1105	C
5222	*	1190	C
5222	*	1275	C
5222	*	1360	C
5222	*	1445	C
5222	*	1530	C



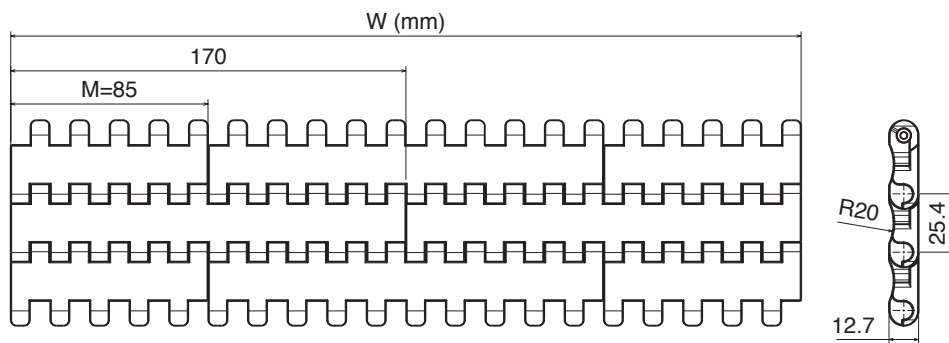
Tappeto Modulare 551 FT, H=12,7 M=85 / Modular Belt Series 551 FT, H=12,7 M=85 / Modulare Mattenkette 551 FT, H=12,7 M=85

Series	Material	Width	Version
5231	*	0085	A
5231	*	0170	A
5231	*	0255	A
5231	*	0340	A
5231	*	0425	A
5231	*	0510	A
5231	*	0595	A
5231	*	0680	A
5231	*	0765	A

Series	Material	Width	Version
5231	*	0850	A
5231	*	0935	A
5231	*	1020	A
5231	*	1105	A
5231	*	1190	A
5231	*	1275	A
5231	*	1360	A
5231	*	1445	A
5231	*	1530	A



VERSION A - STANDARD



\* Material

**01 LFA - Acetal Resin**



Max working load: 41500 N/m  
Weight: 12,5 kg/m  
Temperature range:  
dry -40÷80 °C  
wet 0÷65 °C  
Pin material: PBT white

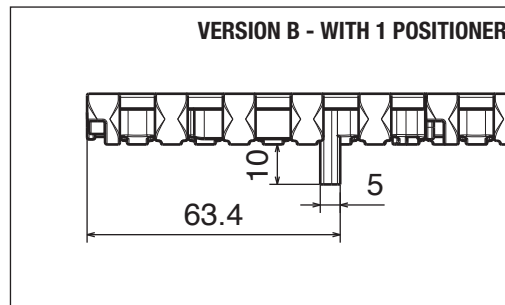
**03 MX - PBT**



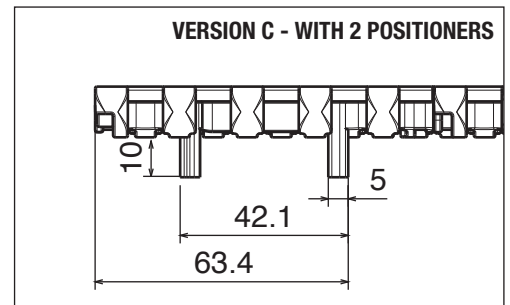
Max working load: 33500 N/m  
Weight: 12,0 kg/m  
Temperature range:  
dry -40÷120 °C  
wet -40÷60 °C  
Pin material: POM grey

Also available, on request,  
other materials and widths

VERSION B - WITH 1 POSITIONER



VERSION C - WITH 2 POSITIONERS



Series	Material	Width	Version
5231	*	0085	B
5231	*	0170	B
5231	*	0255	B
5231	*	0340	B
5231	*	0425	B
5231	*	0510	B
5231	*	0595	B
5231	*	0680	B
5231	*	0765	B

Series	Material	Width	Version
5231	*	0850	B
5231	*	0935	B
5231	*	1020	B
5231	*	1105	B
5231	*	1190	B
5231	*	1275	B
5231	*	1360	B
5231	*	1445	B
5231	*	1530	B

Series	Material	Width	Version
5231	*	0085	C
5231	*	0170	C
5231	*	0255	C
5231	*	0340	C
5231	*	0425	C
5231	*	0510	C
5231	*	0595	C
5231	*	0680	C
5231	*	0765	C

Series	Material	Width	Version
5231	*	0850	C
5231	*	0935	C
5231	*	1020	C
5231	*	1105	C
5231	*	1190	C
5231	*	1275	C
5231	*	1360	C
5231	*	1445	C
5231	*	1530	C

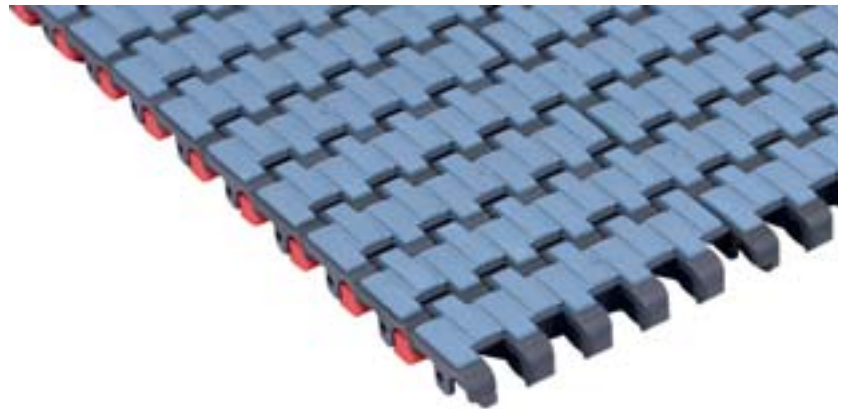




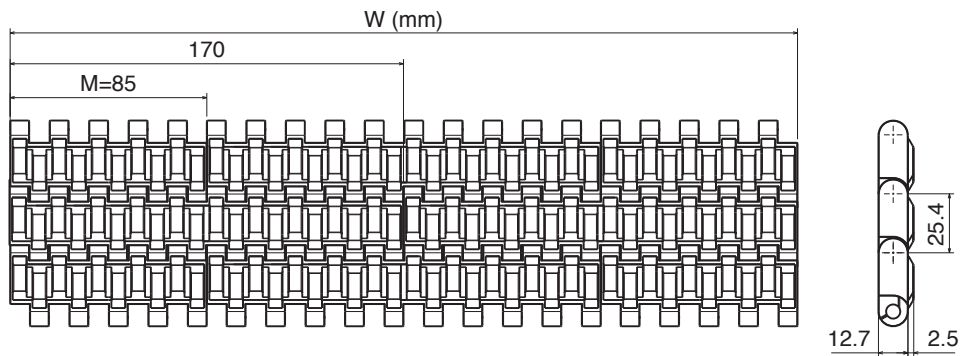
Tappeto Modulare 551 GT, H=12,7 M=85 / Modular Belt Series 551 GT, H=12,7 M=85 / Modulare Mattenkette 551 GT, H=12,7 M=85

Series	Material	Width	Version
5233	*	0085	A
5233	*	0170	A
5233	*	0255	A
5233	*	0340	A
5233	*	0425	A
5233	*	0510	A
5233	*	0595	A
5233	*	0680	A
5233	*	0765	A

Series	Material	Width	Version
5233	*	0850	A
5233	*	0935	A
5233	*	1020	A
5233	*	1105	A
5233	*	1190	A
5233	*	1275	A
5233	*	1360	A
5233	*	1445	A
5233	*	1530	A



VERSION A - STANDARD



\* Material

**01 LFA - Acetal Resin**



Max working load: 41500 N/m  
Weight: 13,5 kg/m  
Temp. range: dry -40÷80 °C  
wet -40÷65 °C  
Pin material: PBT white  
Hardness: 75 ShA

**02 PP - Polypropylene**



Max working load: 27000 N/m  
Weight: 11,00 kg/m  
Temp. range: dry 4÷65 °C  
wet 4÷65 °C  
Pin material: PP blu  
Hardness: 75 ShA

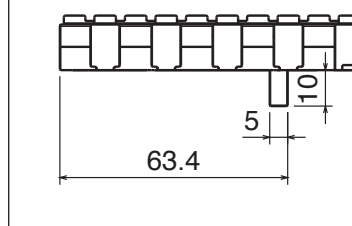
**03 MX - PBT**



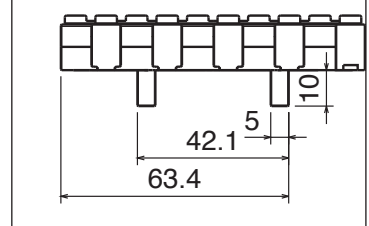
Max working load: 33500 N/m  
Weight: 12,7 kg/m  
Temp. range: dry -40÷120 °C  
wet -40÷60 °C  
Pin material: POM grey  
Hardness: 75 ShA

Also available, on request,  
other materials and widths

VERSION B - WITH 1 POSITIONER



VERSION C - WITH 2 POSITIONERS



Series	Material	Width	Version
5233	*	0085	B
5233	*	0170	B
5233	*	0255	B
5233	*	0340	B
5233	*	0425	B
5233	*	0510	B
5233	*	0595	B
5233	*	0680	B
5233	*	0765	B

Series	Material	Width	Version
5233	*	0850	B
5233	*	0935	B
5233	*	1020	B
5233	*	1105	B
5233	*	1190	B
5233	*	1275	B
5233	*	1360	B
5233	*	1445	B
5233	*	1530	B

Series	Material	Width	Version
5233	*	0085	C
5233	*	0170	C
5233	*	0255	C
5233	*	0340	C
5233	*	0425	C
5233	*	0510	C
5233	*	0595	C
5233	*	0680	C
5233	*	0765	C

Series	Material	Width	Version
5233	*	0850	C
5233	*	0935	C
5233	*	1020	C
5233	*	1105	C
5233	*	1190	C
5233	*	1275	C
5233	*	1360	C
5233	*	1445	C
5233	*	1530	C

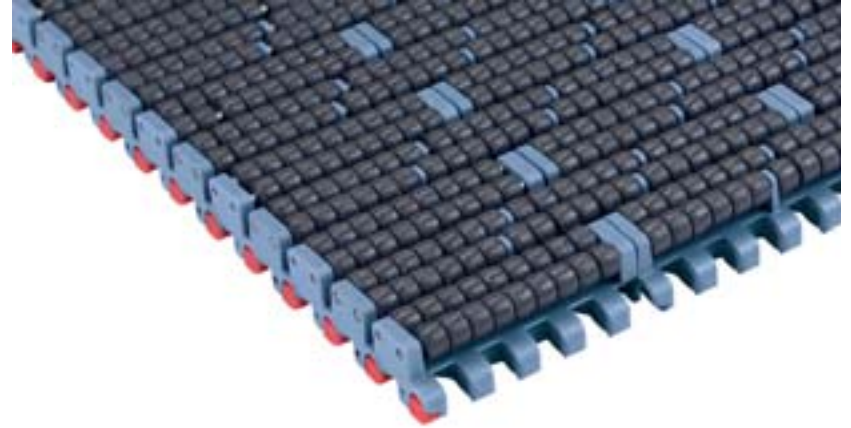


pg 100-101

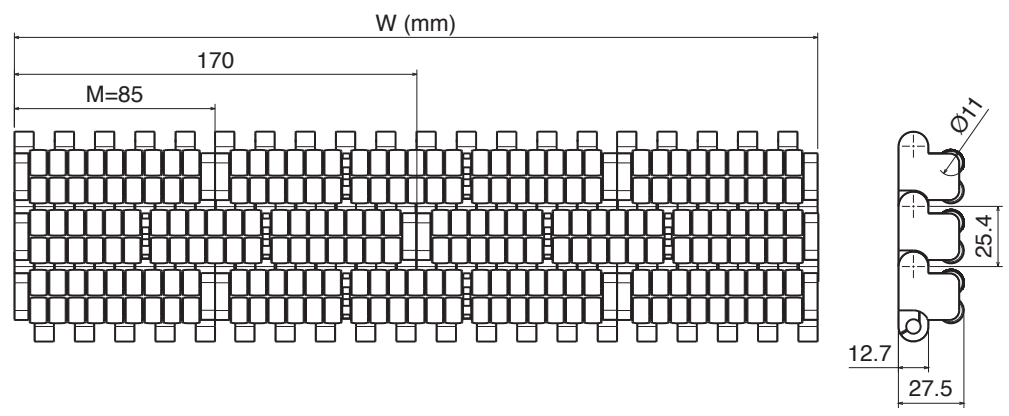
Tappeto Modulare 551 LBP, H=12,7 M=85 / Modular Belt Series 551 LBP, H=12,7 M=85 / Modulare Mattenkette 551 LBP, H=12,7 M=85

Series	Material	Width	Version
5234	*	0085	A
5234	*	0170	A
5234	*	0255	A
5234	*	0340	A
5234	*	0425	A
5234	*	0510	A
5234	*	0595	A
5234	*	0680	A
5234	*	0765	A

Series	Material	Width	Version
5234	*	0850	A
5234	*	0935	A
5234	*	1020	A
5234	*	1105	A
5234	*	1190	A
5234	*	1275	A
5234	*	1360	A
5234	*	1445	A
5234	*	1530	A



VERSION A - STANDARD

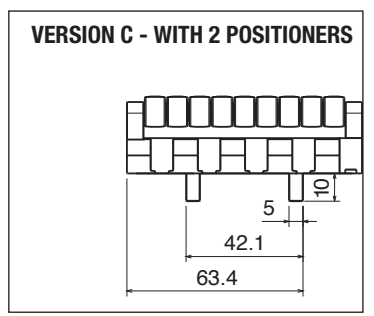
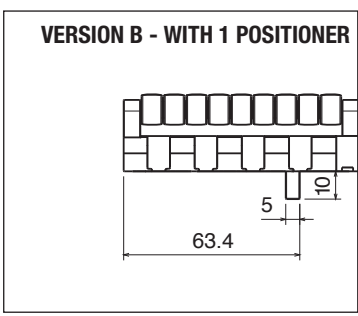


**\* Material**

**01 LFA - Acetal Resin**

Max working load: 41500 N/m  
Weight: 26,9 kg/m  
Temperature range:  
dry -40-80 °C  
wet 1-65 °C  
Pin material: PBT white

*Also available, on request, other materials and widths*

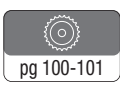


Series	Material	Width	Version
5234	*	0085	B
5234	*	0170	B
5234	*	0255	B
5234	*	0340	B
5234	*	0425	B
5234	*	0510	B
5234	*	0595	B
5234	*	0680	B
5234	*	0765	B

Series	Material	Width	Version
5234	*	0850	B
5234	*	0935	B
5234	*	1020	B
5234	*	1105	B
5234	*	1190	B
5234	*	1275	B
5234	*	1360	B
5234	*	1445	B
5234	*	1530	B

Series	Material	Width	Version
5234	*	0085	C
5234	*	0170	C
5234	*	0255	C
5234	*	0340	C
5234	*	0425	C
5234	*	0510	C
5234	*	0595	C
5234	*	0680	C
5234	*	0765	C

Series	Material	Width	Version
5234	*	0850	C
5234	*	0935	C
5234	*	1020	C
5234	*	1105	C
5234	*	1190	C
5234	*	1275	C
5234	*	1360	C
5234	*	1445	C
5234	*	1530	C





Tappeto Modulare Curvilineo Serie 600, H=12,7 M=85 / Side Flex Modular Belt Series 600, H=12,7 M=85 / Kurvengängige Mattenkette Serie 600, H=12,7 M=85

**\* Material**

**01 LFA - Acetal Resin**



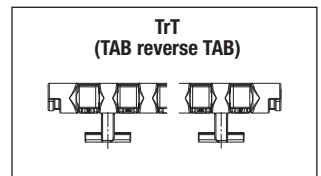
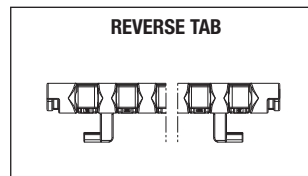
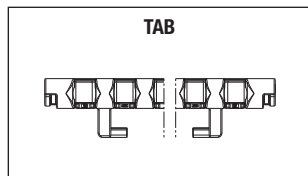
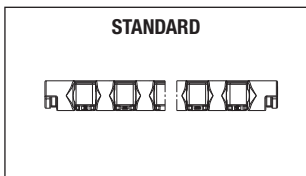
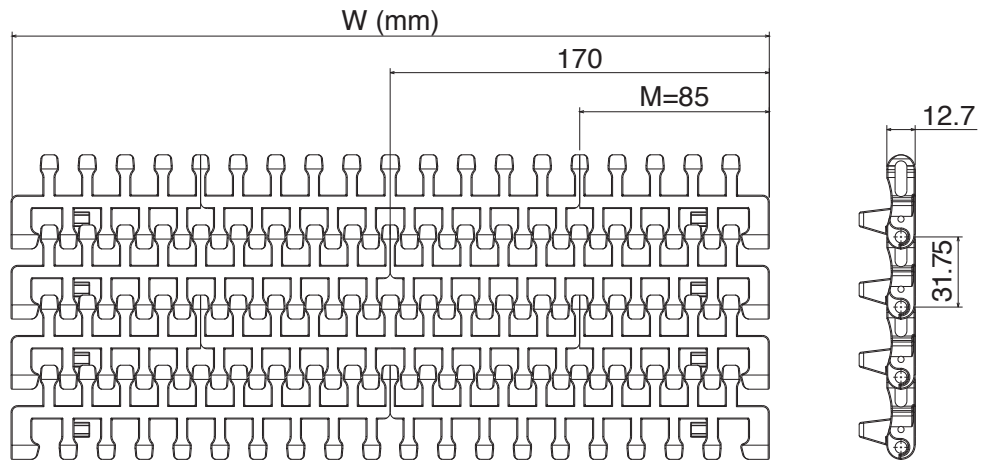
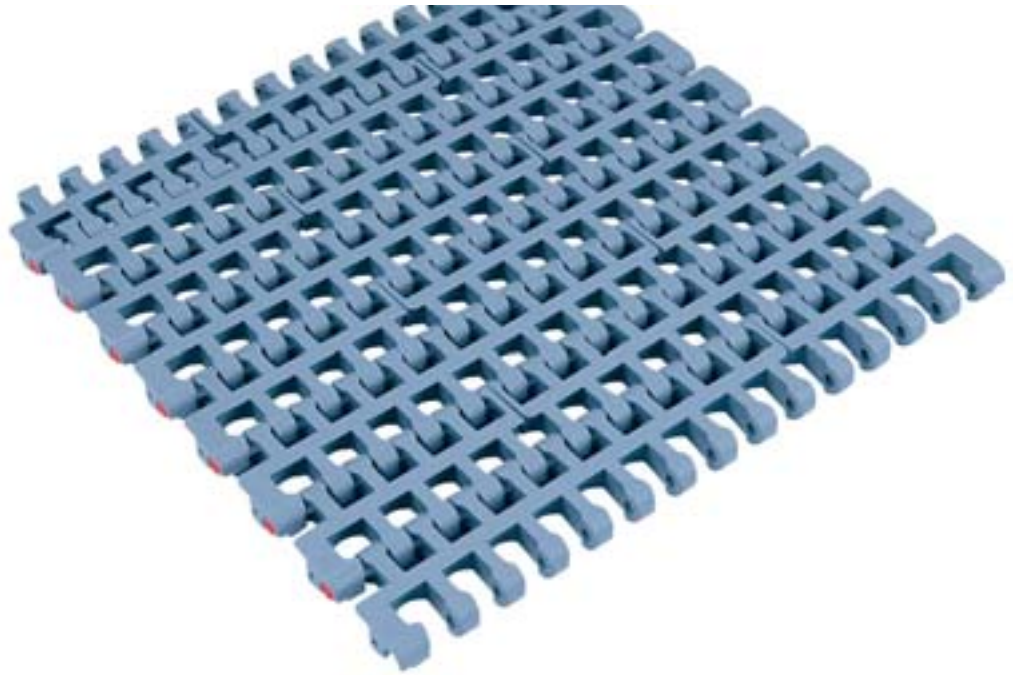
**Max working load:**  
straight 30000N/m  
curve 2500N  
**Weight:** 7,7 kg/m  
**Temperature range:**  
dry -40÷80 °C  
wet 1÷65 °C  
**Pin material:** POM grey

**03 MX - PBT**



**Max working load:**  
straight 24000N/m  
curve 2000N  
**Weight:** 7,5 kg/m  
**Temperature range:**  
dry -40÷120 °C  
wet -40÷60 °C  
**Pin material:** POM grey

Also available, on request,  
other materials and widths



Series	Material	Width	Version	min radius
5421	*	0255	A	408
5421	*	0340	A	545
5421	*	0425	A	680
5421	*	0510	A	840
5421	*	0595	A	980
5421	*	0680	A	1150
5421	*	0765	A	1300
5421	*	0850	A	1450

Series	Material	Width	Version	min radius
5421	*	0255	B	408
5421	*	0340	B	545
5421	*	0425	B	680
5421	*	0510	B	840
5421	*	0595	B	980
5421	*	0680	B	1150
5421	*	0765	B	1300
5421	*	0850	B	1450

Series	Material	Width	Version	min radius
5421	*	0255	C	408
5421	*	0340	C	545
5421	*	0425	C	680
5421	*	0510	C	840
5421	*	0595	C	980
5421	*	0680	C	1150
5421	*	0765	C	1300
5421	*	0850	C	1450

Series	Material	Width	Version	min radius
5421	*	0255	D	408
5421	*	0340	D	545
5421	*	0425	D	680
5421	*	0510	D	840
5421	*	0595	D	980
5421	*	0680	D	1150
5421	*	0765	D	1300
5421	*	0850	D	1450


Raised Rib Belt Series 500 RR

Series	Material	Width
1348	*	0060
1348	*	0063
1348	*	0066
1348	*	0069
1348	*	0072
1348	*	0075
1348	*	0078
1348	*	0081
1348	*	0084
1348	*	0087
1348	*	0090
1348	*	0093
1348	*	0096
1348	*	0099
1348	*	0102
1348	*	0105
1348	*	0108
1348	*	0111
1348	*	0114
1348	*	0117
1348	*	0120




**\* Material**

**02 PP - Polypropylene**



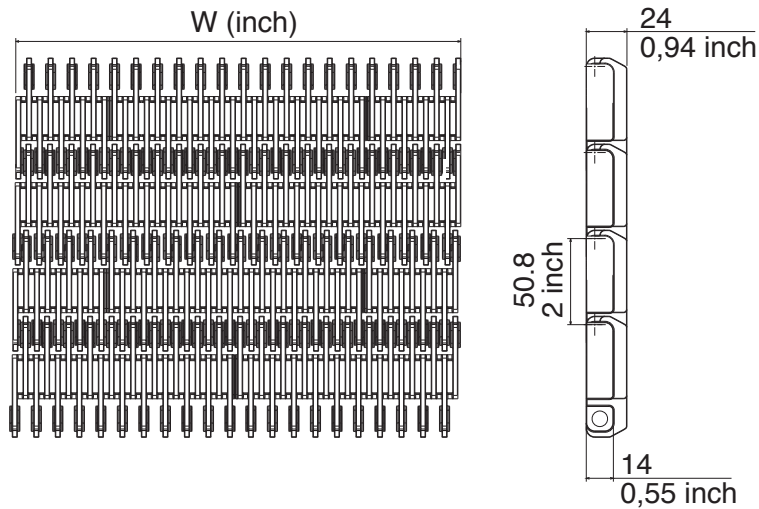
Max working load: 30000 N/m  
Weight: 10,65 kg/m  
Temperature range: 4÷104° C  
Pin material: PP grey

**11 PPX - Polypropylene**



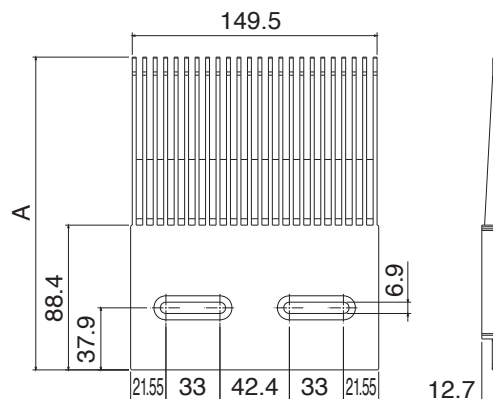
Max working load: 30000 N/m  
Weight: 10,65 kg/m  
Temperature range: 4÷104° C  
Pin material: PP grey

*Also available, on request, other materials and widths*



Pettine / Combs / Fingerplatte

Part	Article-Nr.	A
389	38901	152
389	38902	190

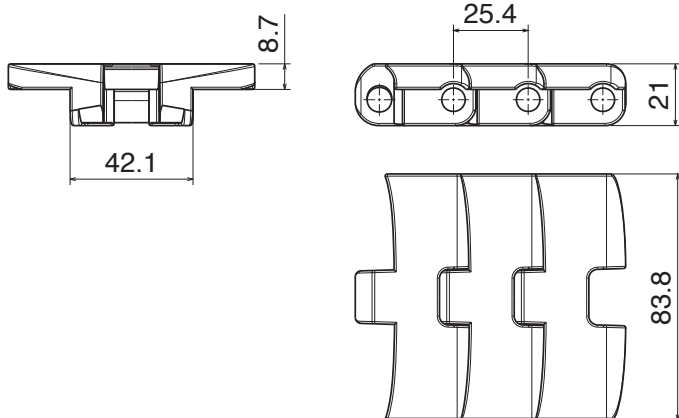






Catena curvilinea magnetica / Sideflexing magnetic belt/chain / Kurvengängige Magnetische Mattenkette

Part	Article-Nr.	Ref.
1151	11510103	K330



**\* Material**

**01 LFA - Acetal Resin**



Max working load: 2000 N/m  
Weight: 1,75 kg/m  
Sideflex radius: 500 mm  
Pin material: Ferritic SS

**03 MX - PBT**



Max working load: 1600 N/m  
Weight: 1,70 kg/m  
Sideflex radius: 500 mm  
Pin material: Ferritic SS

Also available, on request,  
other materials and widths

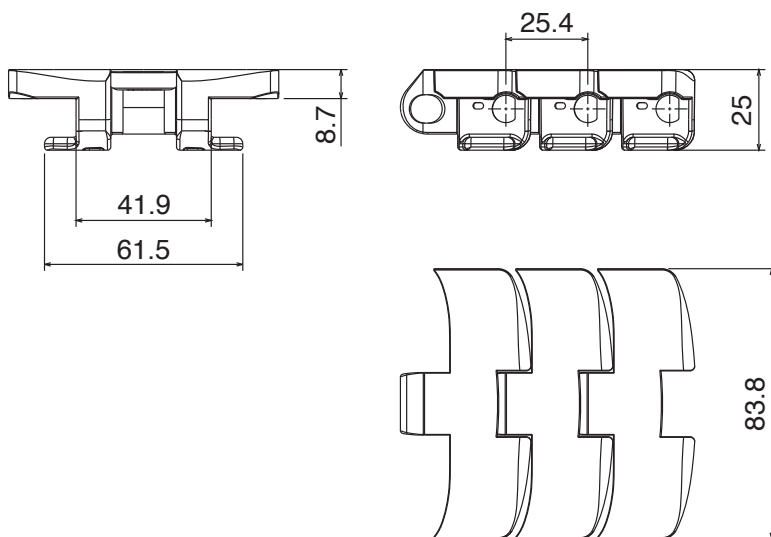
**Magnetic System**

pg 102-103



Catena curvilinea / Sideflexing belt/chain / Kurvengängige Mattenkette

Part	Article-Nr.	Ref.
1152	11520103	K330



**\* Material**

**01 LFA - Acetal Resin**



Max working load: 2000 N/m  
Weight: 1,85 kg/m  
Sideflex radius: 500 mm  
Pin material: Martensitic SS

**03 MX - PBT**



Max working load: 1600 N/m  
Weight: 1,80 kg/m  
Sideflex radius: 500 mm  
Pin material: Martensitic SS

Also available, on request,  
other materials and widths

**Tab System**

pg 102-103



**Movex S.r.l. Industrial Innovations**  
Via Tasso (angolo Via Noli Marenzi)  
24060 Telgate (Bergamo) - Italy  
Phone +39.035.8359711  
Fax +39.035.4420873



**Movex GmbH Industrial Innovations**  
Alfred-Nobel-Strasse, 4  
68519 Viernheim - Germany  
Phone +49.(0)6204.9375-0  
Fax +49.(0)6204.9375-55



**Movex Industrial Innovations UK Ltd.**  
Unit 7, Dene Valley Business Centre  
Kineton CV35 0JD, Warwickshire - UK  
Phone +44.1926.642933

**Movex France - Sales Office**  
Phone +33.06.06.81.99.76  
Fax +33.09.70.62.50.98

**Movex Nederland - Sales Office**  
Phone +31.(0)630.99.48.50

**Movex Singapore - Sales Office**  
Phone +65.9815.0482