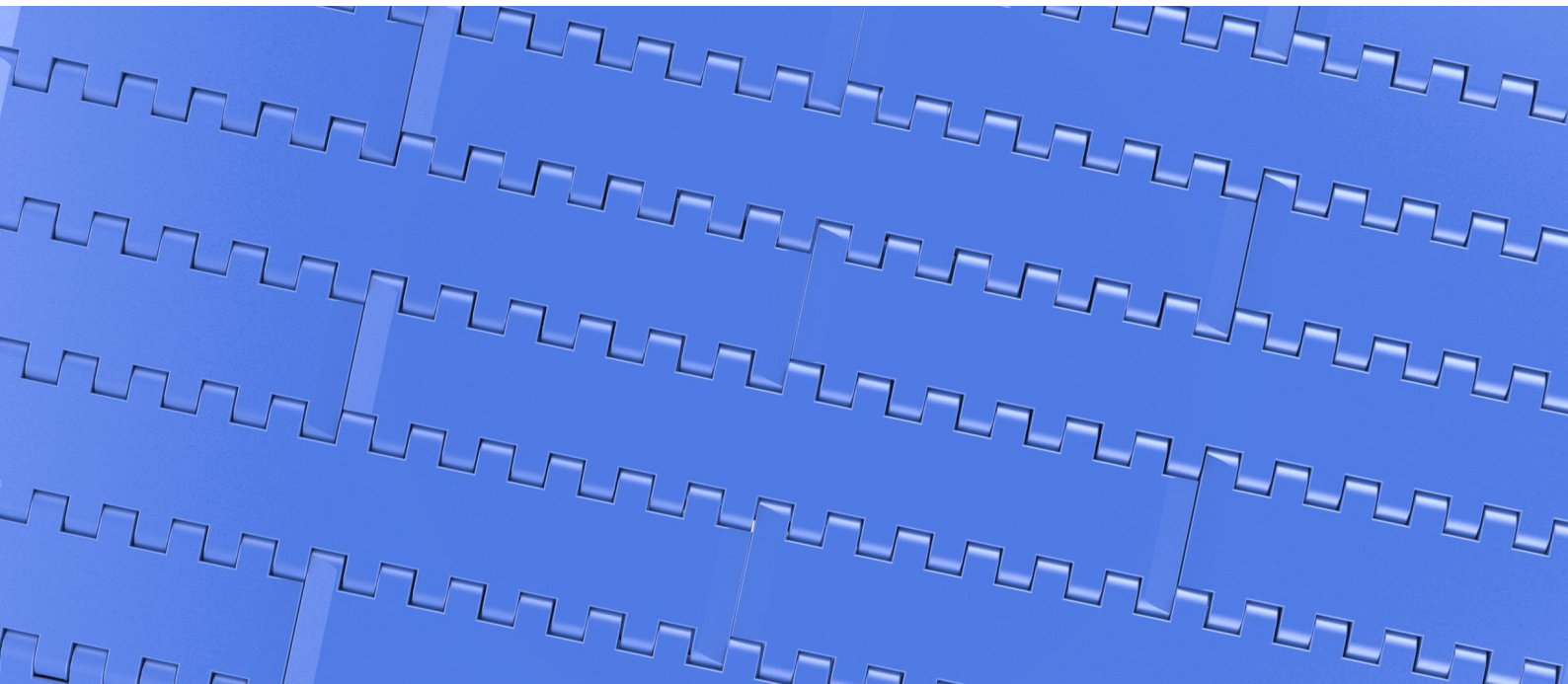
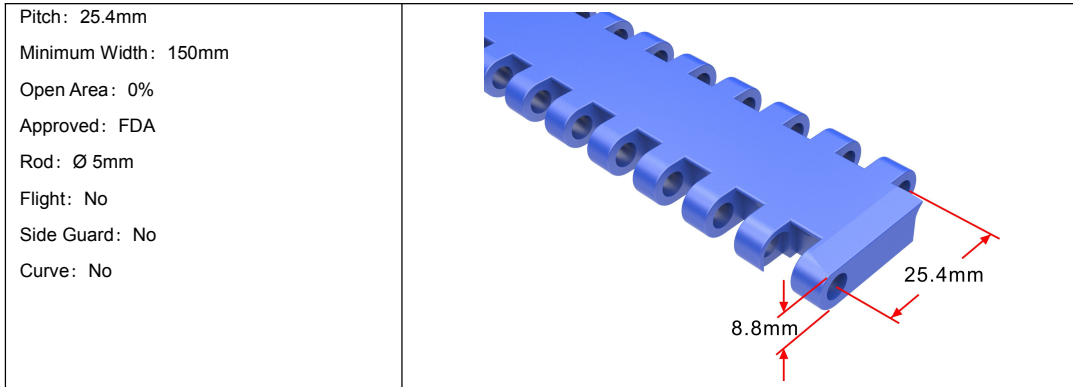


## **HS-202A Technical Data Sheet**





### Data

Belt Material	Belt Strength			Temperature		Belt Weight
	Straight		Curve	°C (min.)	°C (max.)	(Kg/M <sup>2</sup> )
	Kg/M(BW)	N/M(BW)				
Polypropylene	2000	20000	--	1	100	5.4
Acetal	3500	35000	--	-40	80	8.3

**BW – Belt Width**

### Color Table

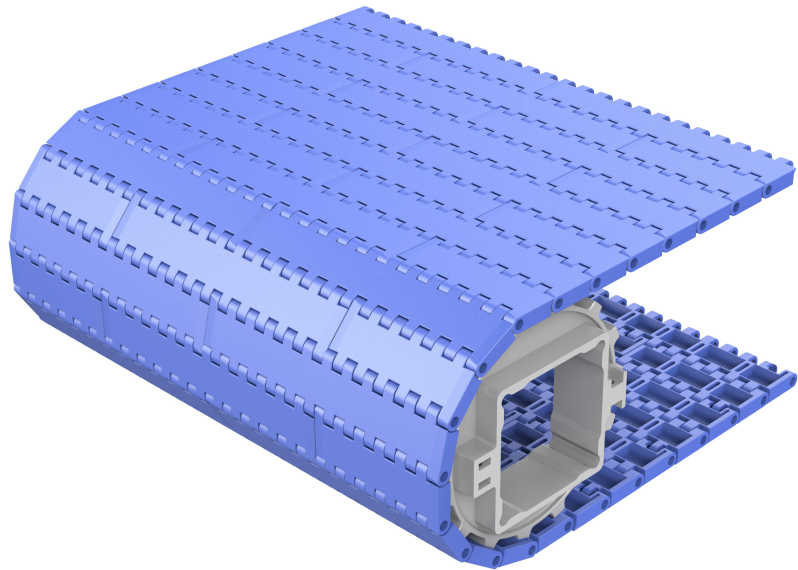
Polypropylene					Polyethylene					Acetal					Nylon									
W	G	N	DB	B	W	G	N	DB	B	W	G	N	DB	B	W	G	N	DB	B					
●	●									●										●				

W-White, G-Gray, N-Nature, DB-Dark brown, B-Blue

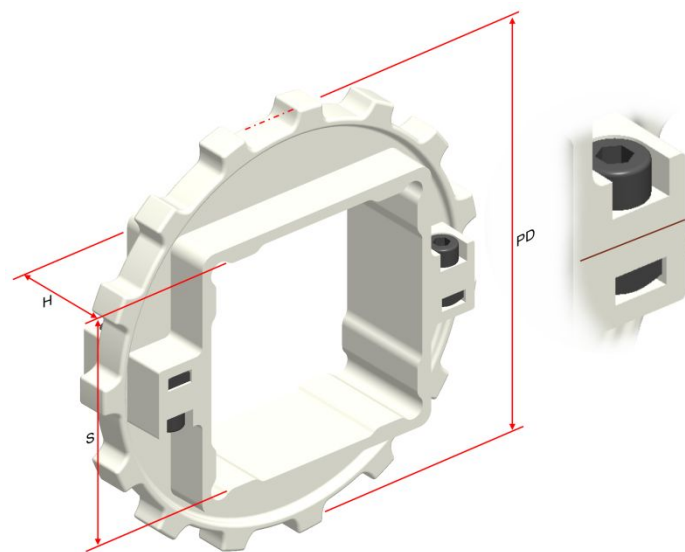
### Friction Table

Belt Material	Friction Wear strips & Products							
	UHMW	HDPE	Steel	Glass	SUS	Plastic	Cardboard	Aluminum
Polypropylene	0.32	0.24	0.15	0.09	0.13	0.08	0.15	0.25
Polyethylene	0.13	0.11	0.26	0.19	0.31	0.16	0.21	0.41
Acetal	0.11	0.09	0.27	0.16	0.26	0.15	0.19	0.28
Nylon	0.18	0.13	0.25	0.16	0.26	0.16	0.19	0.27

SUS – Stainless Steel



<b>Conveyor Frame Dimensions</b>					<b>Unit : mm</b>
<b>No. Teeth</b>	<b>A ( Min.)</b>	<b>B ( Min.)</b>	<b>C ( Max.)</b>	<b>D ( Min.)</b>	<b>T</b>
15	56	50	70	250	13



<b>Sprocket Dimensions</b>					<b>Unit: mm</b>
<b>No. Teeth</b>	<b>PD</b>	<b>S</b>	<b>D</b>	<b>H</b>	<b>K</b>
15	122	65	--	29	--